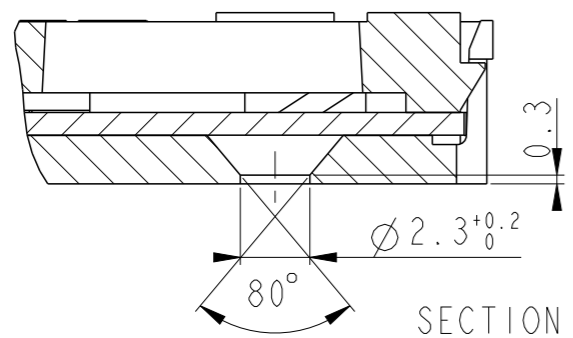
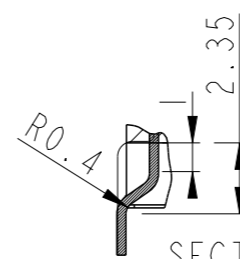
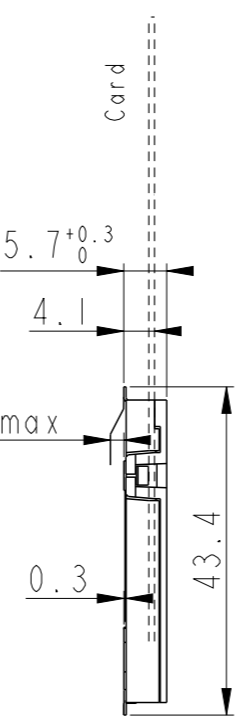
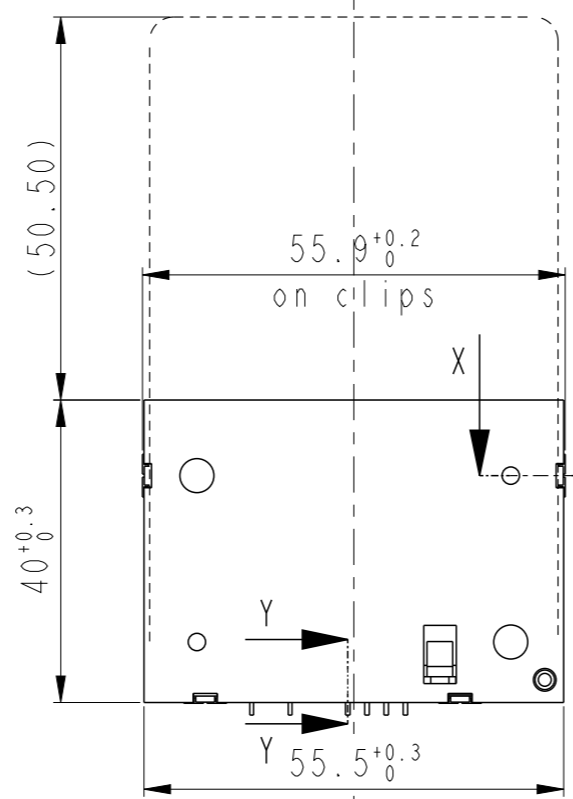


SCALE 1:1 CUT IN LOCK ONLY FOR COVER WITH LCP



SECTION X-X SCALE 4:1



SECTION Y-Y SCALE 4:1

GENERAL :
 High cycle life duration smart card connector with landing type contacts mechanism. The landing type connector also provides the feature of recessed contacts when card is not inserted which protects them against vandalism.
 Smart card for reference purposes only.

ELECTRICAL PROPERTIES:
 Insulation resistance : > 1000MΩ
 Dielectric withstanding voltage : >750 Vrms
 Current carrying capacity : Min 10μA, Max 1A
 Contact resistance : < 100mΩ

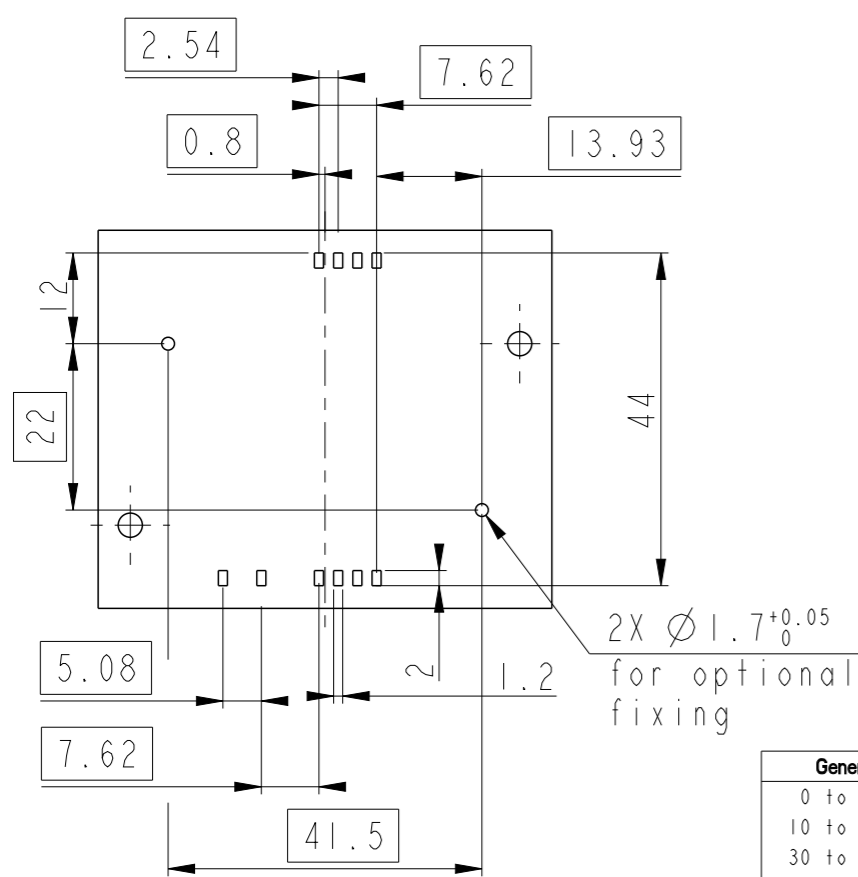
MECHANICAL PROPERTIES :
 Operating force : Insertion : F < 10N
 Withdrawal : 1 < F < 10N
 Contact Normal force : 0.2 < F < 0.3 for 0.6mm of deflection
 Durability : 200,000 mating cycles

MATERIAL :
 Head reader : High temp. Thermoplastic, Black, Rated UL94V0
 Cover : SEE TABLE, Rated UL94V0
 Contacts : Copper alloy,
 Plating : Nickel min. all over
 Gold/Equivalent PdNi on contact area
 Matte tin min. on solder tails

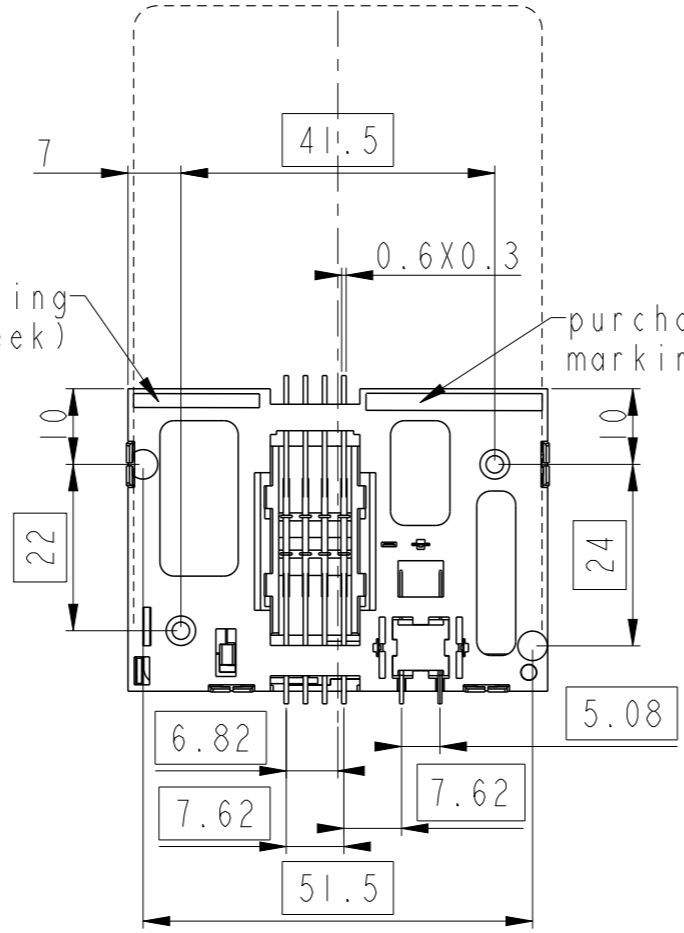
ENVIRONMENT :
 Operating temperature : -40°C / +85°C
 Climatic conditions : UTE 93-421

PACKAGING :
 Plastic cavity tray

Recommended PCB Layout (Component side)



manufacturing date (year-week) purchase number marking



LEAD FREE VERSION:

"This product meets European Union Directives and other country regulations as described in GS-47-0004"

The housing will withstand exposure to 260°C peak temperature for 10seconds in a convection reflow oven.

PART NUMBER	COVER MATERIAL	MARKING	LEAD FREE VERSION
7311E0225S01	LCP (BLACK)	NO	7311E0225S01LF
7411E0225S01	PA46 (GREY)	YES	7411E0225S01LF
7711E0225S01	LCP (BLACK)	NO	7711E0225S01LF



Copyright FCI.

spec ref	--	dr	P-Mathew Nebu	2011/05/04	projection	mm	size	A3	scale	1:1
tolerance std	ISO 406 ISO 1101	eng	P-Mathew Nebu	2014/03/03			ecn no	ELX-15846-1		
	TOLERANCES UNLESS OTHERWISE SPECIFIED	chr	-	rel level			Released			
General Tolerances	surface	ISO 1302	linear	angular	product family	MOBILE I/O	cat. no.	-		
0 to 10mm: ±0.1mm 10 to 30mm: ±0.15mm 30 to 60mm: ±0.2mm 60 and more: ±0.3mm	ISO 1302	linear	0.X ± 0.XX ± 0.XXX ±	angular	0° ±	www.fci.com	title	8 POS. SMT E02 WITHOUT PEGS SMART CARD READER VXX 27819		
							dwg no	VJW54001		
							rev	J		
							Product - Customer Drw	sheet 1 of 1		

Mouser Electronics

Authorized Distributor

Click to View Pricing, Inventory, Delivery & Lifecycle Information:

[Amphenol:](#)

[7311E0225S01LF](#) [7411E0225S01LF](#)