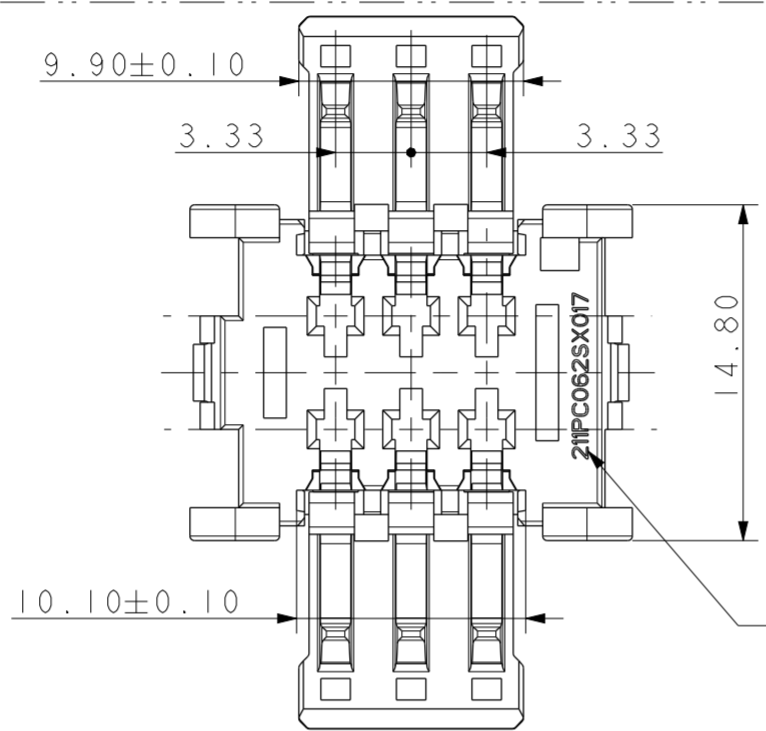
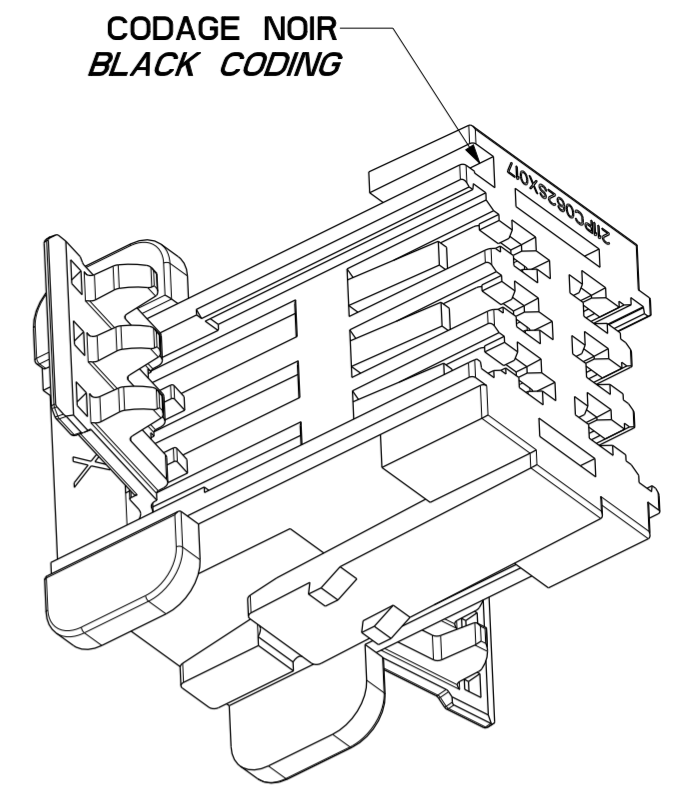


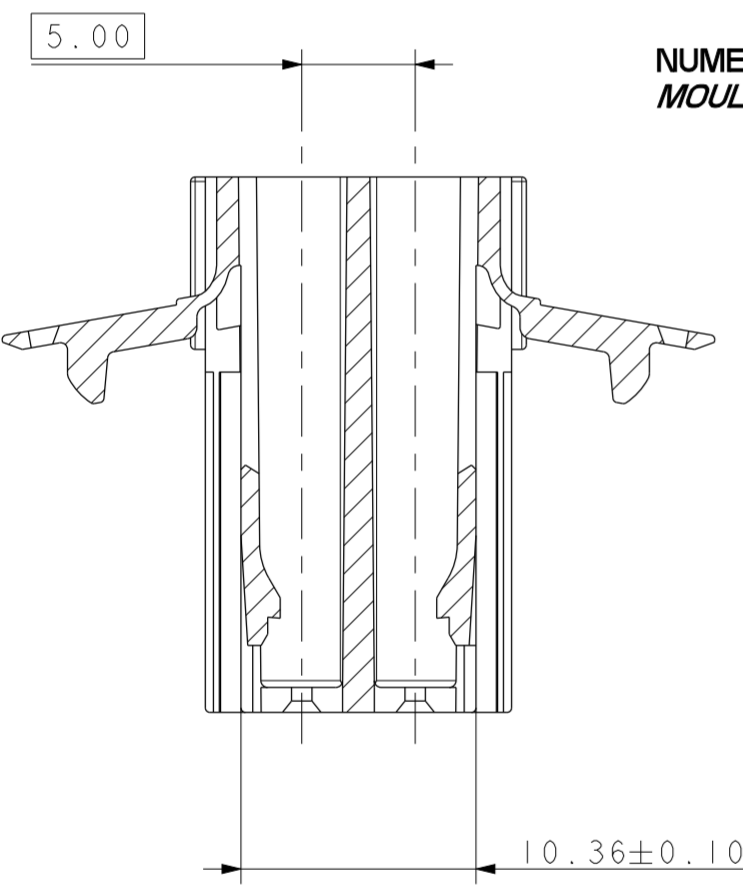
SANS WITHOUT	VIOLET PURPLE		2.70±0.10	1.55 ^{+0.25} _{-0.20}	211 PC 06 2 S 7017	B	10820503	01
5	MARRON BROWN	1.30±0.10		1.55 ^{+0.25} _{-0.20}	211 PC 06 2 S 1017	B	10820502	01
4	BLEU BLUE	1.00±0.10	2.70±0.10	1.55 ^{+0.25} _{-0.20}	211 PC 06 2 S 6017	B	10820501	01
3	GRIS GREY	1.30±0.10		1.55 ^{+0.25} _{-0.20}	211 PC 06 2 S 8017	B	10820500	01
2	NOIR BLACK	1.00±0.10	2.70±0.10	1.55 ^{+0.25} _{-0.20}	211 PC 06 2 S 0017	B	10788770	02
1	BLANC WHITE	1.30±0.10		1.55 ^{+0.25} _{-0.20}	211 PC 06 2 S 9017	B	10820499	01
CODAGE CODING	COULEUR COLOR	A	B	C	Ref MVL	Rev	Ref DELPHI	Rev

NOTA : LE NUMERO DU CODAGE CORRESPOND A UN EVIDEMENT DE PROFONDEUR 5.80
 NOTE : THE CODING NUMBER CORRESPOND TO AN HOLLOWING OUT WITH A DEPTH OF 5.80

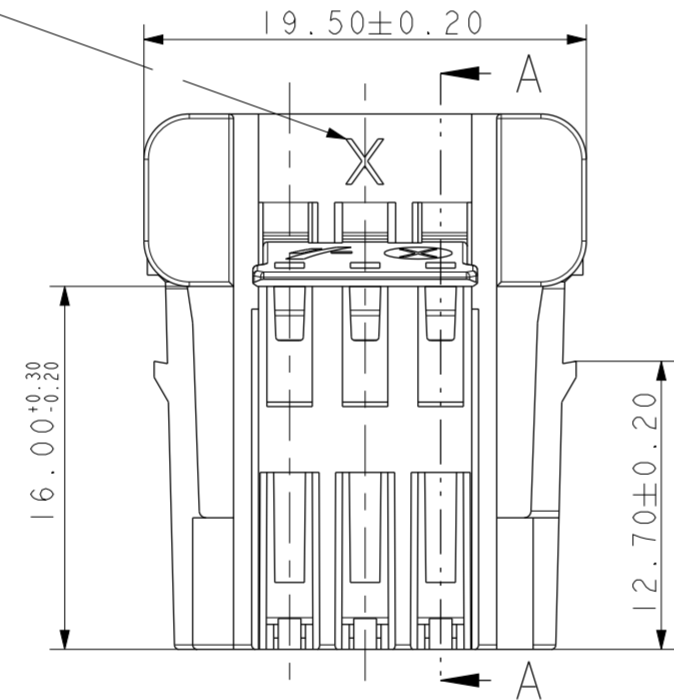


REFERENCE MVL
MVL'S REFERENCE

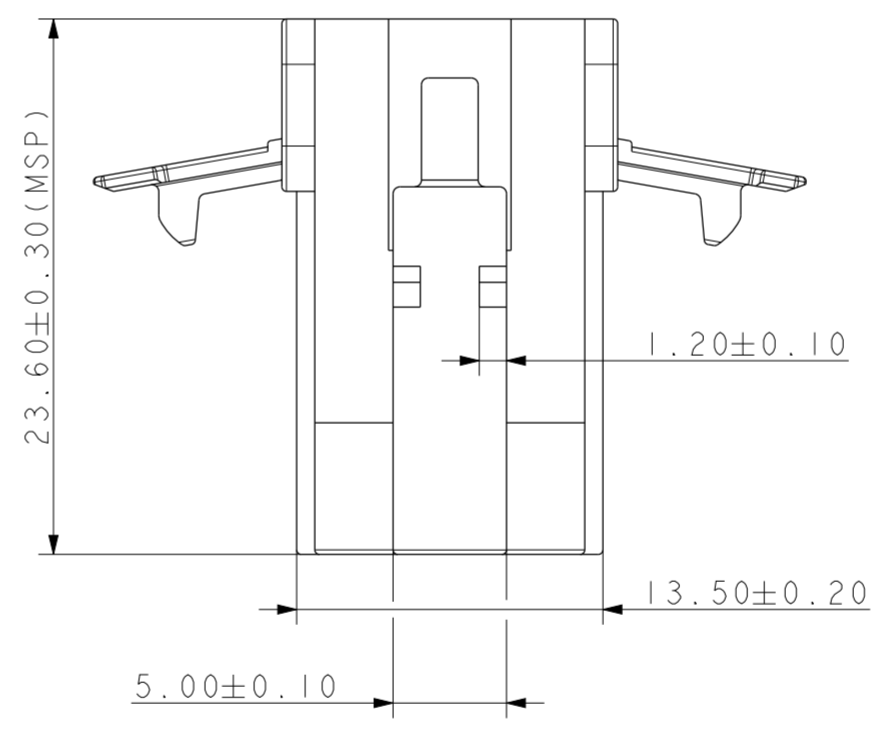
COUPE A-A
SECTION A-A



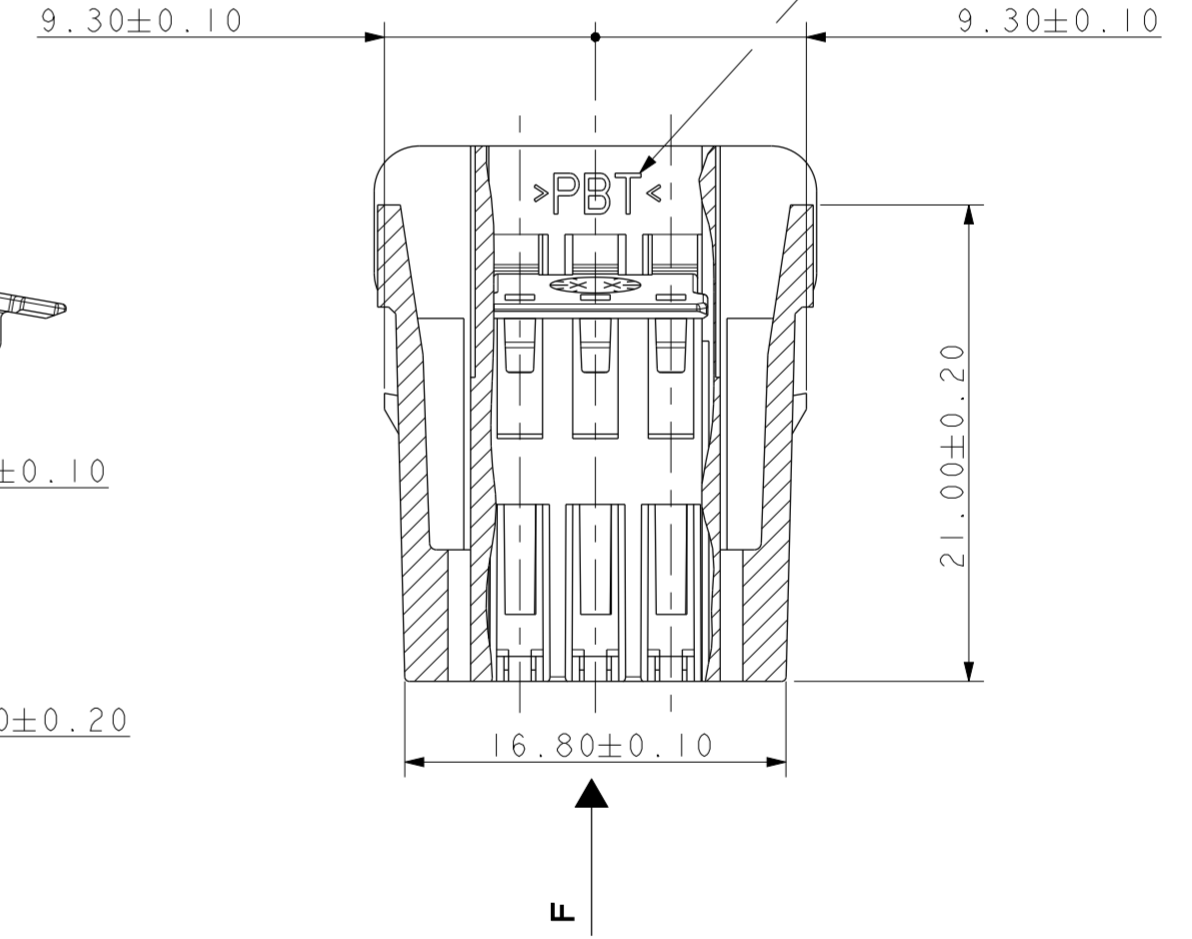
NUMERO EMPREINTE
MOULD CAVITY NUMBER



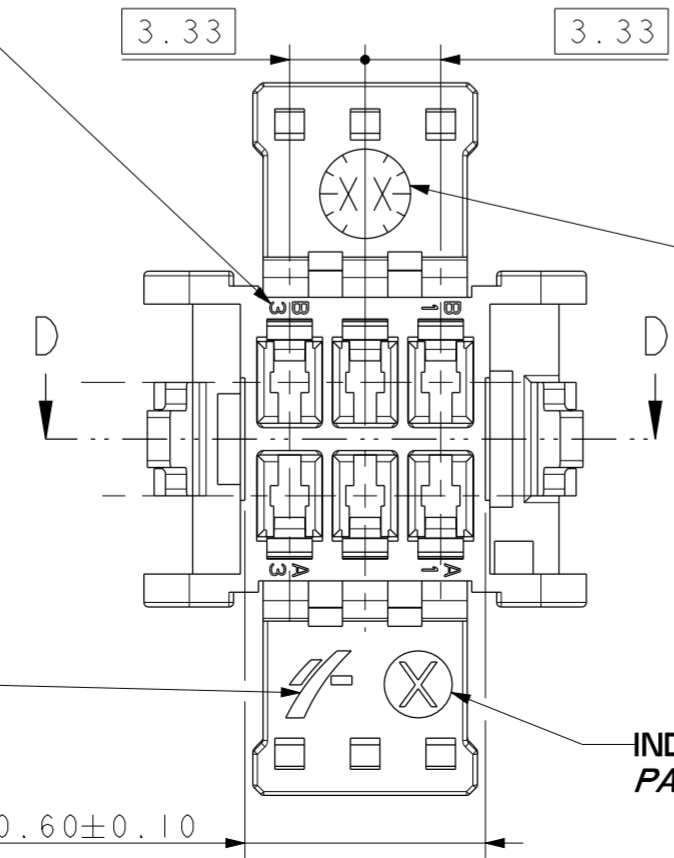
COUPE PARTIELLE D-D
SECTION D-D



MATIERE
MATERIAL



REPERE ALVEOLE
CAVITY POSITIONING



DATEUR Ø 4 mm
DATE STAMP Ø 4

SIGLE MVL
LOGO MVL

INDICE PIECE
PART ITEM

ECN-NO. NUMERO ECH		POSITION POSITION		CHANGE DESCRIPTION MODIFICATION		DELPHI P/N ADDED	
PRODUCT SPEC. SPECIF. PRODUIT	PACKAGING SPEC. SPECIF. EMBALLAGE	APPLICATION SPEC. SPECIF. APPLICATION	COPYRIGHT DELPHI CORPORATION AND/OR ITS AFFILIATES. ALL RIGHTS RESERVED. REVISED THIS DRAWING IS THE PROPERTY OF DELPHI CORPORATION AND CONTAINS DELPHI CONFIDENTIAL INFORMATION. THE REPRODUCTION, DISTRIBUTION AND UTILIZATION OF THIS DOCUMENT OR ITS RELATED CAD DATA, AS WELL AS COMMUNICATION OF ANY CONTENT TO OTHERS, WITHOUT EXPRESS AUTHORIZATION, IS PROHIBITED.				
TOLERANCES TOLERANCES	±0.2	±2°	MATERIAL : MATIERE :	SEE TABLE	SURFACE FINISH ETAT DE SURFACE	DELPHI CAD SYSTEM	
COUNTERPART No. CONTRE-PARTIE N°	COLOUR : COULEUR :	SEE TABLE	DELPHI PACKARD ELECTRICAL/ELECTRONIC ARCHITECTURE EPERNON, FRANCE				
DO NOT MEASURE DRAWING NE PAS PRENDRE DE COTES	TOOL NO. OUTIL N°	ECO Loc. Code CODE B.E.	FE	DIMENSION IN MILLIMETERS DIMENSIONS EN MILLIMETRES		Dwg size FORMAT A2	
CREATED BY CREE PAR	DATE DATE	NAME NOM	TITLE DESIGNATION	DRAWING NUMBER REF. PLAN		REV. IND.	APPROVAL LEVEL NIV. D'APPROBATION
MODIFIED BY MODIF. PAR	20130514	F FAURIE	PROJECT PROJET	211FT0331		C	SHEET FEUILLE 1 of 1 sur 1
CHECKED BY VERIF. PAR	20130514	S LACOTE	PROJECT PROJET	6 WAY WITH FLAP			SCALE ECH. 3:1
APPROVED BY APPR. PAR	20130514	Pascal MENARD	ESR NO. NUMERO ESR	FRA-0844	CAT. NO. NUMERO CAT.		
FILE NAME NOM DE FICHIER	211FT0331						

Mouser Electronics

Authorized Distributor

Click to View Pricing, Inventory, Delivery & Lifecycle Information:

[Aptiv:](#)

[211PC062S0017](#)