

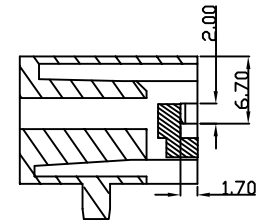
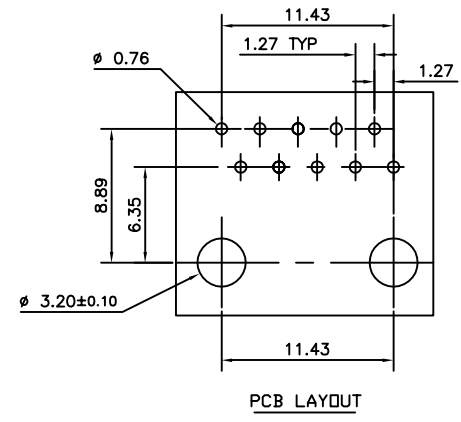
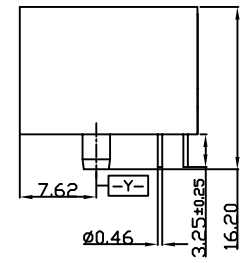
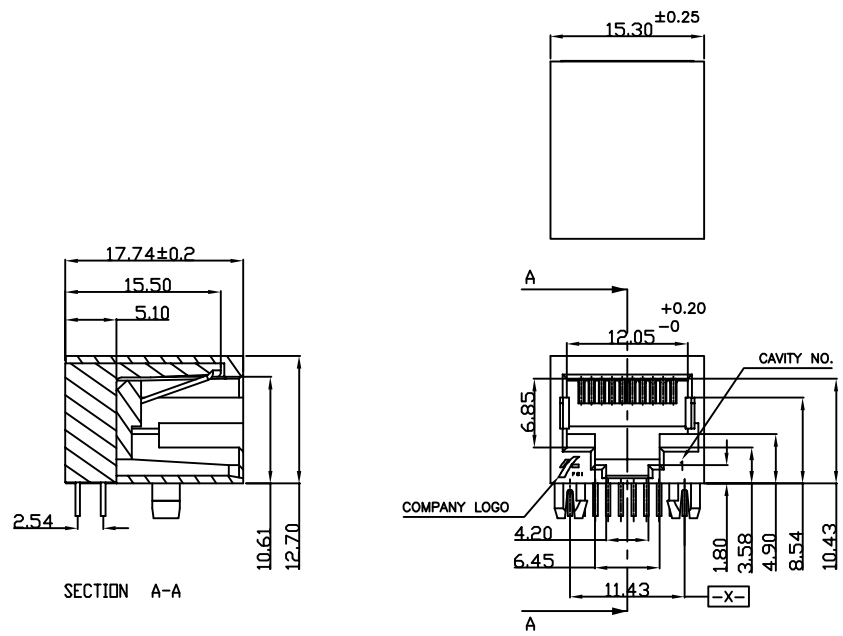


Copyright FCI

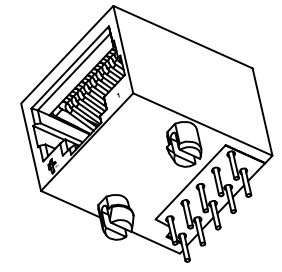
1.LF Products meet European Union Directives and other country Regulations as described in GS-22-008.

2.The Housing will withstand exposure to 260° peak temperature for 3.5 sec in a wave solder application with a 1.6mm Min thick circuit board. Slight deformation of snap pegs may occur at 260-265°c which will not affect the function of the product.

3.Lead Free or ROHS Directive labelling to be provided as per GS-14-920 for Lead Free version.



PART NO. 54602-X10 LF
LEAD FREE
6-0.76 μ Au.Sel.
7-Au Flash.Sel.
8-1.27 μ Au.Sel.
9-0.38 μ Au.Sel.



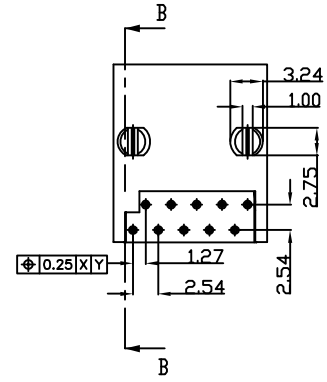
TECHNICAL SPECIFICATION

- Insulation Resistance - 500 M Ohms min.
- Dielectric Strength - 1000 V rms , 60 Hz.
- Contact Resistance - 20 milli,Ohms. max.
- Current Rating - 1.5 amp DC
- Maximum Total Mating Force - 35 N
- Retention Force Between Plug & Jack - 22.5 N min.
- Durability - 500 mating cycles
- Temperature Range -25 / + 90 Deg C.

Material:
Housing : PBT 30% Glass Filled UL 94 V-0 Black

The housing will withstand exposure to 260-265°C for 3.5 seconds in a wavesoldering application. Use protective adhesive tape (Kapton or Teflon) or protective metallic devices on the areas which are directly exposed to wave soldering as it is used in classical leaded wave soldering.

Contact : Ø0.46mm Phosphor Bronze
Plating :
Active zone : Gold over nickel on contact area
Termination zone : SnPb over Nickel (Leaded vesion)
: Matte Tin over nickel (Lead Free version)



SECTION B-B

NOTES:

- 1. ALL WIRES MUST BE STRAIGHT TO THE SHELF

mat'l. code -		surface ISO 1302 ✓		tolerance ISO 406 ISO 1101		projection		product family MODJACK	
D 106-0123 HVN 2006-07-21		tolerances unless otherwise specified		±0.1		MM		title	
E 107-0039 HVN 2007-03-16		angles		linear		scale -		10 POL SHALLOW LATCH CONNECTOR (PCB.MODJACK)	
F 107-0122 HVN 2007-09-19		±1°						dwg no	
		dr MINI K VANDANATH 2003-04-04		engr HIRAN.V.N 2003-04-04		chr HIRAN.V.N 2007-09-19		sheet 1 of 1 size 5	
		chr HIRAN.V.N 2007-09-19		appd HIRAN.V.N 2007-09-19		FCI		A3	
sheet index		revision sheet		F 1		type Product Customer Drawing		C-BMJ-0101	