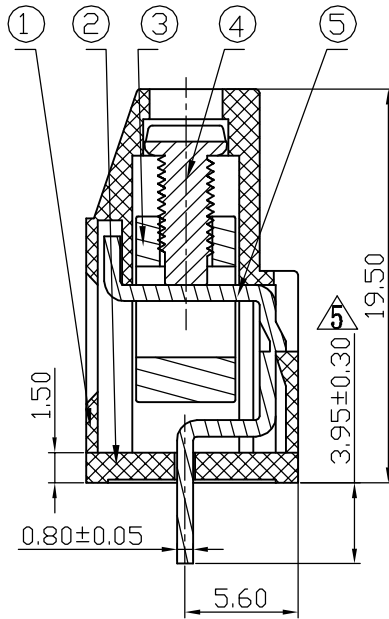
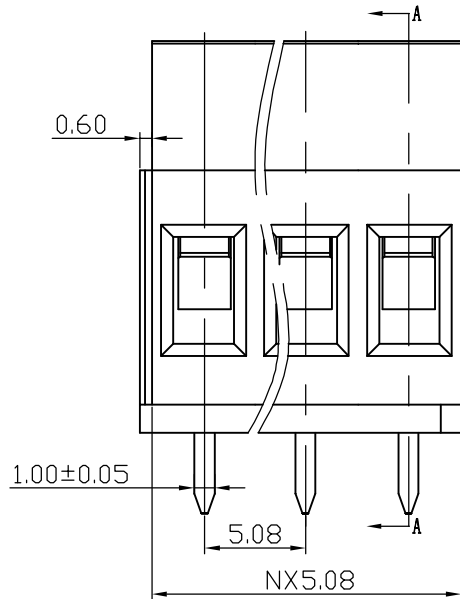
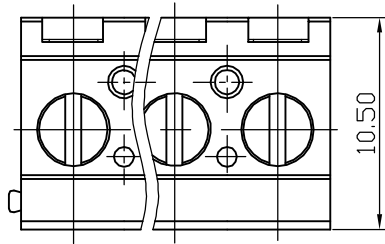


REVISION RECORD				
REV	ECD	DESCRIPTION	DRFT	DATE
△		Drawing Revise	Haoyh	03/30/06
△		增加VDE刻字	CSX	01/12/07
△		出脚由3.85改为3.95±0.30	CSX	02/03/07
△		UL标志中去掉小R	CSX	08/09/07

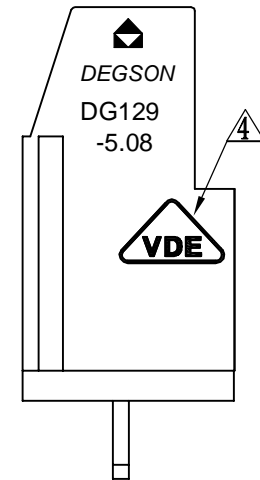
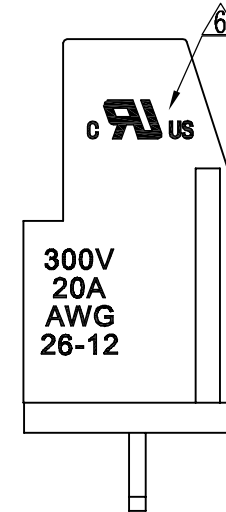
Notes:

1. Pitch: 5.08mm
2. Rated voltage: 300V
3. Rated current: 20A
4. Insulation resistance: 5000MΩ/DC1000V
5. Withstanding voltage: AC2000V/1Min
6. Wire range: 26-12AWG 2.5mm²
7. Temp. Range: -40°C~+105°C
8. Torque: 5.1kgf.cm
9. Undimensioned Tolerances:

Pitch range in mm		Normal dimension range in mm				—
to 6	over 6 to 10	over 10 to 24	over 24 to 30	over 30 to 90	over 90 to 200	over 200 to 480
±0.10	±0.15	±0.25	±0.1	±0.2	±0.3	±0.5
						±0.7
						0.05/0.10



SECTION A-A



5	DG129-Pin header	4029B00010 (H)	XX	Barss	SnCe
4	DG129-Screws-M3	S000001430 (H)	XX	Steel	Cr Zn
3	DG129-Cage	X000000200 (H)	XX	Brass	Ni plated
2	DG129-5.08-Cover	4042COYXXA (H)	1	PA66	UL94V-0

ITEM	NAME OF PART	NO. OF PART	Q'TY	MATERIAL	NOTES
1	DG129-5.08-Housing	4042A0YXXA (H)	1	PA66	UL94V-0

MM (INCH)	DFTD DZJ	DATE 10/03/05*
TOLERANCES EXCEPT AS NOTED	CHKD	DATE
	MFD	DATE
MM	APPVL	DATE
0 ±		
.00 ±		
.000 ±		
ANGLES ± 1°	G.E :	
THIRD ANGLE PROJECTION	FINISH:	
	SCALE : 1:1	

宁波高正电子有限公司 DEGSON ELECTRONICS CO., LTD	
NAME	
DG129-5.08-XXP-1Y-00A(H)	
DRAWING NO. DG129-5.08-E02	SIZE A3
/PART NO.	REV T6 08/09/07
DO NOT SCALE DRAWING	SHEET 1 OF 1