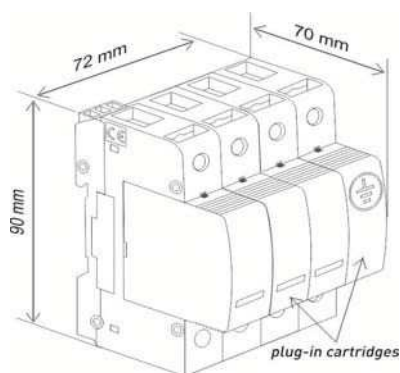
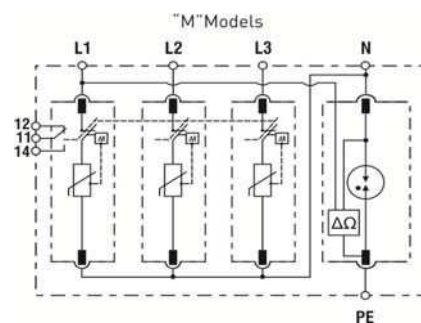


SURGE-TRAP® PLUGGABLE STPT2-40K275V-4P-TE (-M)

Data Sheet



Dimensions

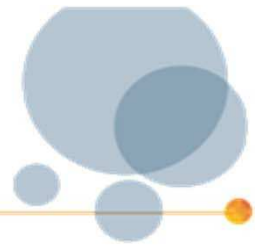


Internal configuration

Catalog number		STPT2-40K275V-4P-TE	STPT2-40K275V-4P-TE-M
Reference number		83020185	83020186
Remote indication		No	Yes
Designation according to EN 61643-11			Type 2
Designation according to IEC 61643-11			Class II
Nominal voltage AC 50-60 Hz	Un [V]		230/400
Maximum continuous operating voltage (L-N)	Uc (L-N) [V]		275
Maximum continuous operating voltage (N-PE)	Uc (N-PE) [V]		265
Maximum discharge current (8/20) (L-N)	I _{max} (L-N) [kA]		40
Nominal discharge current (8/20) (L-N)	I _n (L-N) [kA]		20
Voltage protection level (L-N) at I _n	Up (L-N) [kV]		≤ 1,3
Voltage protection level (N-PE) at I _n	Up (N-PE) [kV]		≤ 1,5
Maximum back-up fuse	A [gL]		125
Short circuit withstand	I _{cc} [kA]		25
Response time (L-N)	t _A (L-N) [ns]		25
Response time (N-PE)	t _A (N-PE) [ns]		100
Following current (N-PE)	I _{fi} [A]		100
Visual end of life indication			Yes
Dynamic thermal disconnection (L-N)			Yes
Insulating material & flammability class			PA66 CT1; V-0
Enclosure			IP 20

SURGE-TRAP® PLUGGABLE STPT2-40K275V-4P-TE (-M)

Data Sheet



SAFEground®		
Catalog number		STPT2-40K275V-4P-TE
Reference number		83020185
		STPT2-40K275V-4P-TE-M
		83020186
Product standards		EN 61643-11 ; EN 61557-3 ; EN 61010:1
Power consumption	[VA]	1,6
Operating Temperature	[°C]	-30...+80
System leakage capacitance (N-PE)	Ce [μF]	≤1
Steady green indication		Surge protection has maximum effectiveness
Steady yellow indication		Surge protection without maximum effectiveness
Steady red indication		Surge protection is ineffective
Flashing red indication		Open earth
Flashing yellow indication		Wrong (L-N) wiring
Flashing red/green indication		Permanent overvoltage >275 V
Flashing green/yellow indication		Permanent undervoltage <195 V
Flashing yellow/red indication		High voltage (N-PE)