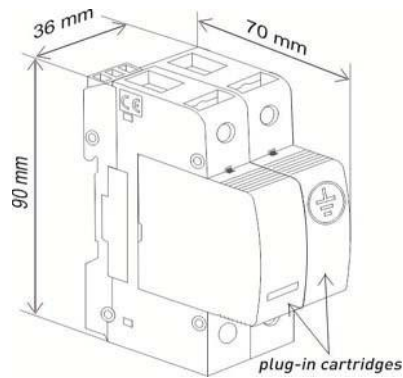
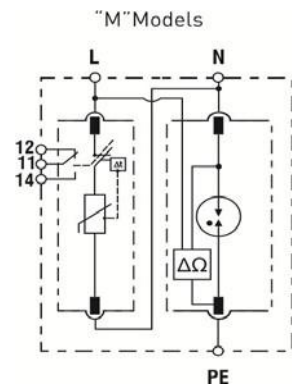


# SURGE-TRAP® PLUGGABLE STPT2-40K275V-2P-TE (-M)

Data Sheet



Dimensions

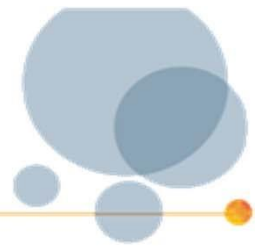


Internal configuration

Catalog number		STPT2-40K275V-2P-TE	STPT2-40K275V-2P-TE-M
Reference number		83020183	83020184
Remote indication		No	Yes
Designation according to EN 61643-11			Type 2
Designation according to IEC 61643-1			Class II
Nominal voltage AC 50-60 Hz	Un [V]		230/-
Maximum continuous operating voltage (L-N)	Uc (L-N) [V]		275
Maximum continuous operating voltage (N-PE)	Uc (N-PE) [V]		265
Maximum discharge current (8/20) (L-N)	I <sub>max</sub> (L-N) [kA]		40
Nominal discharge current (8/20) (L-N)	I <sub>n</sub> (L-N) [kA]		20
Voltage protection level (L-N) at I <sub>n</sub>	U <sub>p</sub> (L-N) [kV]		≤ 1,3
Voltage protection level (N-PE) at I <sub>n</sub>	U <sub>p</sub> (N-PE) [kV]		≤ 1,5
Maximum back-up fuse	A [gL]		125
Short circuit withstand	I <sub>cc</sub> [kA]		25
Response time (L-N)	t <sub>A</sub> [ns]		25
Response time (N-PE)	t <sub>A</sub> [ns]		100
Following current (N-PE)	I <sub>fi</sub> [A]		100
Visual end of life indication			Yes
Dynamic thermal disconnection (L-N)			Yes
Insulating material & flammability class			PA66 CT1; V-0
Enclosure			IP 20

# SURGE-TRAP® PLUGGABLE STPT2-40K275V-2P-TE (-M)

Data Sheet



SAFEground®		
Catalog number		STPT2-40K275V-2P-TE
Reference number		83020183
		STPT2-40K275V-2P-TE-M
		83020184
Product standards		EN 61557-3 ; EN 61010:1
Designation according to EN 61010-1		Yes
Nominal voltage AC 50-60 Hz	[Vac]	230 ±10%
Maximum continuous operating voltage (N-PE)	[Vac]	275
Minimum continuous operating voltage (N-PE)	[Vac]	195
Apparent power	[VA]	1,6
Power	[W]	1,4
Accuracy	[Ω]	±10%<->±2
Operating Temperature	[°C]	-30...+80
Range (green)	[Ω]	<25
Range (yellow)	[Ω]	25...50
Range (red)	[Ω]	>50
Open earth indication	[Ω]	>500
System leakage capacitance (N-PE)	Ce [ μF]	≤1
Flashing red-green indication	[V]	Overvoltage >275
Flashing yellow-green indication	[V]	Undervoltage <195
Flashing red-yellow indication	[VE]	High voltage ground >30
Flashing red indication		Open earth
Flashing yellow indication		Bad connected
Flashing red/green indication		Permanent overvoltage >275 V
Flashing green/yellow indication		Permanent undervoltage <195 V
Flashing yellow/red indication		High voltage (N-PE) >30 V