

# CHARACTERISTICS

## GENERAL:

This S07 connector is suitable for narrow space portable applications. It has an integral card detection switch.

## ELECTRICAL PROPERTIES:

Insulation resistance : > 1000MΩ  
 Dielectric withstanding voltage : > 1000 Vrms  
 Current carrying capacity : min 10micronsA, MAX 1A  
 Contact resistance : GSM II-II standard  
 Card sensor type : Normally closed  
 Voltage US : 5V ±0.1V with R=560 Ω

## MECHANICAL PROPERTIES:

Contact Normal force : GSM II-II standard  
 Durability : 10 000 card insertions

## MATERIAL:

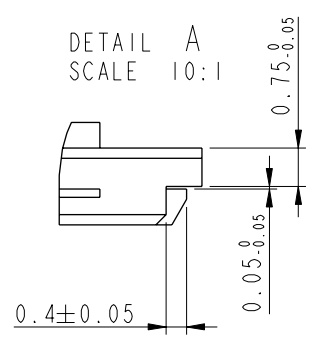
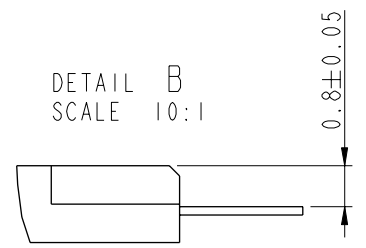
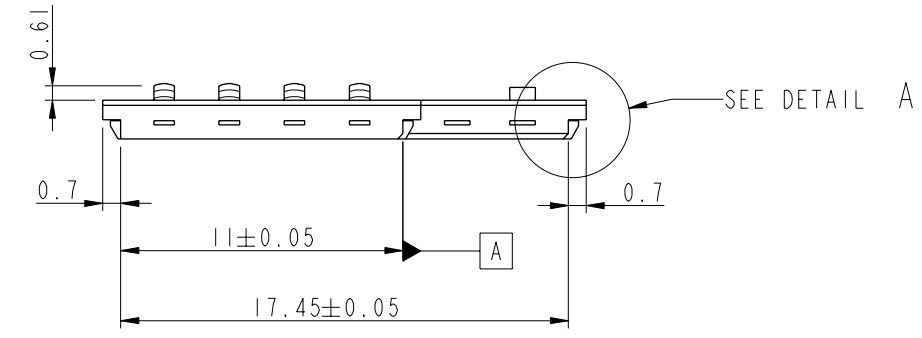
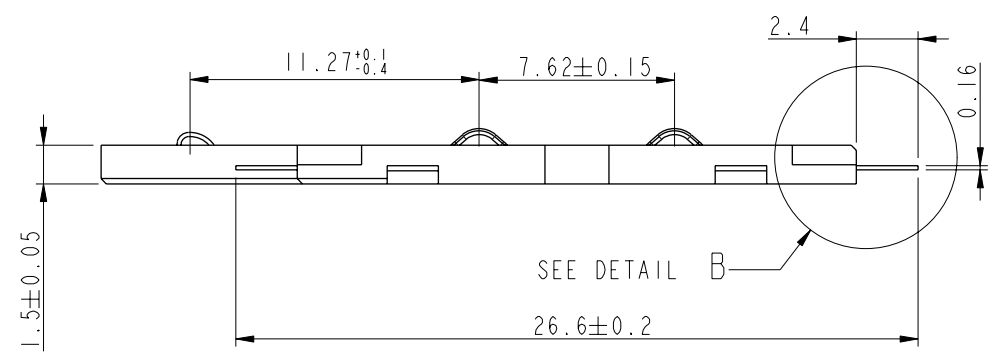
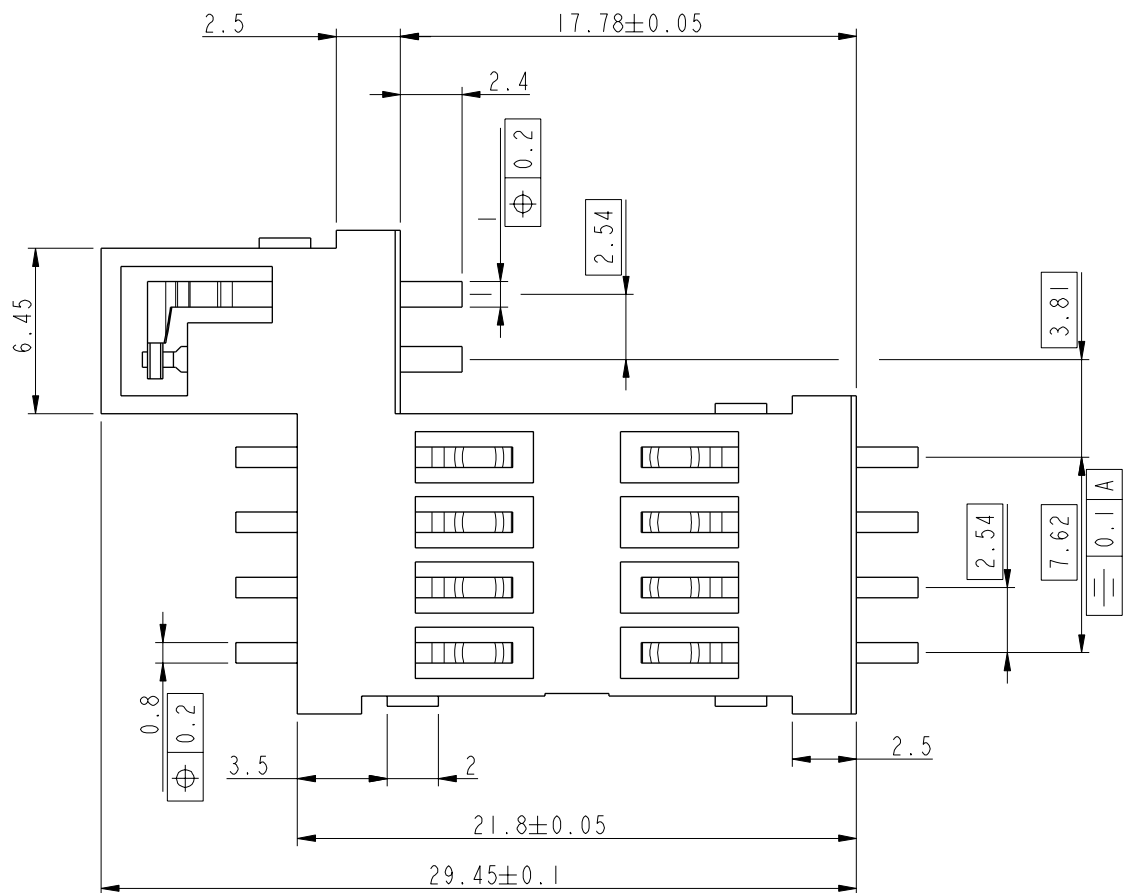
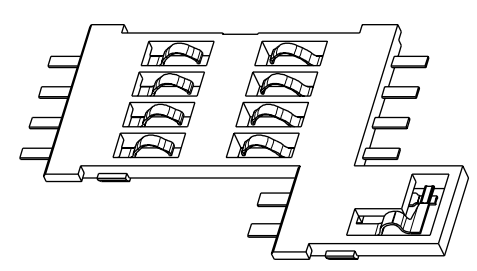
Housing : High Temperature Thermoplastic, colour Black, Rated UL94V0  
 Contacts and switch : Copper Alloy, Thickness 0.16mm  
 Plating : precoat Ni 2.5 microns min. all over  
 - Contact : Gold over Nickel on contact areas  
 - Switch : Gold over Nickel on functional areas  
 Bare edge allowed,  
 Lead Free (Sn) on soldertails.

## ENVIRONMENT:

Operating temperature : -40 °C / +90 °C  
 Reflow soldering temperature for Lead Free version: see note RoHs informations  
 Climatic conditions : UTE C 93-421

## APPLICATION DOCUMENT:

Product specification VGN11406/A



|                       |             |
|-----------------------|-------------|
| LEAD FREE PART NUMBER |             |
| 7311S0725A06LF        | CAVITY TRAY |

|                    |             |                                       |                                |                     |              |
|--------------------|-------------|---------------------------------------|--------------------------------|---------------------|--------------|
| www.fciconnect.com |             | surface - / ISO 1302                  | tolerance std ISO 406 ISO 1101 | projection          | mm           |
|                    |             | TOLERANCES UNLESS OTHERWISE SPECIFIED |                                | size                | Scale        |
| Dr                 | D.LEGRAND   | 2002-04-29                            | ANGULAR                        | 0.X ±0.3            | A2           |
| Eng                | F.TISSERAND | 2002-04-29                            | LINEAR                         | 0.XX ±0.1           | 1:1          |
| Chr                | -           | -                                     | 0° ±2°                         | 0.XXX ±0.05         | ECN 109-0019 |
| Appr               | JF.NOTTEAU  | 2002-04-29                            | Product family                 | -                   | Spec ref     |
| rev                | ecn no      | dr                                    | date                           | VJW 54719 SCM 1.5mm |              |
| B                  | LS03-0006   | JG                                    | 2003-02-24                     | diag no             | VJW54719     |
| C                  | LS4063      | JG                                    | 2004-06-10                     | Rev.                | G            |
| D                  | LS05-0029   | LGO                                   | 2005-04-04                     | catalog no          | SEE TABLE    |
| E                  | LS05-0058   | HLE                                   | 2005-06-09                     | CUSTOMER            | sheet 1 of 2 |
| F                  | LS07-0004   | LGO                                   | 2006-12-12                     |                     |              |
| G                  | 109-0019    | RPK                                   | 2009-02-09                     |                     |              |

Copyright FCI. FCI

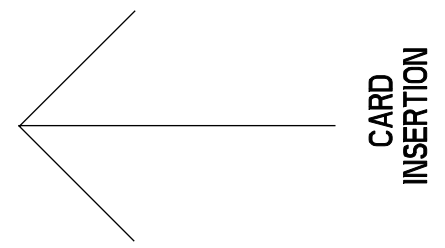
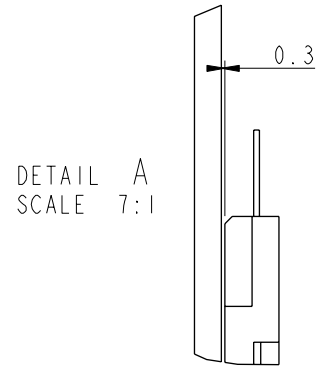
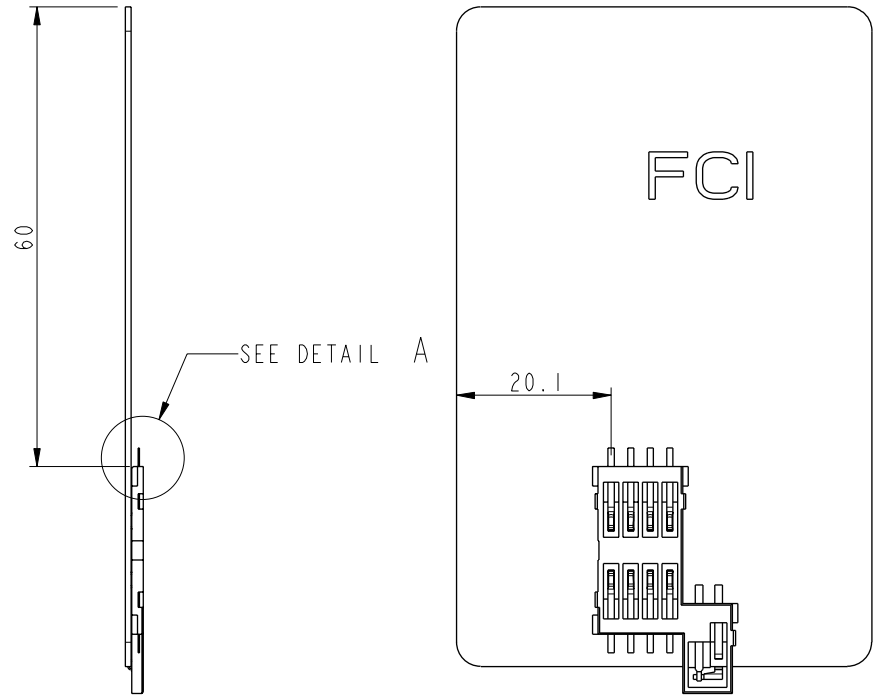
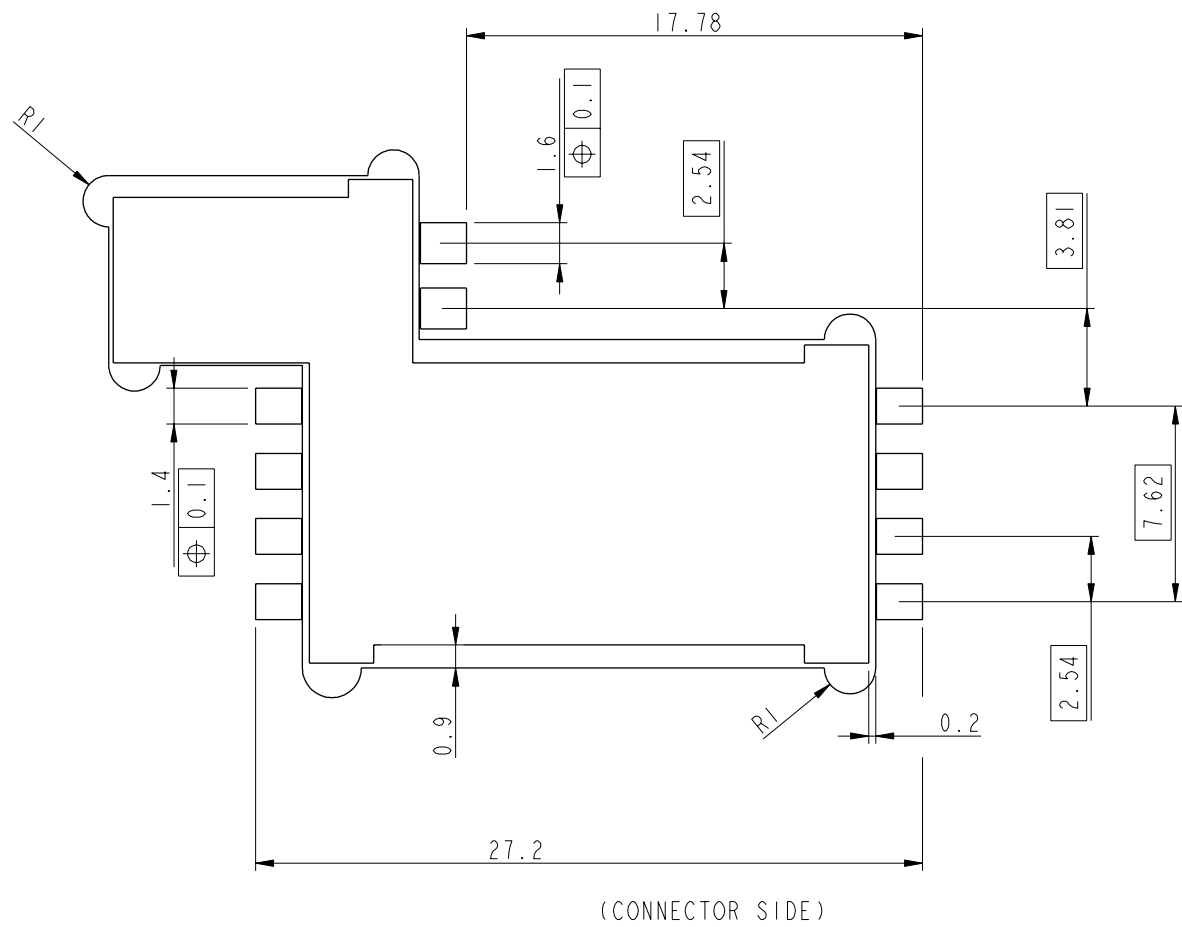
1 2 3 4 5 6 7 8

IN ALL CASE, WE GUARANTY THE FUNCTIONING OF THE SWITCH WITH A MAXIMUM DISTANCE BETWEEN THE CARD READER AND THE CARD OF 0.3mm.

**PCB RECOMMENDED LAYOUT**

**NOTE RoHS INFORMATIONS**

- The "LF" products meet European Union Directives and other country regulations as described in GS-22-008
- The housing will withstand exposure to 260°C peak temperature for 30 seconds in a convection, infra-red or vapor reflow oven. See application notes/procedures if they are available.
- Packaging spec: see GS-14-920



Copyright FCI. **FCI**

|                    |             |            |  |                                |                 |              |
|--------------------|-------------|------------|--|--------------------------------|-----------------|--------------|
| www.fciconnect.com |             |            | surface - <input checked="" type="checkbox"/> ISO 1302 | tolerance std ISO 406 ISO 1101 | projection      | mm           |
|                    |             |            | TOLERANCES UNLESS OTHERWISE SPECIFIED                  |                                |                 | mm           |
| Dr                 | D.LEGRAND   | 2002-04-29 | ANGULAR  | 0.X ±0.3                       | size A2         | Scale 5:1    |
| Eng                | F.TISSERAND | 2002-04-29 | LINEAR   | 0.XX ±0.1                      |                 |              |
| Chr                | -           | -          | 0° ±2°   | 0.XXX ±0.05                    | ECN             | 109-0019     |
| Appr               | JF.NOTTEAU  | 2002-04-29 | Product family   | -                              | Spec ref        |              |
| <b>FCI</b>         |             |            | VJW 54719 SCM 1.5mm                                    |                                | cat no VJW54719 | Rev. G       |
|                    |             |            | catalog no   | SEE TABLE                      | CUSTOMER        | sheet 2 of 2 |

# Mouser Electronics

Authorized Distributor

Click to View Pricing, Inventory, Delivery & Lifecycle Information:

[Amphenol:](#)

[7311S0725A06LF](#)