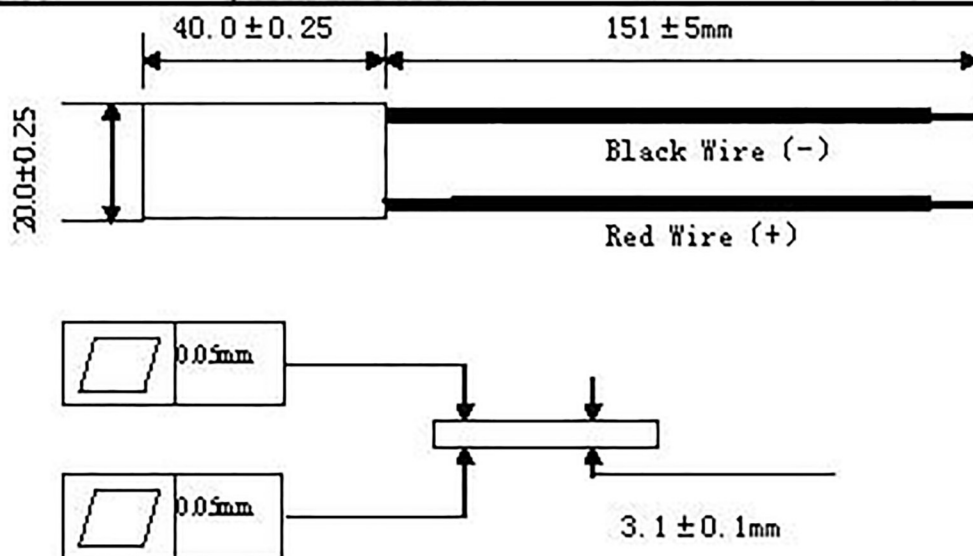


Specification

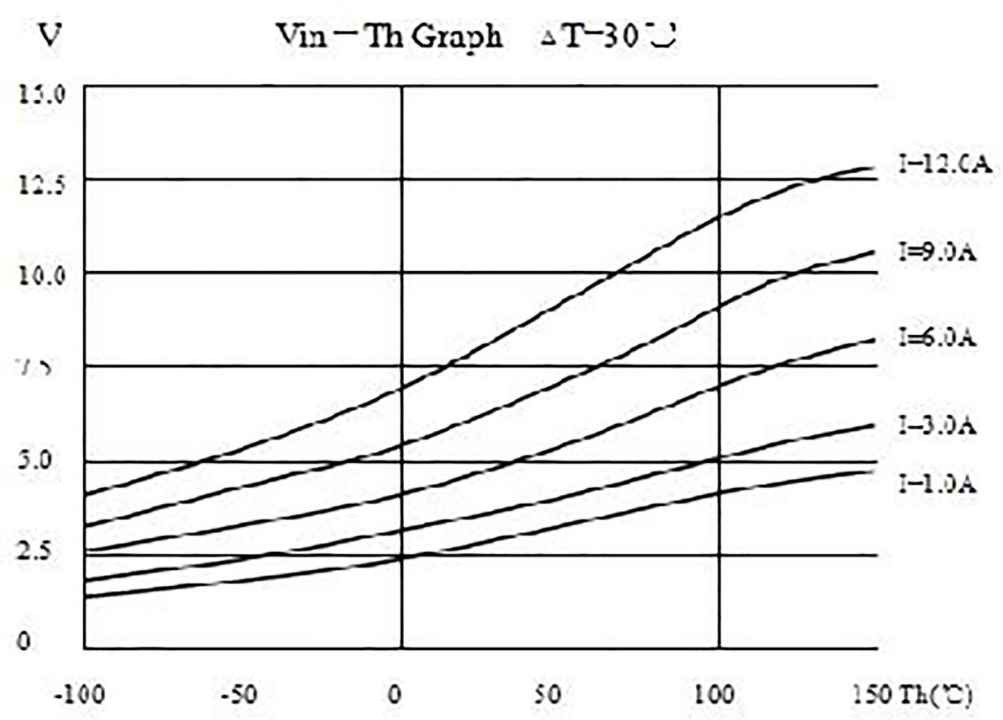
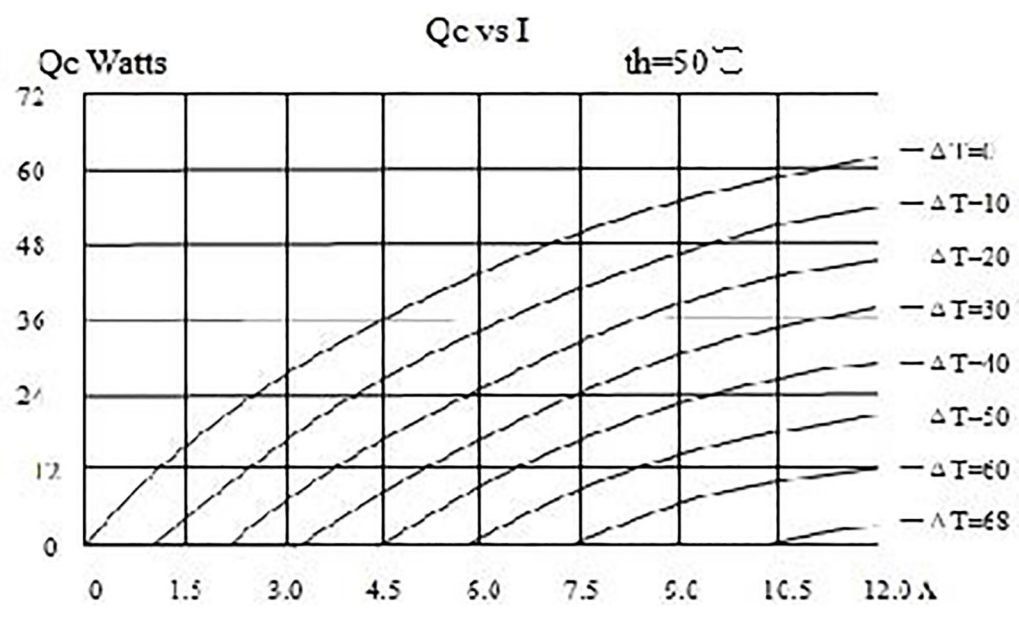
| | |
|-------------------------------------|---|
| Item Number: | PM-40X40-55 |
| Device Outline | See picture below |
| Heat-shrink tube on the end of wire | Not available |
| Wire Criteria | 1. 20AWG UL, PVC insulated 2. Standard 105°C tinned copper wire 3. General length: 151±5mm 4. Length of tinning without outer sphere on the end of wire: 5±1.0mm |
| Resistance (ohms) | Environment Temperature 20°C, 1KHZ, 0.45-0.55 (ohms) |
| Packing | Foam box, 50pcs in each box |
| Printing | See picture below |



Other Requirement:

1. Working Temperature: -55°C to +80°C
2. Assembled overhelm force: 80lb/Sq.In.
3. P/N Couples 127 couples
4. I_{max} 9.5±0.5A (6VDC)
5. V_{max} 7.5VDC
6. Q_{max} 59W (7.5VDC)
7. Resistance range: AC-R 0.45-0.55 Ω (Surrounding Temperature 20°C 1KHZ)
8. ΔT_{max} ≥63°C
9. Wire should be soldered on the hot side
10. 20AWG UL, PVC insulated, Standard 105°C tinned copper wire

Specification



stonecold

PM-40X40-55

Specification

