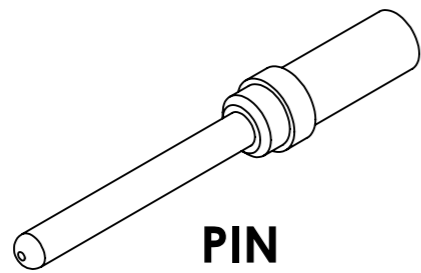


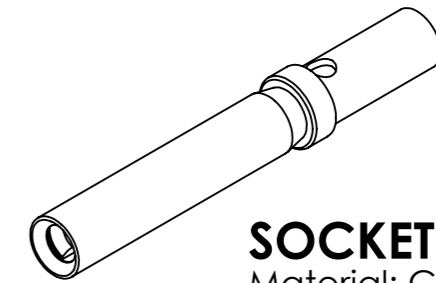
1	2	3	4	5	6	7	8														
AWG	Kontakttyp	Vergoldung	Modifikat	VPE	MLQ	FCT PN	SAP	Kontakttyp	Vergoldung	Modifikat	VPE	MLQ	FCT PN	SAP	Kontakttyp	Vergoldung	Modifikatio	VPE	MLQ	FCT PN	SAP
AWG 18-22	FK20P18-	02V	-5783	100	500	FK20P18-02V-5783	1731120203	FK20SL18-	02V	-5783	100	500	FK20SL18-02V-5783	1731120217	FK20S18-	02V	-5783	100	500	FK20S18-02V-5783	1731120211
			-6096	1000	1000	FK20P18-02V-6096	1731120753			-6096	1000	1000	FK20SL18-02V-6096	1731121033			-6096	1000	1000	FK20S18-02V-6096	1731121030
			-6097	5000	5000	FK20P18-02V-6097	1731121028			-6097	5000	5000	FK20SL18-02V-6097	1731121034			-6097	5000	5000	FK20S18-02V-6097	1731121031
	08V	-5783	100	500	FK20P18-08V-5783	1731120204	FK20SL18-	08V	-5783	100	500	FK20SL18-08V-5783	1731120218	FK20S18-	08V	-5783	100	500			
		-6096	1000	1000	FK20P18-08V-6096				-6096	1000	1000	FK20SL18-08V-6096				-6096	1000	1000			
		-6097	5000	5000	FK20P18-08V-6097				-6097	5000	5000	FK20SL18-08V-6097				-6097	5000	5000			
	13V	-5783	100	500	FK20P18-13V-5783	1731120205	FK20SL18-	13V	-5783	100	500	FK20SL18-13V-5783	1731120219	FK20S18-	13V	-5783	100	500	FK20S18-13V-5783	1731120212	
		-6096	1000	1000	FK20P18-13V-6096	1731121029			-6096	1000	1000	FK20SL18-13V-6096	1731121036			-6096	1000	1000	FK20S18-13V-6096	1731121032	
		-6097	5000	5000	FK20P18-13V-6097				-6097	5000	5000					-6097	5000	5000	FK20S18-13V-6097		
AWG 20-24	FK20P-	02V	-5783	100	500	FK20P-02V-5783	1731120200	FK20SL-	02V	-5783	100	500	FK20SL-02V-5783	1731120214	FK20S-	02V	-5783	100	500	FK20S-02V-5783	1731120209
			-6096	1000	1000	FK20P-02V-6096	1731120715			-6096	1000	1000	FK20SL-02V-6096	1731120730			-6096	1000	1000	FK20S-02V-6096	
			-6097	5000	5000	FK20P-02V-6097	1731120716			-6097	5000	5000	FK20SL-02V-6097	1731120731			-6097	5000	5000	FK20S-02V-6097	1731120725
	08V	-5783	100	500	FK20P-08V-5783	1731120201	FK20SL-	08V	-5783	100	500	FK20SL-08V-5783	1731120215	FK20S-	08V	-5783	100	500			
		-6096	1000	1000	FK20P-08V-6096	1731120717			-6096	1000	1000	FK20SL-08V-6096	1731120732			-6096	1000	1000			
		-6097	5000	5000	FK20P-08V-6097	1731120718			-6097	5000	5000	FK20SL-08V-6097	1731120733			-6097	5000	5000			
	13V	-5783	100	500	FK20P-13V-5783	1731120202	FK20SL-	13V	-5783	100	500	FK20SL-13V-5783	1731120216	FK20S-	13V	-5783	100	500	FK20S-13V-5783	1731120210	
		-6096	1000	1000	FK20P-13V-6096	1731120719			-6096	1000	1000	FK20SL-13V-6096				-6096	1000	1000	FK20S-13V-6096	1731120726	
		-6097	5000	5000	FK20P-13V-6097	1731120720			-6097	5000	5000	FK20SL-13V-6097				-6097	5000	5000	FK20S-13V-6097	1731120727	
AWG 22-28	FK20P26-	02V	-5783	100	500	FK20P26-02V-5783	1731120206	FK20SL26-	02V	-5783	100	500	FK20SL26-02V-5783	1731120220	FK20S26-	02V	-5783	100	500		
			-6096	1000	1000	FK20P26-02V-6096	1731120721			-6096	1000	1000	FK20SL26-02V-6096	1731120734			-6096	1000	1000		
			-6097	5000	5000	FK20P26-02V-6097	1731120722			-6097	5000	5000	FK20SL26-02V-6097	1731120735			-6097	5000	5000		
	08V	-5783	100	500	FK20P26-08V-5783	1731120207	FK20SL26-	08V	-5783	100	500	FK20SL26-08V-5783	1731120221	FK20S26-	08V	-5783	100	500			
		-6096	1000	1000	FK20P26-08V-6096				-6096	1000	1000	FK20SL26-08V-6096	1731120736			-6096	1000	1000			
		-6097	5000	5000	FK20P26-08V-6097				-6097	5000	5000	FK20SL26-08V-6097				-6097	5000	5000			
	13V	-5783	100	500	FK20P26-13V-5783	1731120208	FK20SL26-	13V	-5783	100	500	FK20SL26-13V-5783	1731120222	FK20S26-	13V	-5783	100	500	FK20S26-13V-5783	1731120213	
		-6096	1000	1000	FK20P26-13V-6096	1731120723			-6096	1000	1000	FK20SL26-13V-6096				-6096	1000	1000	FK20S26-13V-6096	1731120728	
		-6097	5000	5000	FK20P26-13V-6097	1731120724			-6097	5000	5000	FK20SL26-13V-6097				-6097	5000	5000	FK20S26-13V-6097	1731120729	



PIN
Material: Brass



SOCKET
Material: Copper alloy



SOCKET
Material: Copper alloy with sleeve made of stainless steel

Ordering Example **FK20SL-08V-5783**

Crimp socket contact for wire size AWG 20-24. Plating 0.8µm Au over Ni, 100 pieces are packed in one bag.

Availability on request, also nonmagnetic contacts.

Crimping Tools see catalogue.

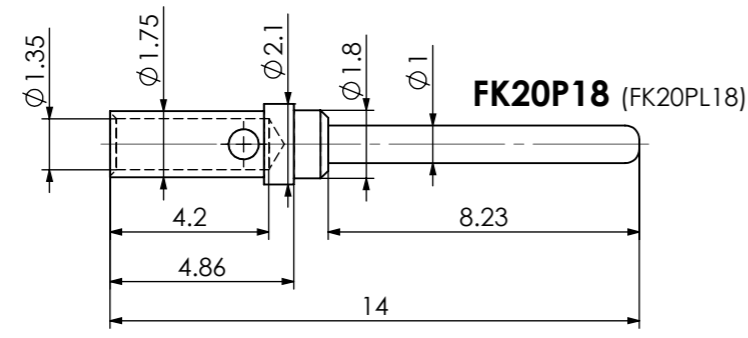
Crimping Guideline see AM0650

SYMBOLS = 0 = 0 = 0 = 0 = 0 = 0 = 0 = 0 = 0 = 0 = 0	THIS DRAWING CONTAINS INFORMATION THAT IS PROPRIETARY TO MOLEX ELECTRONIC TECHNOLOGIES, LLC AND SHOULD NOT BE USED WITHOUT WRITTEN PERMISSION		MEASUREMENTS WITHOUT TOLERANCE ACC. TO ISO 2768-m		 Machined Contacts for Crimp Connectors
	DIMENSION UNITS mm	SCALE 1:2	CURRENT REVISION DRWN: DRAWN BY tschneider01 30-04-2019 APPR: APPR BY MTeubel 02-05-2019		
REV. CH.-NO.	REPLACEMENT FOR:	THIRD ANGLE PROJECTION 	DRAWING A3-SIZE	MATERIAL NUMBER see table	REVISION 5
DOCUMENT NUMBER FK20-xx				CUSTOMER GENERAL MARKET	SHEET NUMBER 1 OF 3

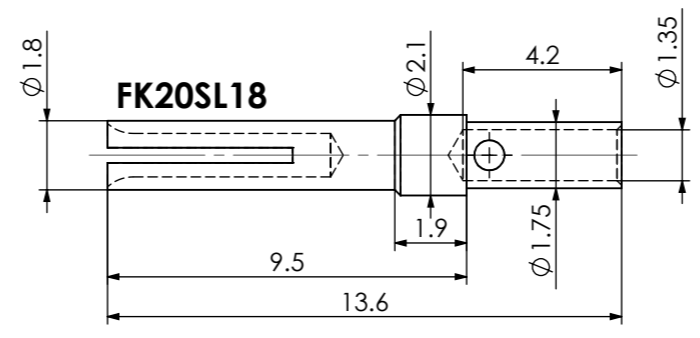
COMMENT: ALL RIGHTS ARE RESERVED BY US FOR THIS DRAWING. WITHOUT OUR PRIOR CONSENT, IT MAY NEITHER BE DUPLICATED NOR MADE AVAILABLE TO A THIRD PARTY. AND IT ALSO MAY NOT BE IMPROPERLY USED BY THE RECEIVER, OR A THIRD PARTY.

COMMENT: ALL RIGHTS ARE RESERVED BY US FOR THIS DRAWING. WITHOUT OUR PRIOR CONSENT, IT MAY NEITHER BE DUPLICATED NOR MADE AVAILABLE TO A THIRD PARTY. AND IT ALSO MAY NOT BE IMPROPERLY USED BY THE RECEIVER, OR A THIRD PARTY.

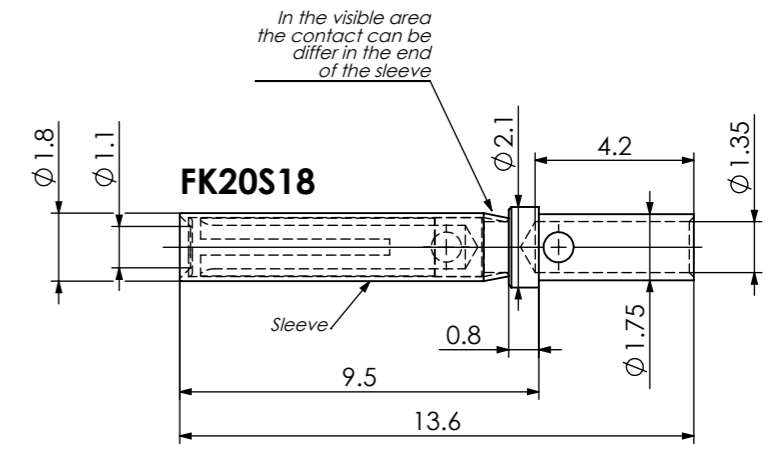
**AWG
18-22**



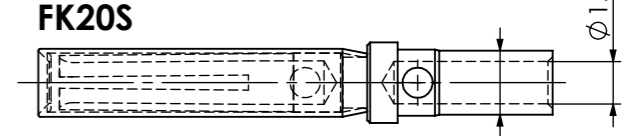
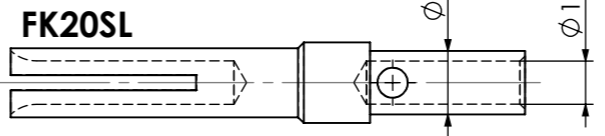
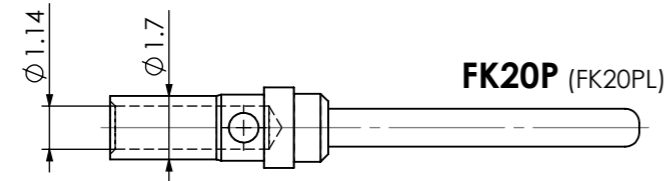
SOCKET
Material: Copper alloy



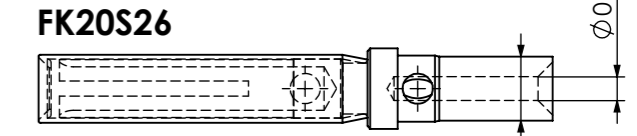
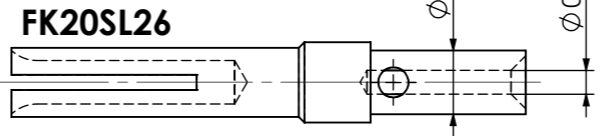
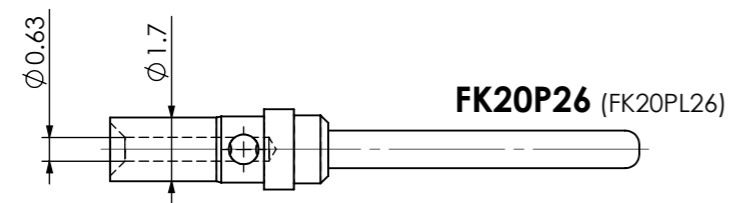
SOCKET
Material: Copper alloy with sleeve made of stainless steel



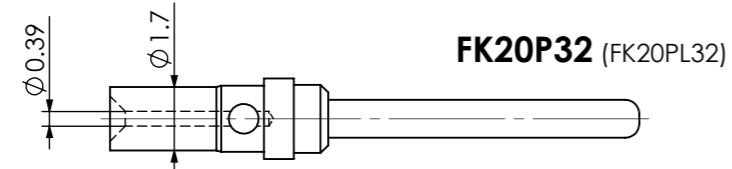
**AWG
20-24**



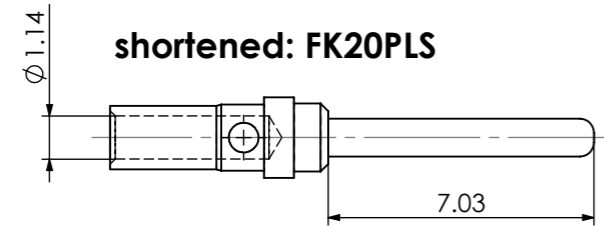
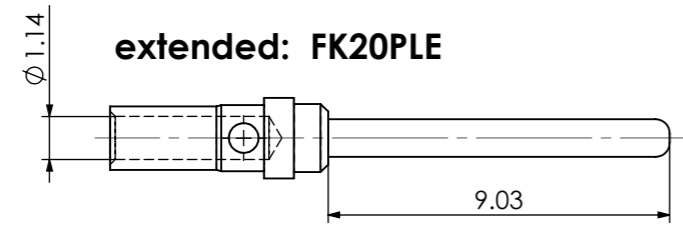
**AWG
26-28**



AWG 32



**AWG
20-24**



Ordering Example FK20SL-08V-5783

Crimp socket contact for wire size AWG 20-24. Plating 0.8µm Au over Ni, 100 pieces are packed in one bag.

Availability on request, also nonmagnetic contacts.

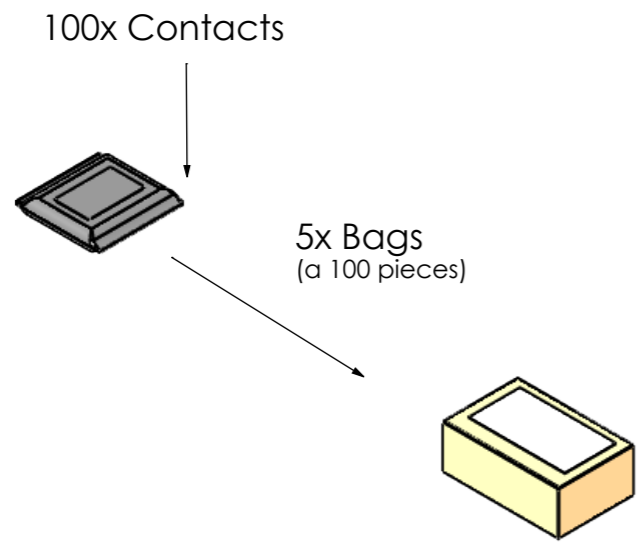
Crimping Tools see catalogue.

Crimping Guideline see AM0650

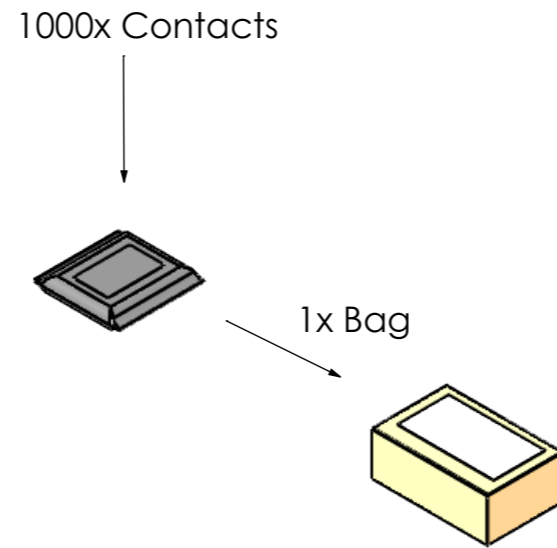
SYMBOLS = 0 = 0 = 0 = 0 = 0 = 0 = 0 = 0	THIS DRAWING CONTAINS INFORMATION THAT IS PROPRIETARY TO MOLEX ELECTRONIC TECHNOLOGIES, LLC AND SHOULD NOT BE USED WITHOUT WRITTEN PERMISSION			 Machined Contacts for Crimp Connectors	
	DIMENSION UNITS	SCALE	MEASUREMENTS WITHOUT TOLERANCE ACC. TO ISO 2768-m		
	mm	1:2			
	REV.	CH.-NO.			
	REPLACEMENT FOR:	THIRD ANGLE PROJECTION	DRAWING		
			CURRENT REVISION DRWN: DRAWN BY tschneider01 30-04-2019 APPR: APPR BY MTeubel 02-05-2019 INITIAL REVISION DRWN: DRAWN BY sschref 23-04-2015 APPR: APPR BY jmairose 27-04-2015	MATERIAL NUMBER see table	REVISION 5
			PRODUCT CUSTOMER DRAWING DOCUMENT NUMBER FK20-xx	CUSTOMER GENERAL MARKET	SHEET NUMBER 2 OF 3

Packing unit

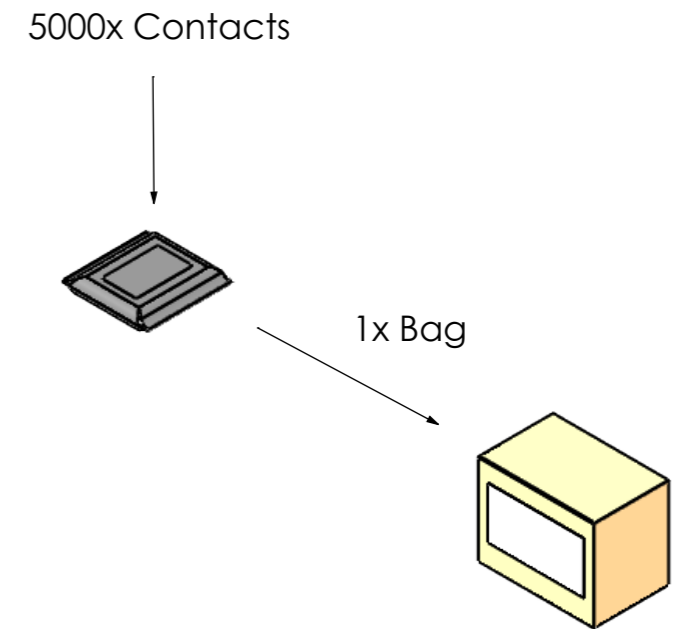
-5783



-6096



-6097



COMMENT: ALL RIGHTS ARE RESERVED BY US FOR THIS DRAWING. WITHOUT OUR PRIOR CONSENT, IT MAY NEITHER BE DUPLICATED NOR MADE AVAILABLE TO A THIRD PARTY. AND IT ALSO MAY NOT BE IMPROPERLY USED BY THE RECEIVER, OR A THIRD PARTY.

SYMBOLS = 0 = 0 = 0 = 0 = 0 = 0 = 0 = 0 = 0 = 0	THIS DRAWING CONTAINS INFORMATION THAT IS PROPRIETARY TO MOLEX ELECTRONIC TECHNOLOGIES, LLC AND SHOULD NOT BE USED WITHOUT WRITTEN PERMISSION						
	DIMENSION UNITS mm	SCALE 1:2	MEASUREMENTS WITHOUT TOLERANCE ACC. TO ISO 2768-m		Machined Contacts for Crimp Connectors		
		CURRENT REVISION DRWN: DRAWN BY tschneider01 30-04-2019 APPR: APPR BY MTeubel 02-05-2019	PRODUCT CUSTOMER DRAWING				
		INITIAL REVISION DRWN: DRAWN BY sschref 23-04-2015 APPR: APPR BY jmairose 27-04-2015		MATERIAL NUMBER see table	REVISION 5		
	REV. CH.-NO.	REPLACEMENT FOR:	THIRD ANGLE PROJECTION 	DRAWING A3-SIZE	DOCUMENT NUMBER FK20-xx	CUSTOMER GENERAL MARKET	SHEET NUMBER 3 OF 3