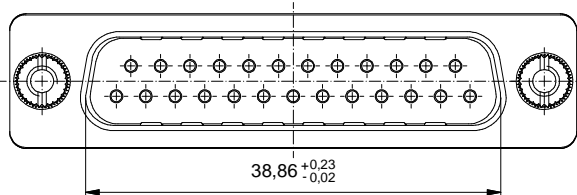
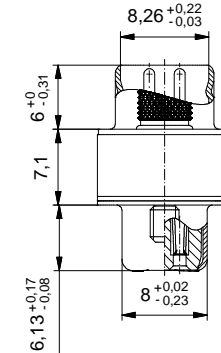
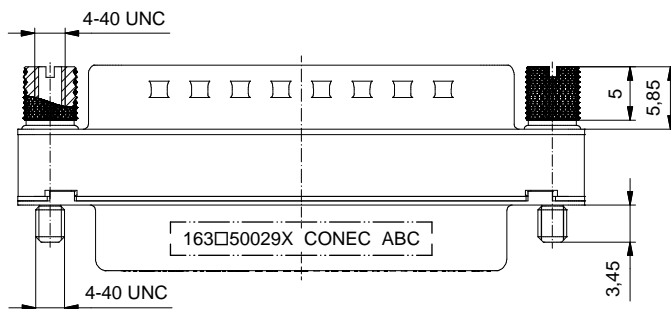
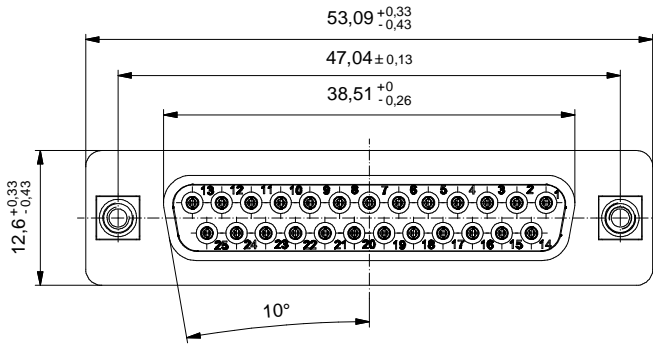


Threaded insert/
Gewindeeinsatz

Adapter screw/
Adapterschraube



(b) Technical specification:
Technische Daten:

Working voltage/ Betriebsspannung:	125 V AC
Insulation resistance/ Isolationswiderstand:	≥ 5 GΩ
Dielectric withstanding voltage/ Spannungsfestigkeit:	1000 V, 50 Hz, 1 min.
Temperature range/ Temperaturbereich:	- 55 °C ... + 125 °C
Current rating/ Strombelastbarkeit:	7,5 A (UL) / 5 A (CSA, VDE)
Mating cycles/ Steckzyklen:	Quality class 3 = 50 Gütestufe 3 Quality class 2 = 200 Gütestufe 2 Quality class 1 = 500 Gütestufe 1

**Materials/
Werkstoffe:**

Contact/ Kontakt:	Cu alloy, Au over Ni
Insulator/ Isolierkörper:	PBT GF UL 94 V-0, black/schwarz
Shell/ Gehäuse:	Steel, Sn over Ni
Threaded insert/ Gewindeeinsatz:	Cu alloy, Sn over Ni
Adapter screw/ Adapterschraube:	Cu alloy, Ni

**Installation specification/
Montagedaten:**

Recommended torque value for thread/ Empfohlenes Drehmoment für Gewinde:	max. 6 in.LB/ max. 67 Ncm
---	------------------------------

(b)

Part no. / Part marked/ Art.-Nr. / Bedruckung:	Quality class/ Gütestufe:	Contact plating/ Kontakt Veredelung:
163A50029X	3	Gold flash over nickel Gold über Nickel
163B50029X	2	20 µin hard gold over min. 50 µin nickel 20 µin Gold über min. 50 µin Nickel
163C50029X	1	30 µin hard gold over min. 50 µin nickel 30 µin Gold über min. 50 µin Nickel

dim. in mm

Date/Datum	Name
26.01.17	Lehmenkühler
30.01.17	Schmidt

Index: b Ä6490 26.01.2017 J.L.	scale/Maßstab:
Status: InBearbeitung	2:1
RoHS compliant/konform	



D-SUB Adapter 25pos. Male / Female D-SUB Adapter 25pol. Stift / Buchse	
dwg no / Z.-nr.:	16K1A3899
DIN-A3	1 / 1

The reproduction, distribution and utilization of this document as well as the communication of its contents to third parties without express authorization is prohibited. Offenders will be held liable for the payment of damages. For further information on this subject, please contact your nearest CONEC sales office.

Mouser Electronics

Authorized Distributor

Click to View Pricing, Inventory, Delivery & Lifecycle Information:

[CONEC:](#)

[163A50029X](#) [163A50049X](#)