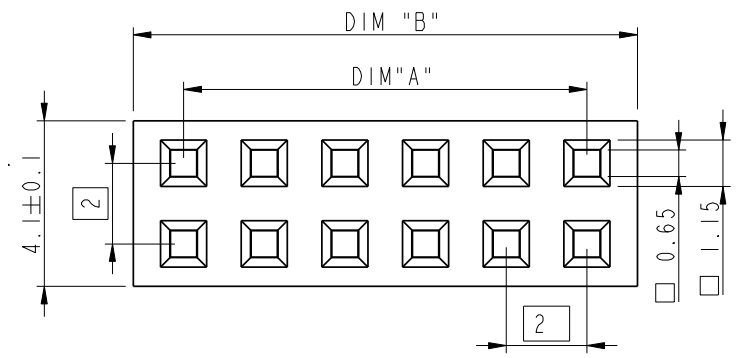
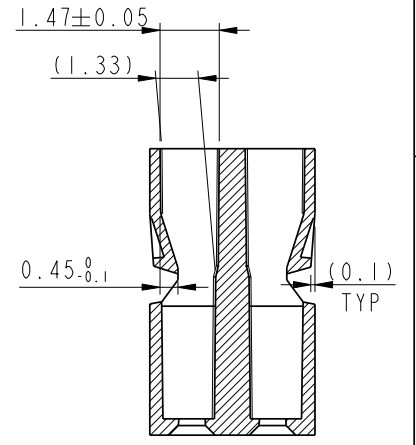
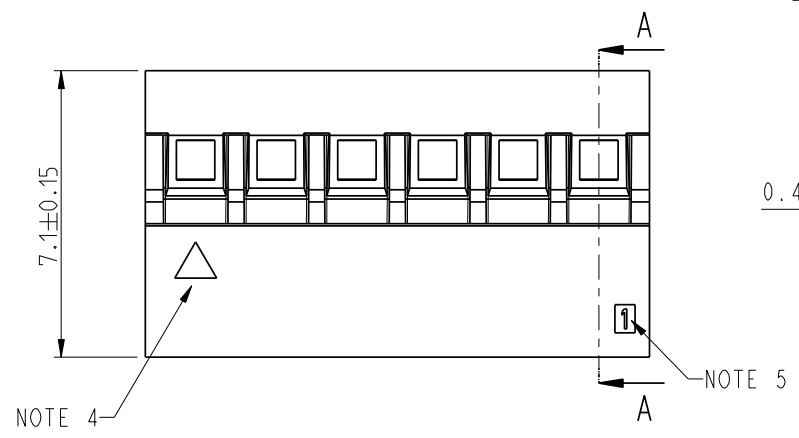


1			2			3			4		
---	--	--	---	--	--	---	--	--	---	--	--

PRODUCT NUMBER	SIZE	DIM A	DIM B
69307-004LF	2x2	2.0	4.4
69307-006LF	2x3	4.0	6.4
69307-008LF	2x4	6.0	8.4
69307-010LF	2x5	8.0	10.4
69307-012LF	2x6	10.0	12.4
69307-014LF	2x7	12.0	14.4
69307-016LF	2x8	14.0	16.4
69307-018LF	2x9	16.0	18.4
69307-020LF	2x10	18.0	20.4
69307-022LF	2x11	20.0	22.4
69307-024LF	2x12	22.0	24.4
69307-026LF	2x13	24.0	26.4
69307-028LF	2x14	26.0	28.4
69307-030LF	2x15	28.0	30.4
69307-032LF	2x16	30.0	32.4
69307-034LF	2x17	32.0	34.4
69307-036LF	2x18	34.0	36.4
69307-038LF	2x19	36.0	38.4
69307-040LF	2x20	38.0	40.4
69307-042LF	2x21	40.0	42.4
69307-044LF	2x22	42.0	44.4
69307-046LF	2x23	44.0	46.4
69307-048LF	2x24	46.0	48.4
69307-050LF	2x25	48.0	50.4

PRODUCT NUMBER
69307-0XXLF
└─ TOTAL NUMBER OF POS 04 UP TO 50



- NOTES:
- MATERIAL : PA66 25% GLASSFILLED, UL94V-0 COLOR BLACK.
 - PRODUCT MEETS EUROPEAN UNION DIRECTIVES AND OTHERS REGULATIONS AS DESCRIBED IN GS-47-004.
 - THIS PRODUCT IS NOT INTENDED TO BE EXPOSED TO MANUFACTURING SOLDER PROCESSES.
 - CODING TRIANGLE INDICATES POS 1 WHEN MATED WITH MINITEK HEADER SERIES 98414 / 98417 / 98424 / 98464 / 10072354 / 10074920 AND 10075974.
 - INDICATES POS 1, WHEN MATED WITH SERIES 90309 / 95609 AND 95615.
 - FOR USE WITH MINITEK CRIMP TO WIRE CONTACT 77138 (26-30AWG) AND 10044403 (22-24AWG).
 - PRODUCT SPECIFICATION AS PER 110-036, CONTACT CRIMP RECOMMENDATIONS AS PER GS-20-058.

				Material		Spec ref			
				Mat code		surface -		tolerance	
				Heattreat		✓		projection	
				Plating/Finish				MM	
				Dr E. KROPIEWN I 1999-11-09				size A3	
				Eng L. GREEN 1999-11-09		Product family		Scale 8:1	
				Chr L. GREEN 1999-11-09		Model Name 69307-012		ECN	
				Appr J COMPAGNON 2012-08-30		Model Revision		REL Level proj_release	
						Title MINITEK CTW HOUSING		Rev.	
						DOUBLE ROW		R	
				Pro/E file		catalog no		CUSTOMER	
								i of i	

TOLERANCES UNLESS OTHERWISE SPECIFIED			
LINEAR	0.X	±0.3	
	0.XX	±0.13	
	0.XXX	±0.050	
ANGULAR	0°	±2°	

Mouser Electronics

Authorized Distributor

Click to View Pricing, Inventory, Delivery & Lifecycle Information:

[FCI / Amphenol:](#)

[69307-012LF](#) [69307-010LF](#) [69307-050LF](#) [69307-040LF](#) [69307-004LF](#) [69307-014LF](#) [69307-016LF](#) [69307-020LF](#)
[69307-026LF](#) [69307-030LF](#) [69307-034LF](#) [69307-036LF](#) [69307-044LF](#) [69307-046LF](#)