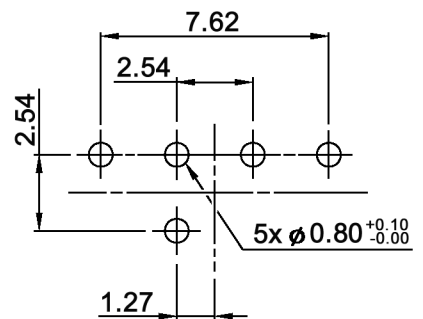


| TYPE     | CIRCUIT CHARACTERISTIC |               |   |   |   |   |   |   |   |   |   |   |   |
|----------|------------------------|---------------|---|---|---|---|---|---|---|---|---|---|---|
|          | CODE                   | POSITION ● ON |   |   |   |   |   |   |   |   |   |   |   |
| DRR 3016 | 1                      | ●             | ● | ● | ● | ● | ● | ● | ● | ● | ● | ● | ● |
|          | 2                      | ●             | ● | ● | ● | ● | ● | ● | ● | ● | ● | ● | ● |
|          | 4                      | ●             | ● | ● | ● | ● | ● | ● | ● | ● | ● | ● | ● |
|          | 8                      | ●             | ● | ● | ● | ● | ● | ● | ● | ● | ● | ● | ● |

P.C.B. LAYOUT

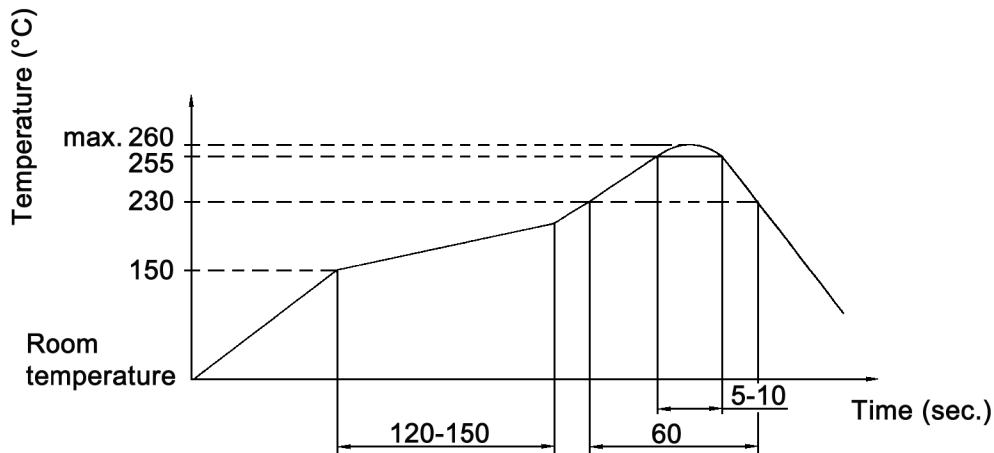


Compliance: RohS II (2011/65/EU)

|                          |       |       |                       |                   |
|--------------------------|-------|-------|-----------------------|-------------------|
| Tolerances: ±0.20mm max. |       | Date  | Name                  | <h1>DRR 3116</h1> |
|                          |       | 12/07 | dr                    |                   |
|                          |       |       |                       |                   |
|                          |       |       |                       |                   |
| Delivery position        | 11/11 | dr    |                       | <h1>30 13 15</h1> |
| Specifications           | 02/09 | dr    |                       |                   |
| Dimensions               | 02/09 | dr    | <b>knitter-switch</b> |                   |
| Operating temperature    | 04/08 | dr    |                       |                   |
| Modifications            | Date  | Name  |                       |                   |

**Specifications:**

**Contact rating:** non-switching: 100mA, 50V DC  
 switching: 30mA, 15V DC  
**Contact resistance:** 100mOhm max.  
**Insulation resistance:** 1 000MOhm min. at 250V DC  
**Dielectric strength:** 250V AC for 1 minute  
**Operating temperature:** -40°C to +85°C  
**Mechanical life:** 20 000 cycles min.  
**Operating force:** 250 gf.cm max.  
**Material:** Base / cover: high-temp. thermoplastic nylon UL94V-0, molded black  
 Movable contact: alloy copper, gold plated  
 Actuator: high-temp. thermoplastic nylon UL94V-0, color: red  
 O-ring: silicone  
 Spring: stainless steel  
 Terminal: brass, gold plated  
**Soldering conditions:** wave soldering: 260°C, 5sec. max.  
 through hole reflow: 260 +/-5°C, 4-6sec.



Compliance: RohS II (2011/65/EU)

|                          |       |      |                 |
|--------------------------|-------|------|-----------------|
| Tolerances: ±0.20mm max. | Date  | Name | <b>DRR 3116</b> |
|                          | 02/09 | dr   |                 |
|                          |       |      |                 |
|                          |       |      |                 |
|                          |       |      |                 |
|                          |       |      | <b>30 13 15</b> |
|                          |       |      |                 |
|                          |       |      | Page            |
|                          |       |      | 2/2             |
| Modifications            | Date  | Name |                 |

**knitter-switch**