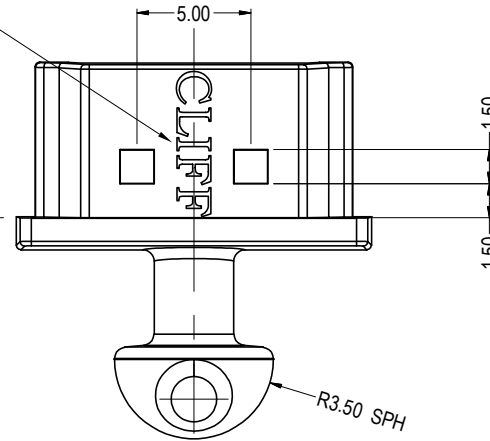
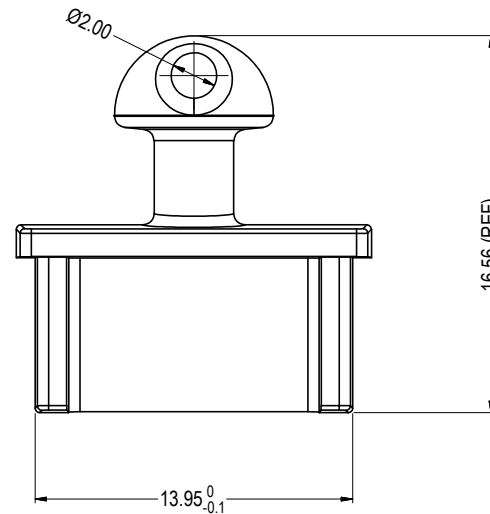
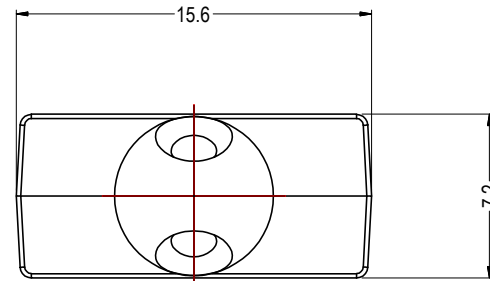
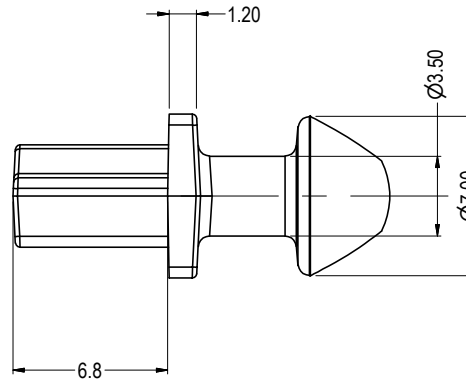
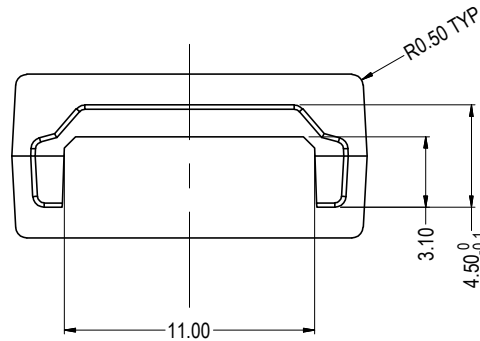


LOGO FONT: 1.50 HIGH
BOOKMAN OLD STYLE



32 VDI TEXTURE
ON ALL SURFACES
BELOW THIS LINE

ISS.	AMEND	DATE
1	ISSUED	23/08/18
2	WHITE ADDED	15/11/19



PART No.	COLOUR
CP30294	BLACK
CP30294W	WHITE

NOTES:-

- PART TO BE MADE FROM 3D DATA SUPPLIED.
- GATE AND EJECTOR POSITIONS TO BE AGREED.
- PART TO BE FREE FROM FLASH, SINK MARKS AND OTHER SURFACE DEFECTS.

RoHS
COMPLIANT

TOLERANCE
 NO DEC. PLACE ± 0.50
 1 DEC. PLACE ± 0.20
 2 DEC. PLACE ± 0.10
 HOLE Ø ± 0.10
 ANGLES ± 1/2°
 UNLESS OTHERWISE STATED

DO NOT SCALE

Cliff Electronic Components Ltd.
 76 Holmehorpe Avenue, Holmehorpe Industrial Estate,
 Redhill, Surrey, RH1 2PF, England, UK
 Tel: 01737-771375 Fax: 01737-766012 Website: www.cliffuk.co.uk

DIMENSIONS IN MILLIMETERS UNLESS OTHERWISE STATED. WORK TO DIMENSIONS. REMOVE ALL BURRS. IF IN DOUBT ASK.

3rd ANGLE PROJECTION:

MATERIAL: POLYPROPYLENE
 FINISH: 32 VDI, AS SHOWN - COLOUR SEE TABLE

TITLE: DUST COVER - HDMI

THE CONTENTS OF THIS DOCUMENT MUST NOT BE COPIED OR DISCLOSED TO A 3rd PARTY WITHOUT WRITTEN PERMISSION OF CLIFF UK. © 2018

DRAWN: NJB

APPROVED: DPJ

DRWG. No. **CP30294**

FORM: A4DRWGH