



## 83581 Plunger with axial roller Part number 835811



- Compact dimensions
- Contact element: IP67

	Type	Features	Function
835810	Telescopic top-mounted plunger	Standard	I (Changeover)
835818	Telescopic top-mounted plunger	Dual-current	I (Changeover)
835811	Plunger with axial roller	Standard	I (Changeover)
835819	Plunger with axial roller	Dual-current	I (Changeover)
MADE TO ORDER	Plunger with 90° roller	Standard	I (Changeover)
MADE TO ORDER	Plunger with 90° roller	Dual-current	I (Changeover)

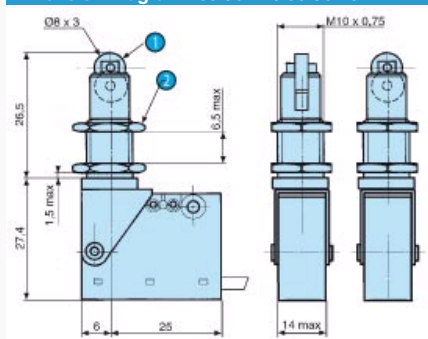
### Conformity to standards

Degree of protection IEC 60529	Outer casing: IP57 Contact element: IP67
Electrical characteristics	
Assigned operating current (Ie)	Standard: 8 A - 250 VAC Bi-niveau: 0,1 A - 250 VAC
Electrical endurance - Standard (operations)	8 A - 250 VAC: 40000 5 A - 250 VAC: 100000
Electrical endurance - Dual-current	This version is designed to operate both on dual-current (1 mA 4 V minimum) and medium-current (5A) circuits. However, a given product should only be used to switch one type of circuit during its working life.
Connections	
Connection	Flexible leads: PVC 3x1 mm <sup>2</sup> - Length 0.50 m - ext. Ø 2 mm (on the right or left) Cable: 3x0.75 mm <sup>2</sup> - Length 0.50 m - ext. Ø 5 mm (on left only)

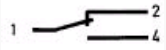
### Mechanical characteristics

Minimum operating force (N)	5
Minimum total travel force (N)	20
Differential travel (mm)	1
Minimum operating travel mm	2.5
Maximum total travel (mm)	5
Mechanical life (operations)	10 <sup>5</sup>
Operating temperature (°C)	-20 → +85
Weight (g)	45
Connections	
Wire output on right	D
Wire output on left	G
Cable output	C

### Dimension Diagram : 83 581 1 / 83 581 9



N°	Legend
1	Roller is straight (standard) or at 90°
2	Nut 14 across flats



Single break two-way contact element (form C: changeover)

N°	Legend
1	Black (common)
2	Brown (NC)
4	Blue (NO)

#### Special adaptations

- Length of cable/connector
- Approvals