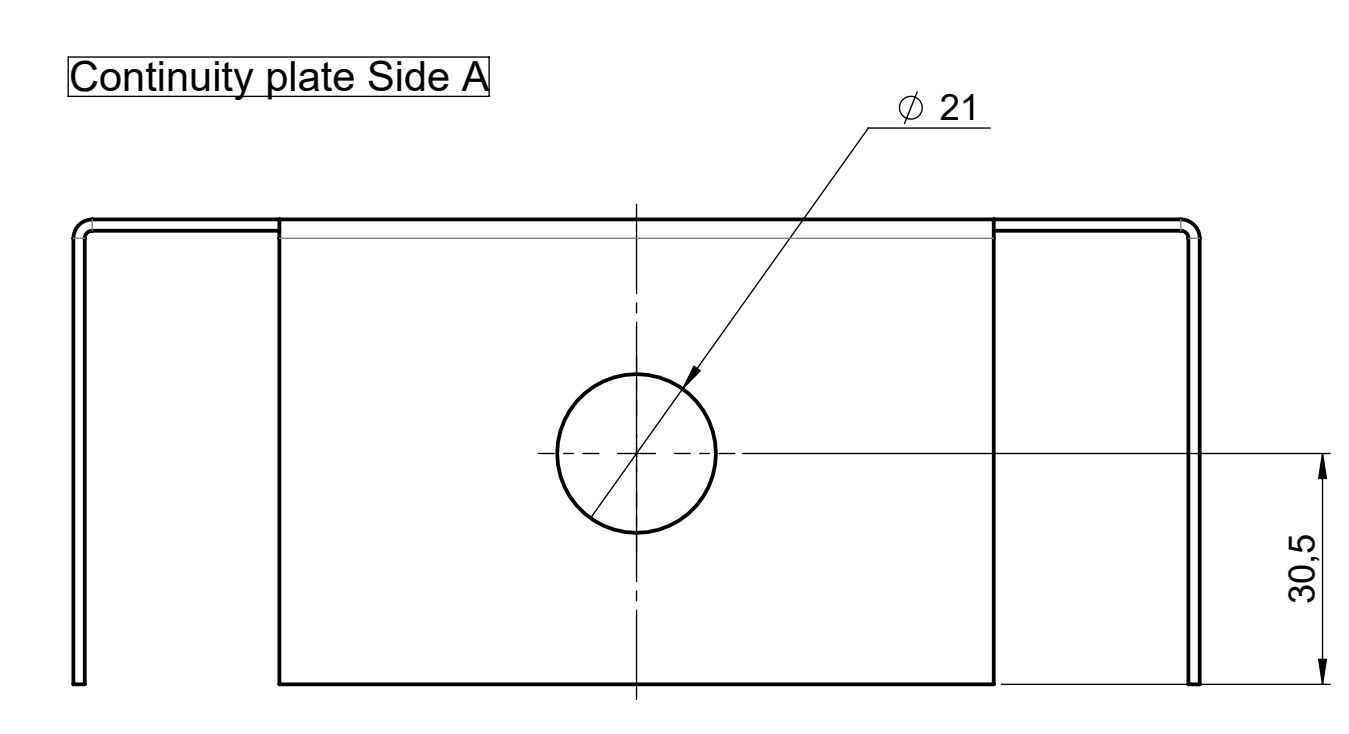
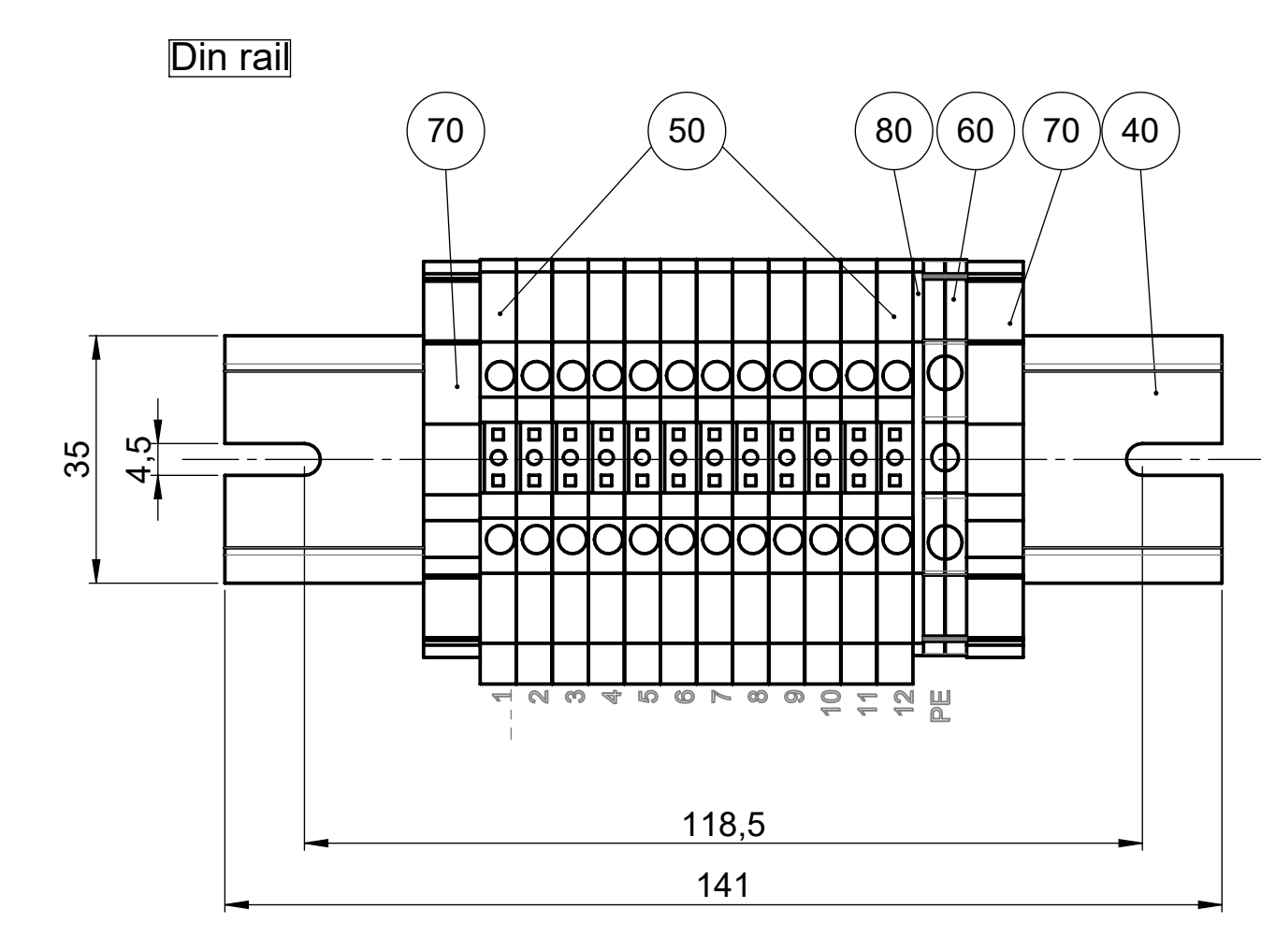
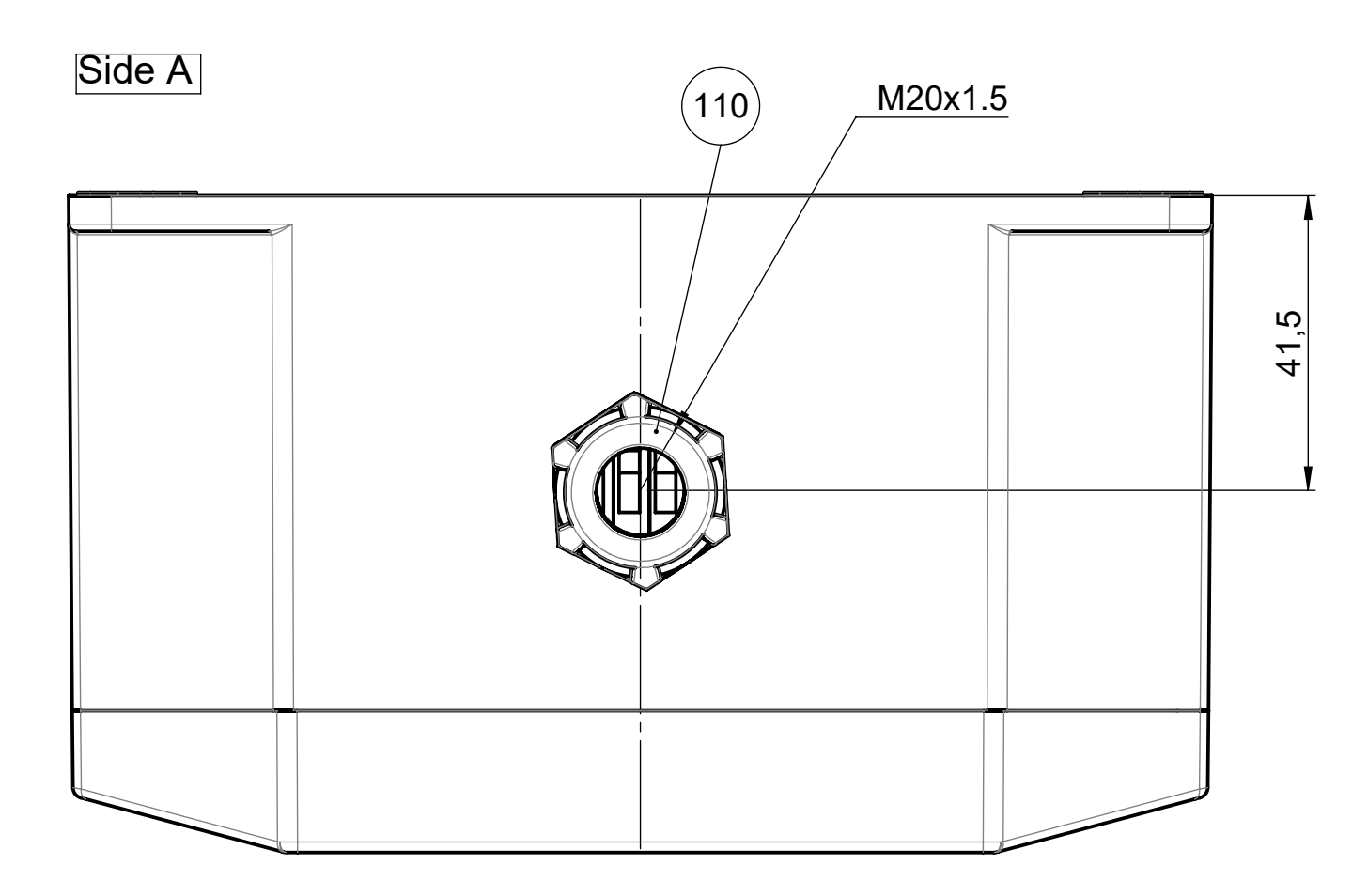
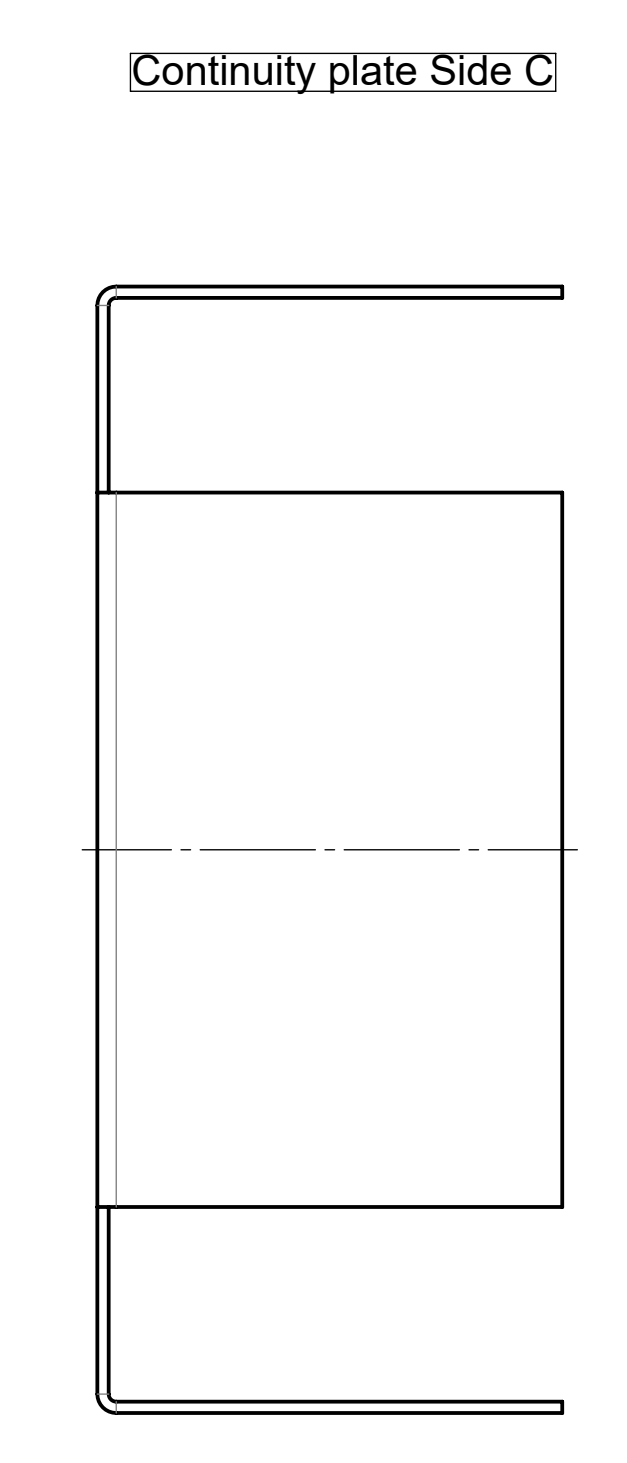
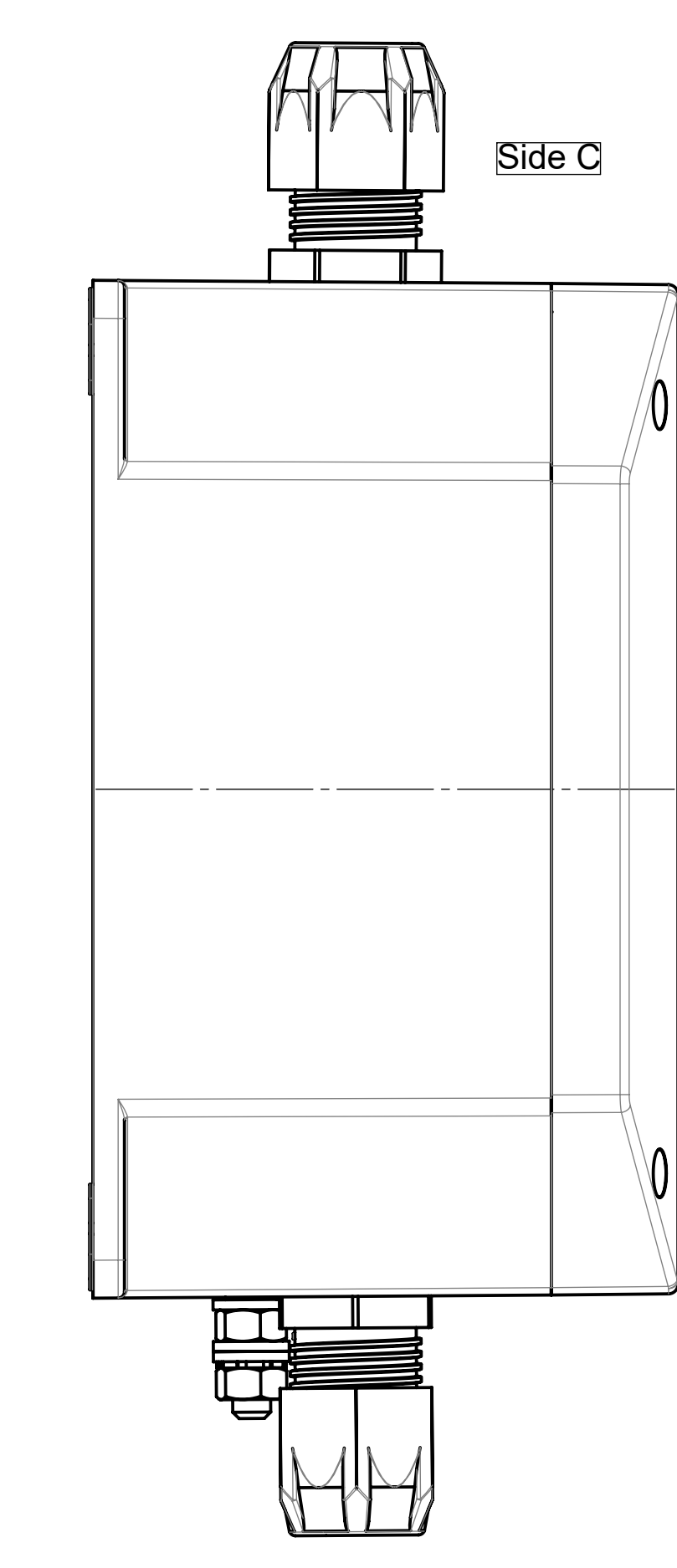
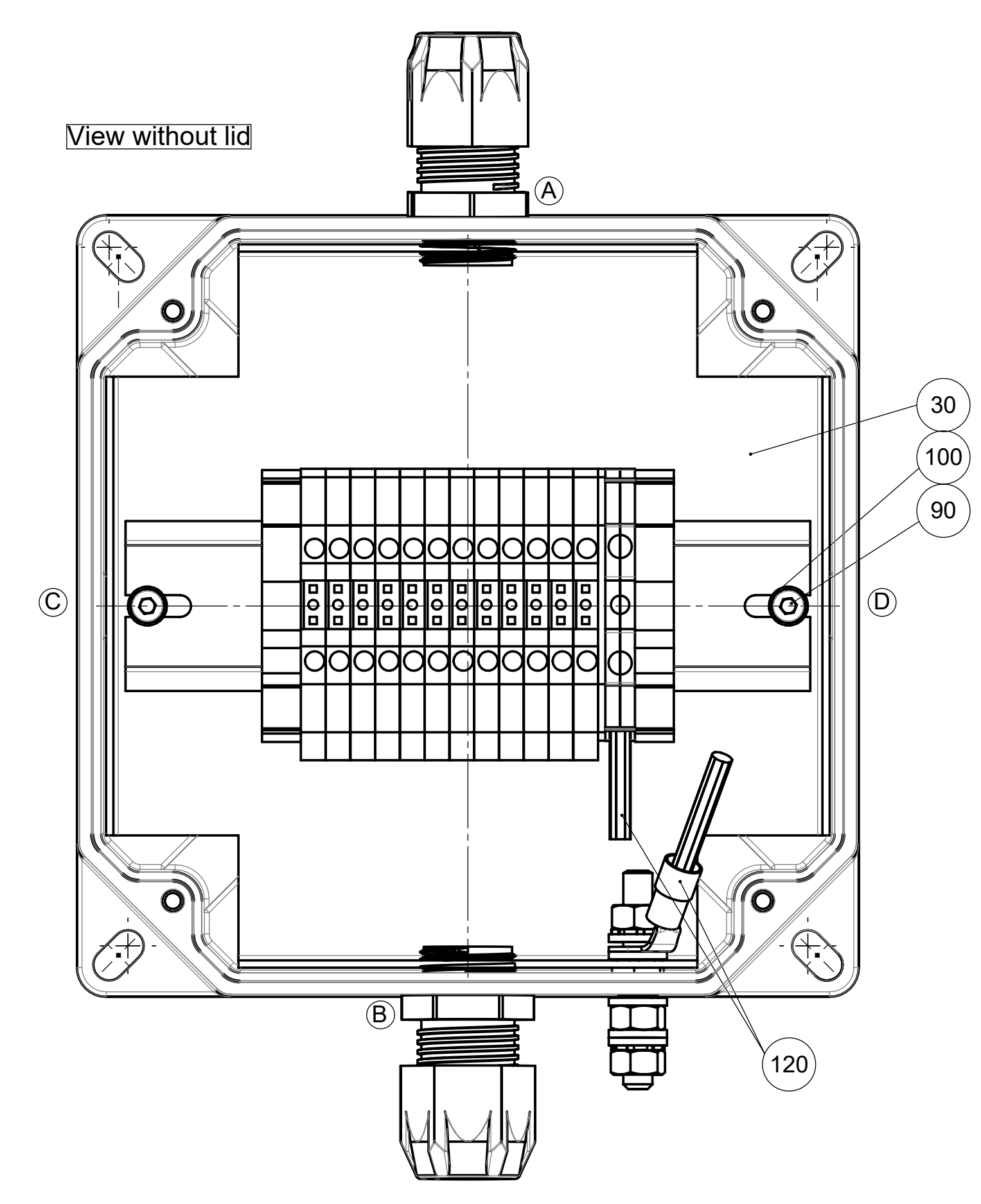
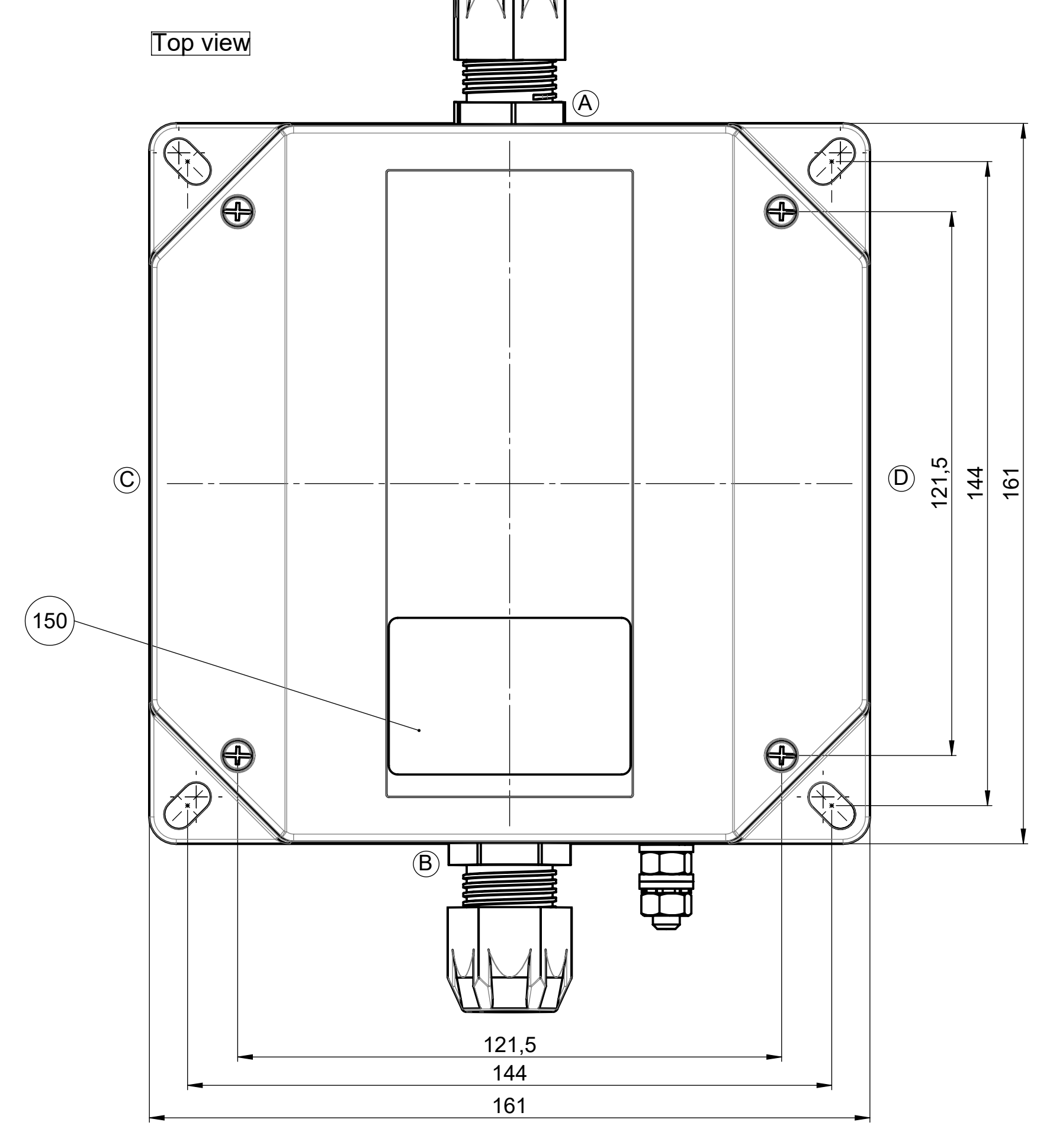
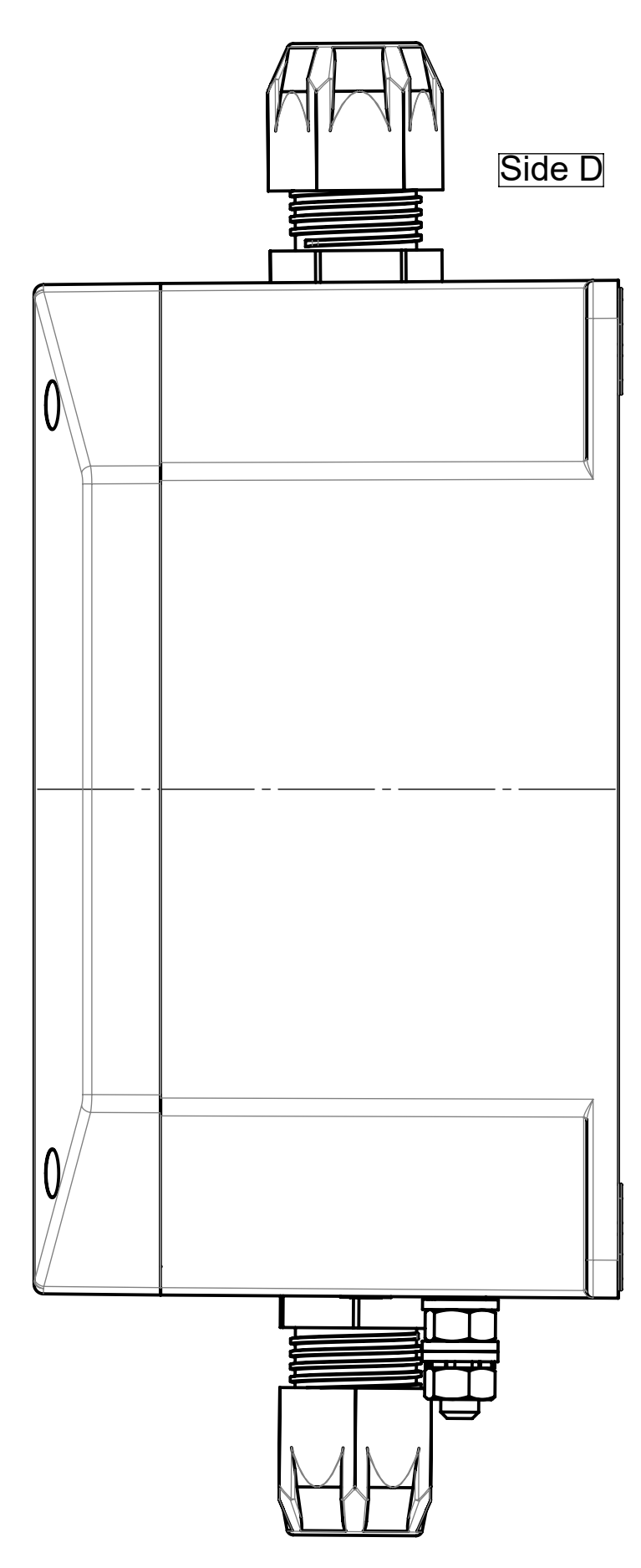
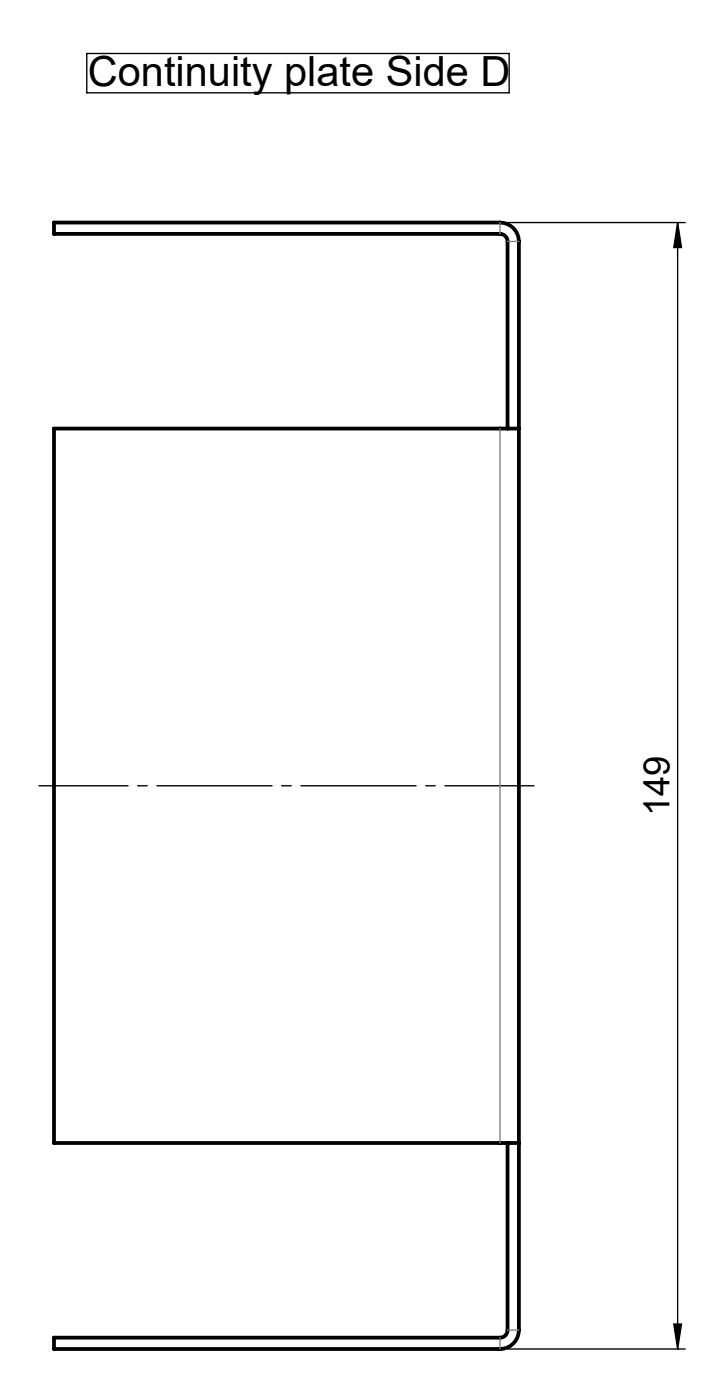
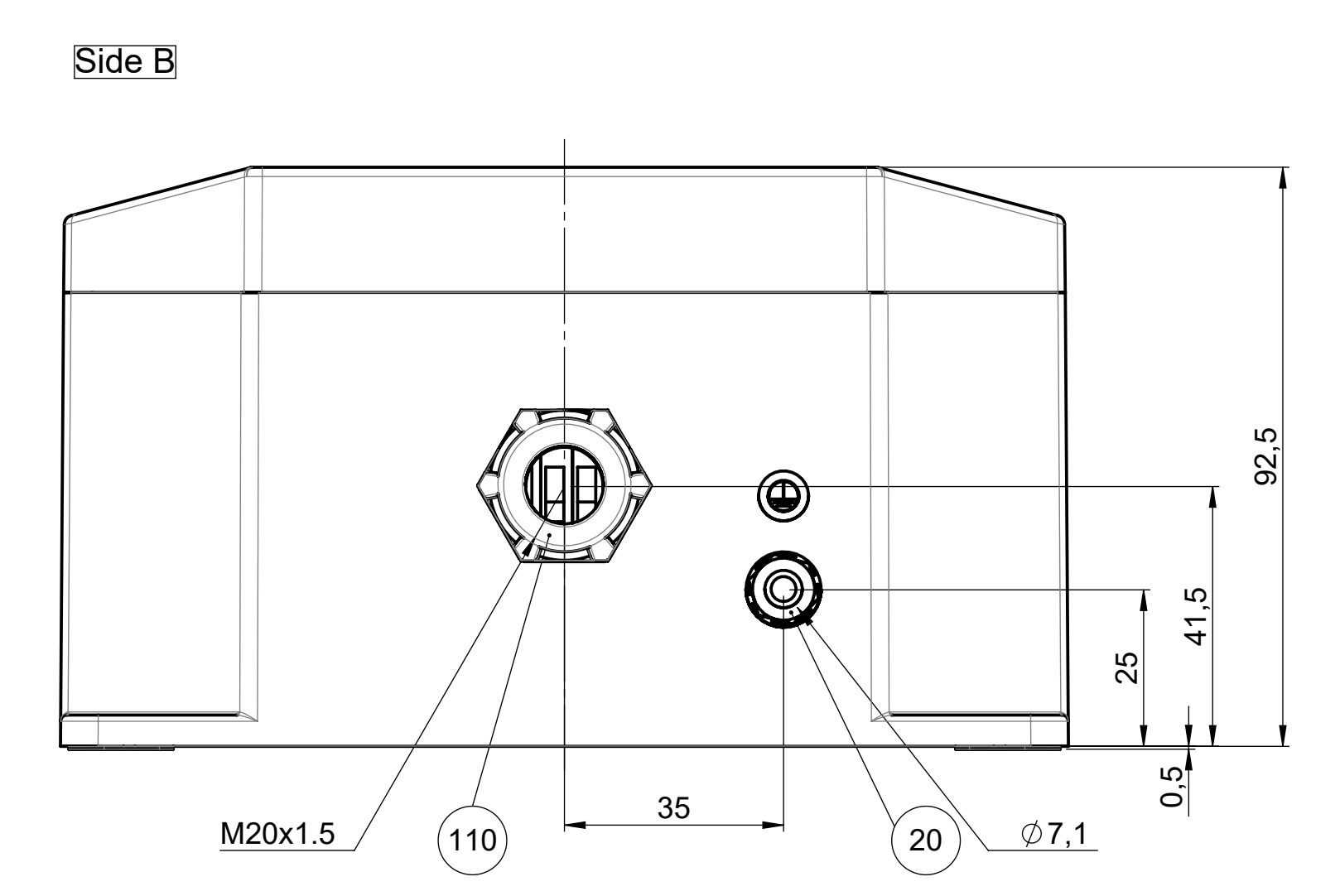
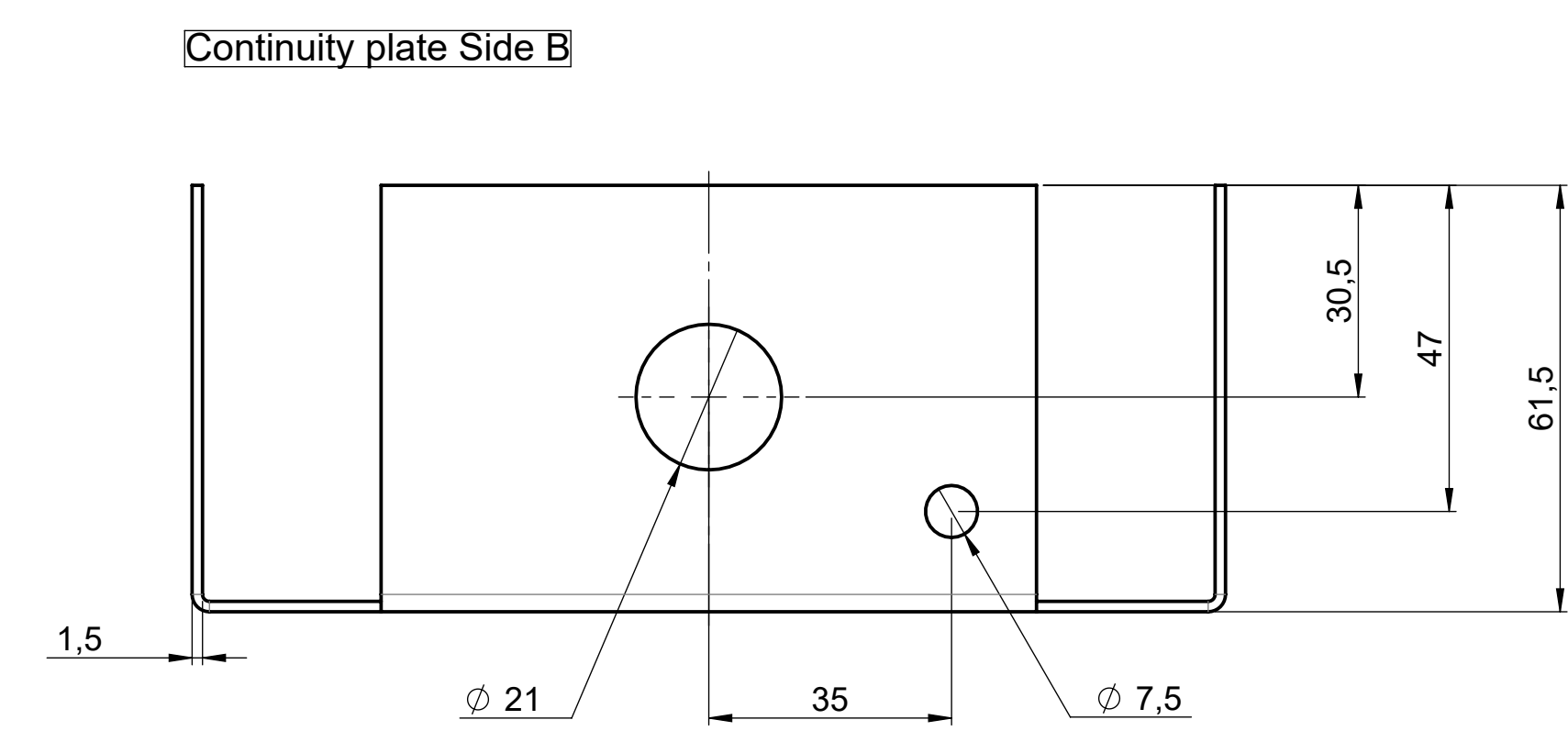


All rights reserved. No copies or reproductions are permitted without the written consent of ROSE Systemtechnik GmbH.



Item	Qty.	Unit	Number	Description	Manufacturer	Order-No.:
10	1	ST	268803000	Polyester OktaBox Ex empty enclosure	n/a	n/a
20	1	ST	512250	Earth bolt M6 complete	n/a	n/a
30	1	ST	952670	continuity plate 06/16 880300	n/a	n/a
40	0.141	M	910030	DIN rail 35/7.5	n/a	n/a
50	12	ST	984160	Terminal WDU 2.5, blue	Weidmüller	1020080000
60	1	ST	881630	Earth terminal WPE 4, gn/ye	Weidmüller	1010100000
70	2	ST	983440	End clamp WEW 35/2, dark beige	Weidmüller	1061200000
80	1	ST	881650	End plate WAP 2.5-10	Weidmüller	1050000000
90	2	ST	934010	Cylinder screw DIN912 M4x6 ST gv	n/a	n/a
100	2	ST	830340	Serrated lock washer DIN 6798-A 4,3-phr	n/a	n/a
110	2	ST	080112200	Cable gland Ex i PA M20 x 1.5, bu	Bimed	EHIBMI-X2S
120	1	ST	40000023060	Earth cable 4mm², M6/CES,L=150mm,gn/ye	n/a	n/a
130	1	ST	40000042924	Operat. man. Ex e equip ATEX/IECEx DE/EN	n/a	n/a
140	1	ST	921660	Assembly table for type 06/16 880300	n/a	n/a
150	1	ST	751090	Ex e type label, foil, 54x35, E	n/a	n/a

ROSE Systemtechnik GmbH 32457 Porta Westfalica		Datum/Date: 24.06.21 Name: T.Sch. created: 24.06.21 checked: M.Sch.	Projekt-Nr./project-no.: AB 1583221 Farbe/color: 1637 g Gewicht/weight: 1637 g Werkstoff/material: grü u. roterfrei ISO 2768-ML DIN ISO 13715
Benennung/Description: Polyester Ex ia Okta Box Polyester Ex ia Okta Box		Maßstab/Scale: 1:1 Zeichnung/Drawing: A8025	Bemerkung/Note: