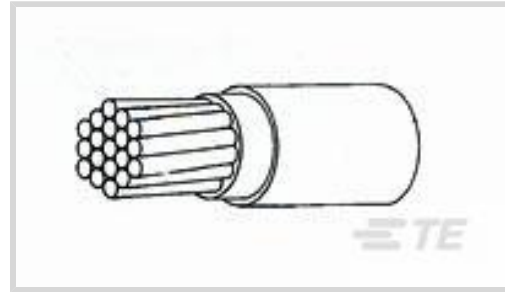




Wire & Cable > Hook Up Wire



Cable Type: **Spec 44**

Voltage Rating: **600 V**

Insulation Material: **Modified Radiation Cross-linked PVDF**

Conductor Material: **Tin-Coated Copper**

Wire Size: **28 AWG**

## Features

### Product Type Features

Cable Style	Primary
Product Type	Cable
Product Classification	Cable - High Performance - Spec 44, 55 & RCW
Cable Type	Spec 44

### Configuration Features

Number of Conductors	1
Number of Strands	7

### Electrical Characteristics

Voltage Rating	600 V
----------------	-------

### Body Features

Wire Color	Orange
Insulation Material	Modified Radiation Cross-linked PVDF
Conductor Material	Tin-Coated Copper

### Dimensions

Overall Outside Diameter	.76 mm[.03 in]
Wire Diameter	.76 mm[.03 in]
Conductor Diameter	.38 mm[.015 in]
Strand Size	36 AWG



Wire Size	28 AWG
-----------	--------

### Usage Conditions

Operating Temperature Range	-65 – 150 °C
-----------------------------	--------------

### Other

Wire Source	United Kingdom
-------------	----------------

## Product Compliance

[For compliance documentation, visit the product page on TE.com>](#)

EU RoHS Directive 2011/65/EU	Compliant
EU ELV Directive 2000/53/EC	Compliant
China RoHS 2 Directive MIIT Order No 32, 2016	No Restricted Materials Above Threshold
EU REACH Regulation (EC) No. 1907/2006	Current ECHA Candidate List: JAN 2019 (197) Candidate List Declared Against: JAN 2019 (197)
Halogen Content	Out of Scope - excluded from Halogen requirements
Solder Process Capability	Not applicable for solder process capability

#### Product Compliance Disclaimer

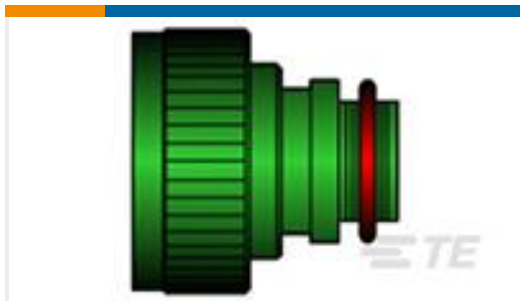
This information is provided based on reasonable inquiry of our suppliers and represents our current actual knowledge based on the information they provided. This information is subject to change. The part numbers that TE has identified as EU RoHS compliant have a maximum concentration of 0.1% by weight in homogenous materials for lead, hexavalent chromium, mercury, PBB, PBDE, DBP, BBP, DEHP, DIBP, and 0.01% for cadmium, or qualify for an exemption to these limits as defined in the Annexes of Directive 2011/65/EU (RoHS2). Finished electrical and electronic equipment products will be CE marked as required by Directive 2011/65/EU. Components may not be CE marked. Additionally, the part numbers that TE has identified as EU ELV compliant have a maximum concentration of 0.1% by weight in homogenous materials for lead, hexavalent chromium, and mercury, and 0.01% for cadmium, or qualify for an exemption to these limits as defined in the Annexes of Directive 2000/53/EC (ELV). Regarding the REACH Regulations, TE's information on SVHC in articles for this part number is still based on the European Chemical Agency (ECHA) 'Guidance on requirements for substances in articles' (Version: 2, April 2011), applying the 0.1% weight on weight concentration threshold at the finished product level. TE is aware of the European Court of Justice ruling of September 10th, 2015 also known as O5A (Once An Article Always An Article) stating that, in case of 'complex object', the threshold for a SVHC must be applied to both the product as a whole and simultaneously to each of the articles forming part of its composition. TE has evaluated this ruling based on the new ECHA "Guidance on requirements for substances in articles" (June 2017, version 4.0) and will be updating its statements accordingly.

## Compatible Parts

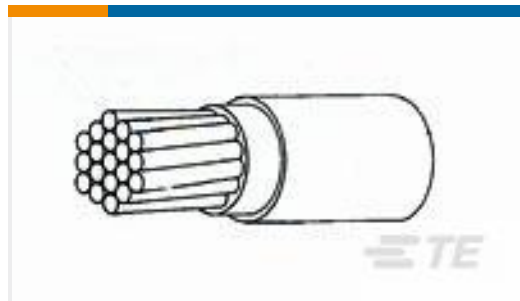


TE Part # 38943-22L  
CONT SOC ASSY

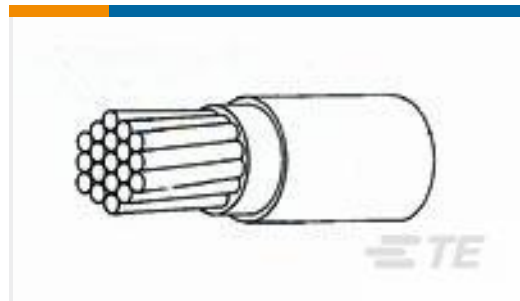
### Customers Also Bought



TE Part #423509-000  
TXR40AB00-1608BI



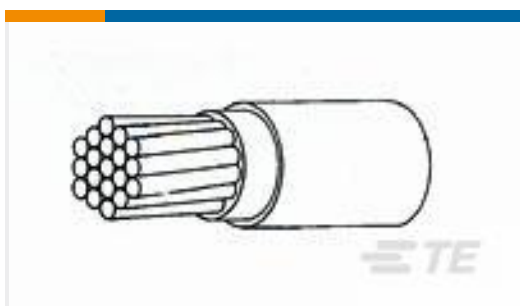
TE Part #2820843007  
44A0111-28-4



TE Part #2820883008  
44A0111-28-8



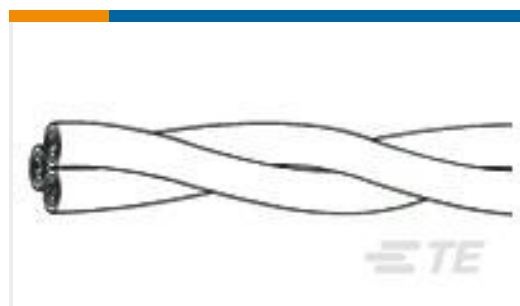
TE Part #641131-000  
TXR40AB00-1204BI



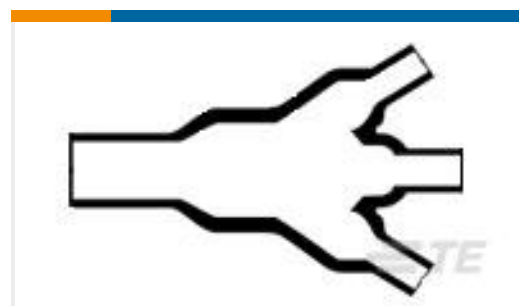
TE Part #2820873007  
44A0111-28-7



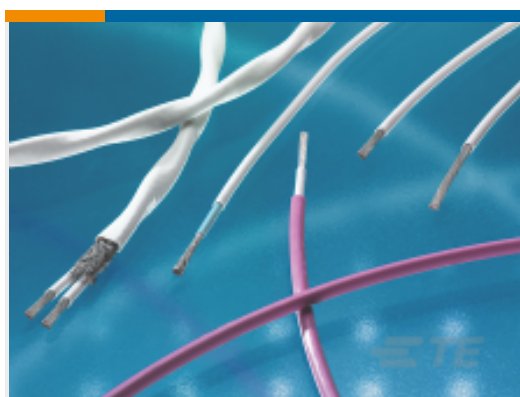
TE Part #3828773001  
44A0121-16-2/6



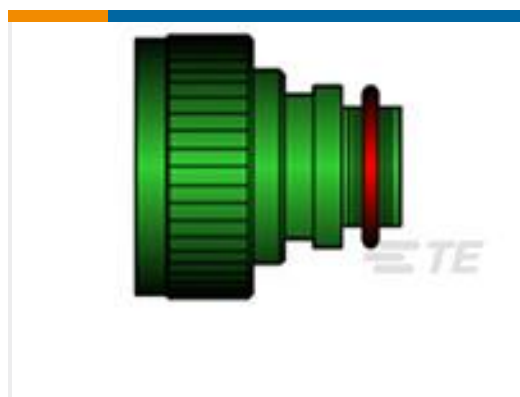
TE Part #383027-000  
44A0131-24-0/2/9



TE Part #391025-000  
462A011-100-0



TE Part #3164373001  
55A0121-24-6/9



TE Part #701373-000  
TXR40AB00-1207BI

### Documents

#### Product Drawings

[44A0111-28-3](#)

English

#### Datasheets & Catalog Pages

[1654025\\_Sec9\\_SPEC44](#)

English

# Mouser Electronics

Authorized Distributor

Click to View Pricing, Inventory, Delivery & Lifecycle Information:

[TE Connectivity:](#)

[44A0111-28-3](#)