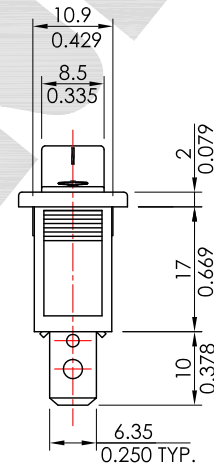
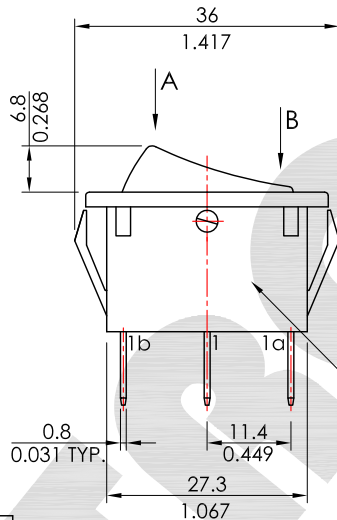
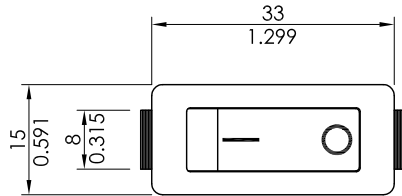
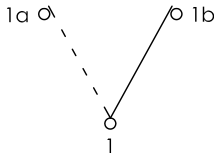


*開關產品未經SWITRONIC同意，請勿拆解，否則無法負品質及安全責任。
Please do not decompose the switch without any permission from SWITRONIC, otherwise the quality and safety responsibility could not be guaranteed.

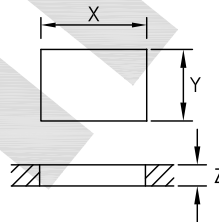
*本圖面若與目錄之規格尺寸不符，以本圖面規格尺寸為主。
Below is our main specification if different from catalog.

SCHEMATIC



POLE FUNCTION	OPTIONS OF FUNCTION () : Momentary		
	A		B
SPDT	1-1a		(1-1b)

PANEL CUT-OUT		
Z	Y	X
0.7~1.25	11.1~11.2	29.6~29.7
0.028~0.049	0.437~0.441	1.165~1.169
1.25~2.0	11.1~11.2	30.1~30.2
0.049~0.079	0.437~0.441	1.185~1.189
2.0~3.0	11.1~11.2	30.45~30.55
0.079~0.118	0.437~0.441	1.199~1.203



MODEL NO.	TYPE
2	ON ON
4	ON (ON)

HOUSING COLOR	
B	Black
W	White
G	Gray

R4X5XXXT-G

ROCKER COLOR	
B	Black
W	White
G	Gray
R	Red
Y	Yellow
GN	Green

MARKING
refer to our catalog

RoHS compliant



SPECIFICATION

Rating: 16A 250V AC/20A 125V AC.
Contact resistance: < 20mΩ.(initial)
Insulation resistance: > 1,000MΩ.(500V DC between open contacts)
Withstand voltage: > 1,500V DC for 1 minute.
Minimum load: 300mA 10V DC.(reference only)
Mechanical life: > 30,000 Cycles.
Electrical life: > 10,000 Cycles.
Temperature rise at the terminal: 30°C Max.
When proceed with soldering, please pay attention to following:
For manual soldering method, must use 30W soldering iron and complete the operation under 350°C within 3 seconds. For dip soldering method, must complete the operation within 3 seconds with the temperature of 250°C.
Note1: Unwashable, don't be immersed by epoxy and organic solvent.
Note2: Please check the actual size, do not scale the drawing page.

V2.3	△		
V2.2	無	圖面更新	2015.04.30
V2.1	無	改版	2008.01.02
V2.0	無	新繪製	2006.04.17
版本 VER.	符號 SYMBOL	修改內容 ALTERATION	更新日期 DATE

產品 PRODUCT		Rocker Switch		型號 MODEL NO.		R425BBBT-G	
比例 SCALE	1:1	單位 UNIT	mm				
公差 TOLERANCE	.X=±0.4mm, .XX=±0.25mm						
製圖 DRAWN BY	核圖 CHECKED BY	主管 APPROVED BY					
Allen Liao	Chuck Young	Margaret Lee					

一綺電子企業股份有限公司
總公司：110 台北市信義路四段415號13樓之3
13F-3 NO. 415, SEC. 4, HSIN YI ROAD, TAIPEI, TAIWAN
TEL : 886-2-27290229 (Rep.) FAX : 886-2-27582086
URL : http://www.switronic.com.tw
E-MAIL : switches@ms36.hinet.net