



## Cat. 6A Module Plug, UTP

Part no.: MP0071

### Technical Features

Cat. 6A RJ45 8P8C plug, unshielded

With gold plated

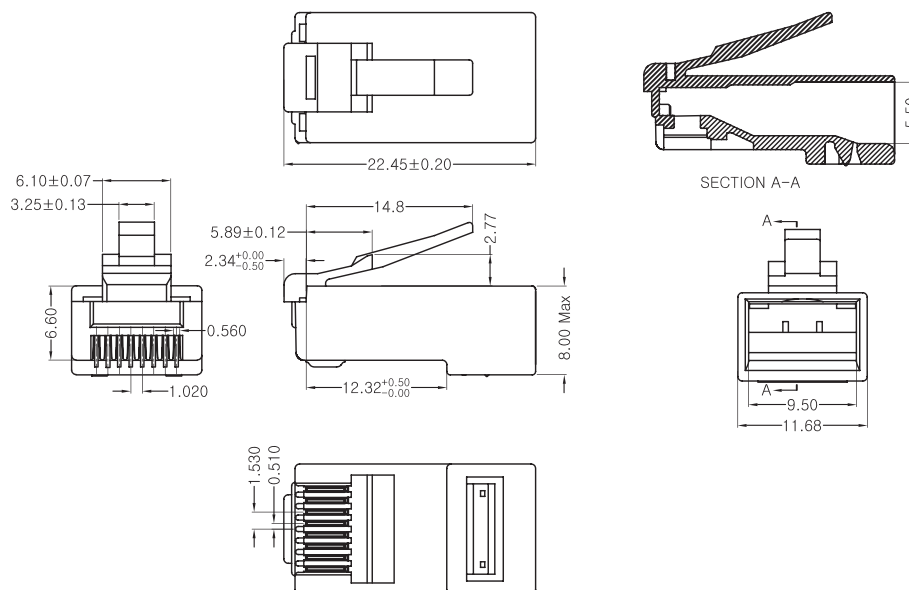
For solid wire AWG23 to AWG26

For stranded wire AWG26 to AWG27

Set incl. plug and 2 guide plate

Set with 50pcs each

### Technical Drawings



MP0071



4 052792 049367

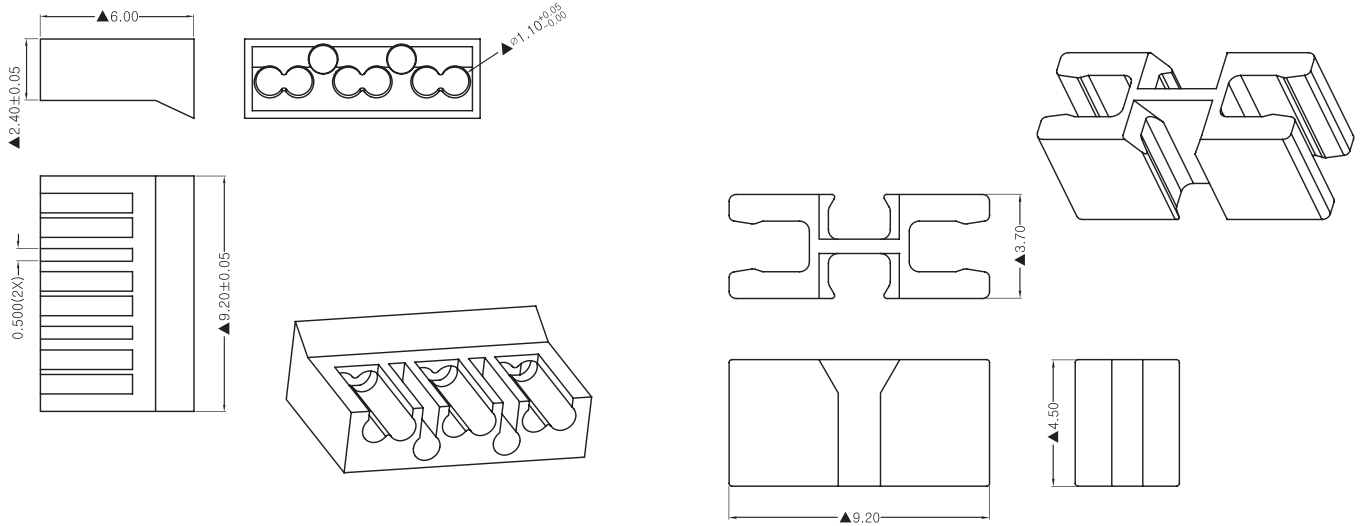
Made in China

[www.logilink.de](http://www.logilink.de)



RoHS  
compliant

\* The specifications and pictures are subject to change without notice.  
\*All trade names referenced are the registered trademark of their respective owners.



## Package Contents

Cat. 6A Module Plug, UTP

## Packaging Informations

Packing Dimension	170 x 130 x 30mm
Packing Weight	0.088kg
Carton Dimension	395 x 395 x 245mm
Carton Q'ty	100pcs
Carton Weight	9kg



MP0071



4 052792 049367

Made in China

[www.logilink.de](http://www.logilink.de)



RoHS  
compliant

\* The specifications and pictures are subject to change without notice.  
\*All trade names referenced are the registered trademark of their respective owners.