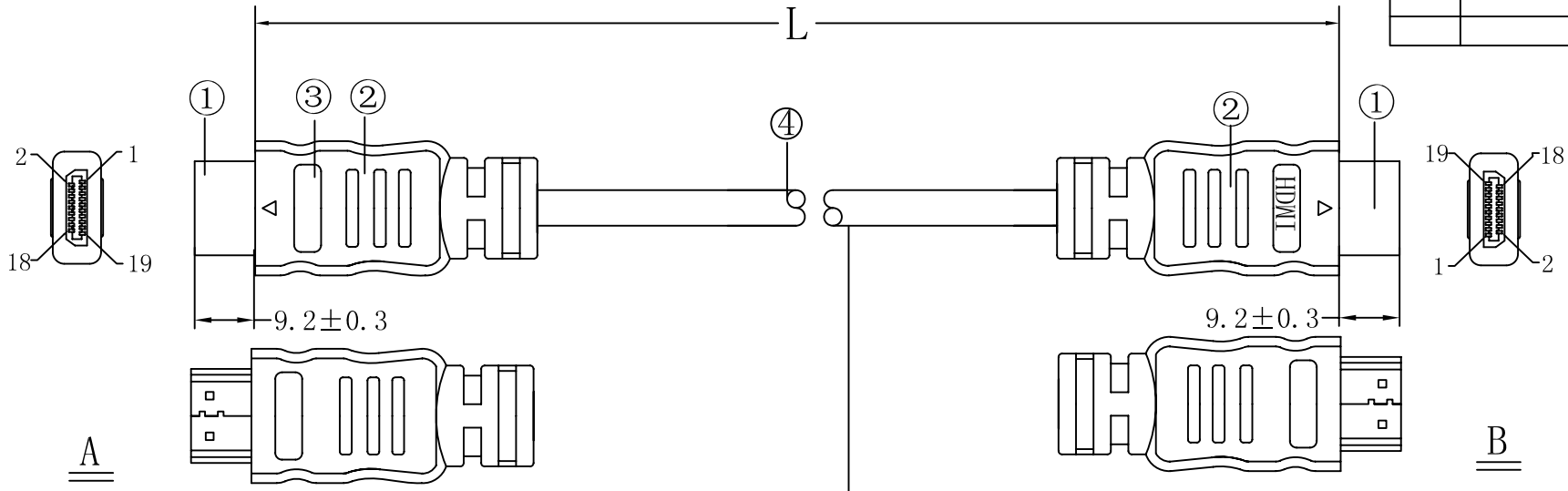


REV	RESRIPTION	DATE



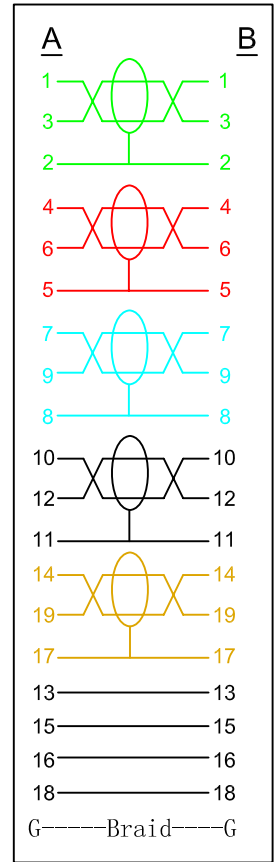
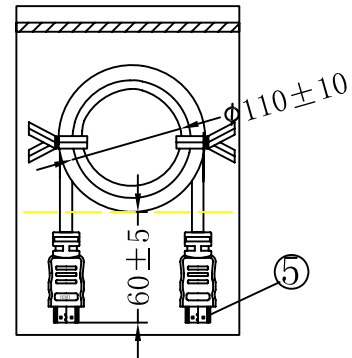
VCOM AWM 20276 80°C 30V VW-1 High Speed HDMI Cable With Ethernet

Cable length (L)	Tolerance (T)
1800	20
3000	30
5000	50

Test Conditions:

1. 100% open & short circuit test;
2. Insulation Resistance: 2.0ohm (MAX);
3. Conduction Resistance: 10Mohm (MIN) at 300V DC/0.01S .

PACKING DRAWING:



NOT: COAX

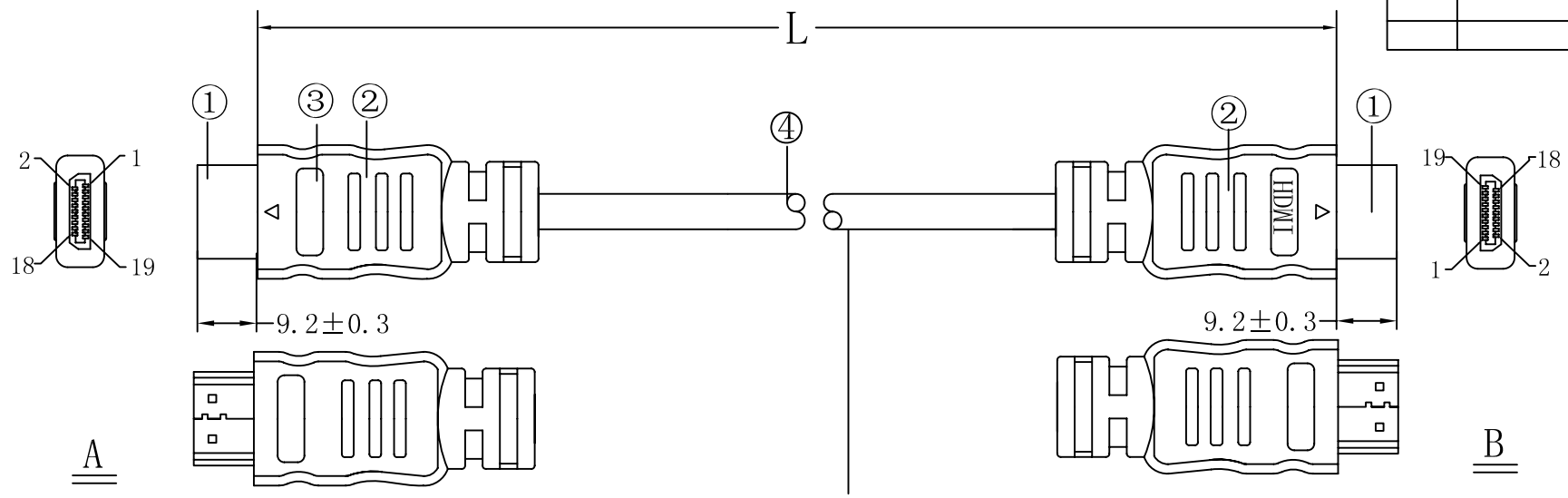
⑤	HDMI BOOT:PVC, TRANSPARENT, 65P, ANTIOXIDANT		PCS	2	
④	INNER MOLDING:HDPE		g		
③	CABLE: [(30AWG*1P+DW+AL Foil+MYLAR)*5P+1P+2C]+AL Foil+DW+BD 1.4V, OFC Conductor BLACK OD:7.3mm		mm	L	
②	OVER MOLDING:50P PVC BLACK	520-6107-50	g		
①	HDMI 19PIN MALE SOLDERING TYPE GOLD PLATED		PCS	2	S-D100B/S-D100A
NO.	MATERIAL DESCRIPTION	MATERIAL NUMBER	UNIT	QTY	MOLD NO. :



VCOM International Ltd.

TITLE	HDMI19PM/M	CUSTOMER	ETE	UNIT	mm	PAGE: 1 of 1
PART NO.	SAM-AC-0107A	CUSTOMER NO.				
PRODUCT NO.		REV	A/0	DATE	2016-05-10	
DRAWN BY:	Xiang	CHECKED BY:		APPROVED BY:		

REV	RESRIPTION	DATE



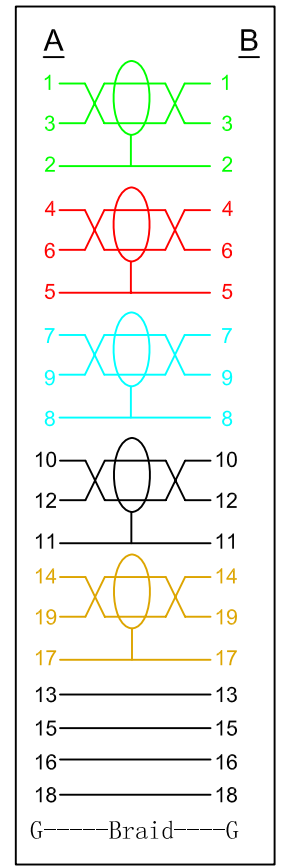
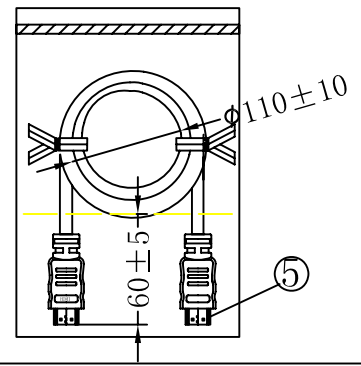
VCOM AWM 20276 80°C 30V VW-1 High Speed HDMI Cable With Ethernet

Cable length (L)	Tolerance (T)
10000	100

Test Conditions:

1. 100% open & short circuit test;
2. Insulation Resistance: 2.0ohm (MAX);
3. Conduction Resistance: 10Mohm (MIN) at 300V DC/0.01S .

PACKING DRAWING:



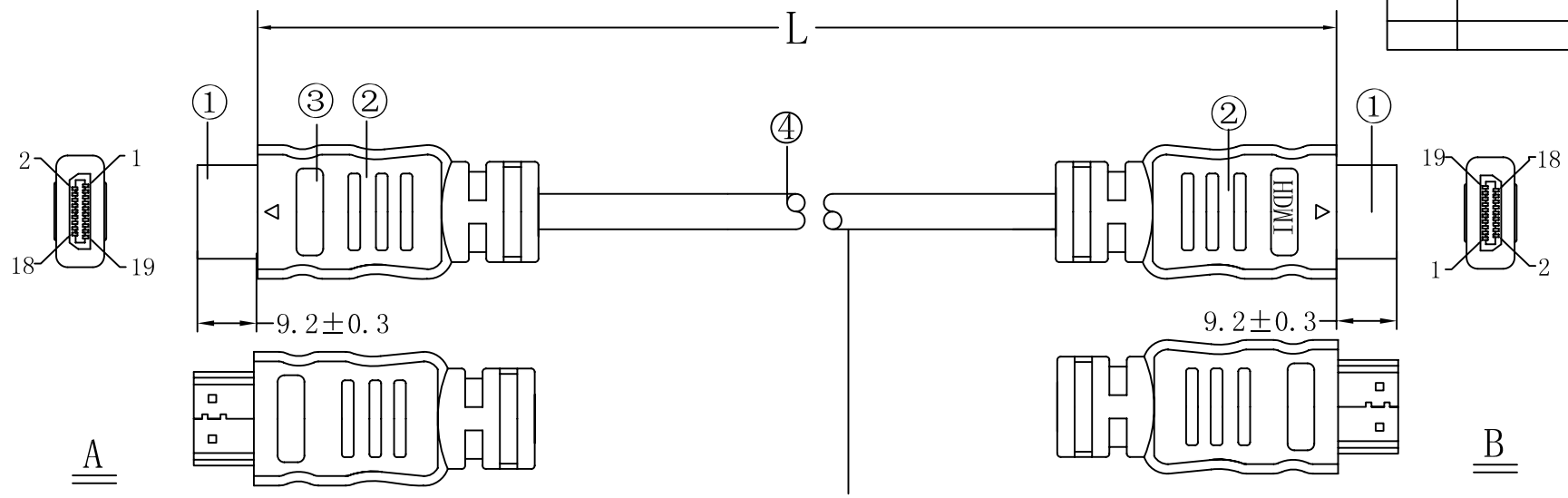
NOT: COAX

⑤	HDMI BOOT:PVC, TRANSPARENT, 65P, ANTIOXIDANT		PCS	2	
④	INNER MOLDING:HDPE		g		
③	CABLE: [(28AWG*1P+DW+AL Foil+MYLAR)*5P+1P+2C]+AL Foil+DW+BD 1.4V OFC Conductor BLACK OD:7.3mm		mm	L	
②	OVER MOLDING:50P PVC BLACK	520-6107-50	g		
①	HDMI 19PIN MALE SOLDERING TYPE GOLD PLATED		PCS	2	S-D100B/S-D100A
NO.	MATERIAL DESCRIPTION	MATERIAL NUMBER	UNIT	QTY	MOLD NO. :

VCOM International Ltd.

TITLE	HDMI19PM/M	CUSTOMER	ETE	UNIT	mm	PAGE: 1 of 1
PART NO.	SAM-AC-0108A	CUSTOMER NO.				
PRODUCT NO.		REV	A/0	DATE	2016-05-10	
DRAWN BY: Xiang		CHECKED BY:		APPROVED BY:		

REV	RESRIPTION	DATE



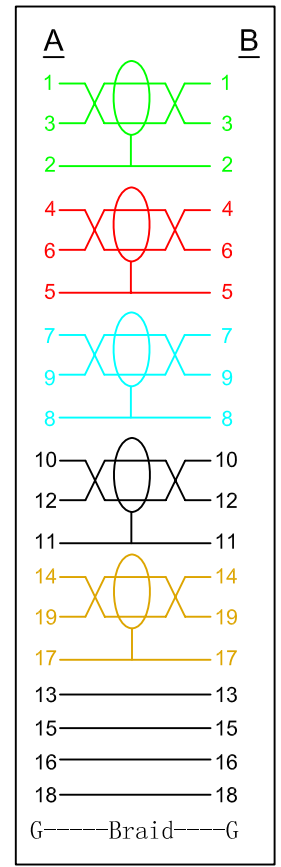
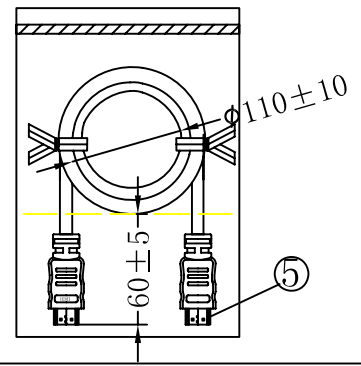
VCOM AWM 20276 80°C 30V VW-1 High Speed HDMI Cable With Ethernet

Cable length (L)	Tolerance (T)
20000	200

Test Conditions:

1. 100% open & short circuit test;
2. Insulation Resistance: 2.0ohm (MAX);
3. Conduction Resistance: 10Mohm (MIN) at 300V DC/0.01S .

PACKING DRAWING:



NOT: COAX

⑤	HDMI BOOT:PVC, TRANSPARENT, 65P, ANTI-OXIDANT		PCS	2	
④	INNER MOLDING:HDPE		g		
③	CABLE:[(24AWG*1P+DW+AL Foil+MYLAR)*5P+1P+2C]+AL Foil+DW+BD 1.4V OFC Conductor BLACK OD:9.0mm		mm	L	
②	OVER MOLDING:50P PVC BLACK	520-6107-50	g		
①	HDMI 19PIN MALE SOLDERING TYPE GOLD PLATED		PCS	2	S-D100B/S-D100A
NO.	MATERIAL DESCRIPTION	MATERIAL NUMBER	UNIT	QTY	MOLD NO. :

VCOM International Ltd.

TITLE	HDMI19PM/M	CUSTOMER	ETE	UNIT	mm	PAGE: 1 of 1
PART NO.	SAM-AC-0109A	CUSTOMER NO.				
PRODUCT NO.		REV	A/0	DATE	2016-05-10	
DRAWN BY: Xiang		CHECKED BY:		APPROVED BY:		