

MODEL PAXCDC -MODBUS OUTPUT OPTION CARD

DESCRIPTION

This product bulletin covers the MODBUS Communication Card for the PAX Meters. The card will allow the PAX Meter to transmit Display Values,

Setpoints and Reset Values via MODBUS RS485 communication, in the RTU and ASCII modes.

INSTALLING AN OPTION CARD

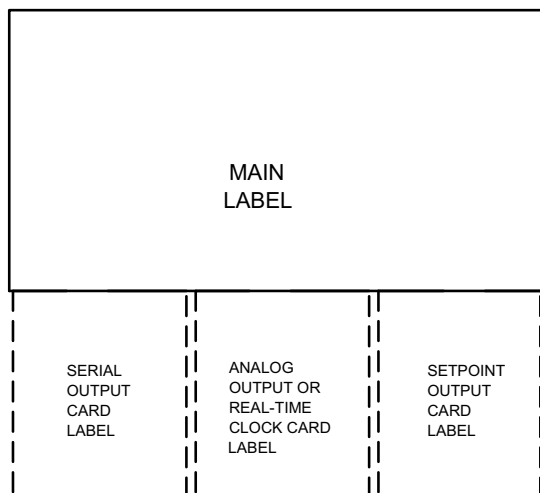
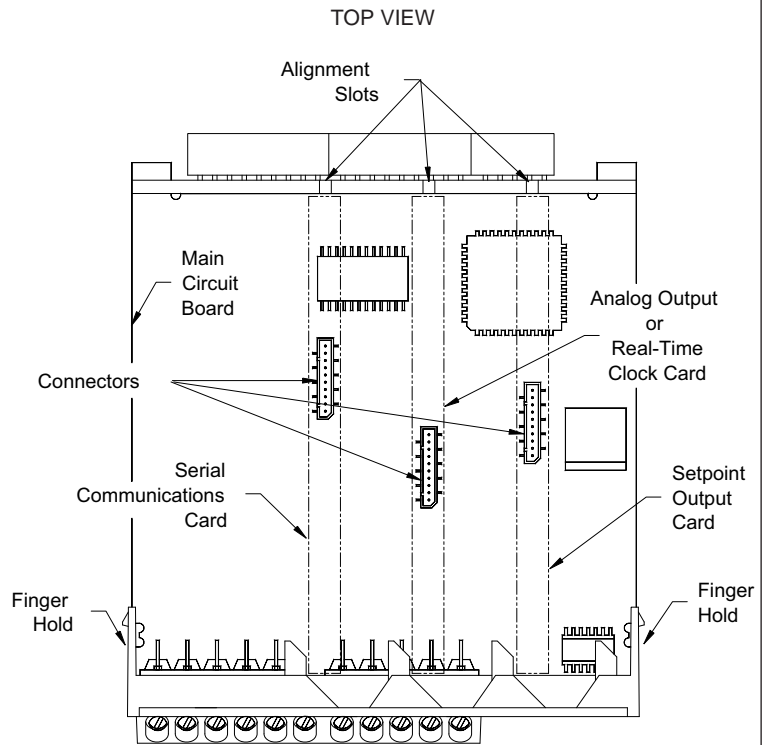


Caution: The option and main circuit cards contain static sensitive components. Before handling the cards, discharge static charges from your body by touching a grounded bare metal object. Ideally, handle the cards at a static controlled clean workstation. Also, only handle the cards by the edges. Dirt, oil or other contaminants that may contact the cards can adversely affect circuit operation.



Warning: Exposed line voltage exists on the circuit boards. Remove all power to the meter AND load circuits before accessing the unit.

1. Remove the main assembly from the rear of the case. Squeeze the finger holds on the rear cover, or use a small screwdriver to depress the side latches to release it from the case. It is not necessary to separate the rear cover from the main circuit card.
2. Locate the option card connector for the type of option card to be installed. Hold the unit by the rear connector, not the display board, when installing an option card.
3. Install the option card by aligning the option card connector with the slot in the rear cover. The cards are keyed by position with different main board connector locations. Be sure the connector is fully engaged and the tab on the option card rests in the alignment slot on the display board.
4. Slide the assembly back into the case. Be sure the rear cover latches fully into the case.
5. Apply the option card label to the bottom side of the meter. Do not cover the vents on the top surface of the meter. The surface of the case must be clean for the label to adhere properly. Apply the label to the area designated by the large case label.
6. See manual for wiring connections and programming procedures.



MODBUS SPECIFICATIONS

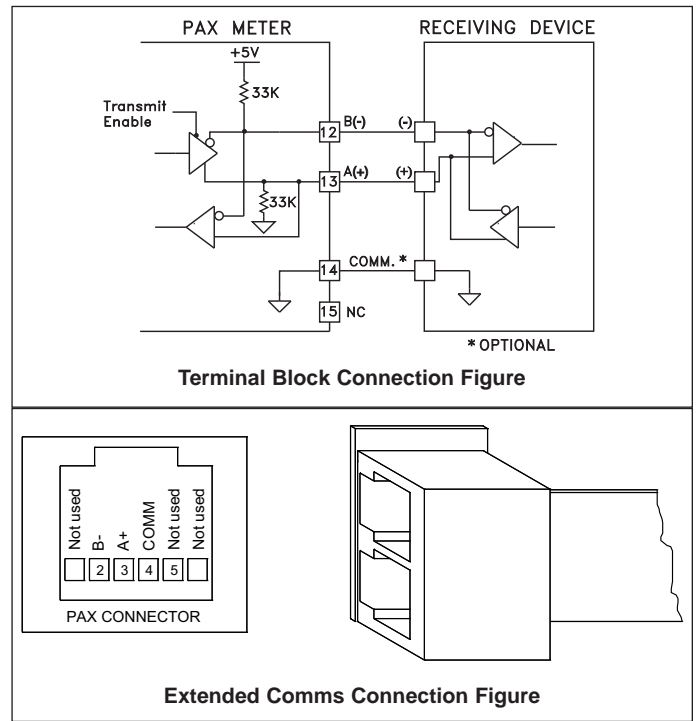
1. **Type:** RS485; RTU and ASCII MODBUS modes
2. **Isolation To Sensor & User Input Commons:** 500 Vrms for 1 minute.
Working Voltage: 50 V. Not isolated from all other commons.
3. **Baud Rates:** 300 to 38400.
4. **Data:** 7/8 bits
5. **Parity:** No, Odd, or Even
6. **Addresses:** 1 to 247.
7. **Transmit Delay:** Programmable; See Transmit Delay explanation.

ORDERING INFORMATION

MODEL	DESCRIPTION	PART NUMBER
PAXCDC	PAX MODBUS Output Card	PAXCDC40
PAXCDC	PAX MODBUS Output Card with RJ11 Connector	PAXCDC4C

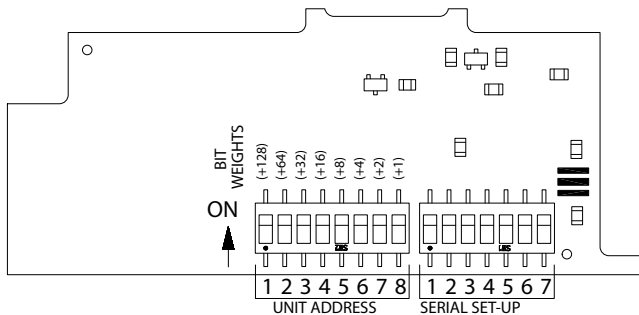
RS485 COMMUNICATIONS

The RS485 communication standard allows the connection of up to 32 devices on a single pair of wires, distances up to 4,000 ft. and data rates as high as 10M baud (the PAX is limited to 19.2k baud). The same pair of wires is used to both transmit and receive data. RS485 is therefore always half-duplex, that is, data cannot be received and transmitted simultaneously.



SERIAL SET-UP DIP SWITCH OPERATION

Serial port configuration is accomplished through two banks of DIP switches on the MODBUS card. The bank of 8 switches sets the Unit Address, the bank of 7 switches sets the Serial port parameters (ASCII/RTU, 7/8 bits, Parity, and Baud rate). Changes to the switch settings are only detected on power-up of the unit. After changing a switch setting, power to the unit must be cycled for the new switch setting to take effect.



For the serial bank, the following settings apply:

SWITCH	SETTINGS AVAILABLE		FACTORY SETTINGS
1	OFF: ASCII	ON: RTU	RTU
2	OFF: 7 Bits	ON: 8 Bits	8 Bits
3	OFF: None	ON: Parity	No Parity
4	OFF: Even	ON: Odd	OFF
5	Baud Rate	(See Baud Rate Switch Selections)	9600
6	Baud Rate		
7	Baud Rate		

BAUD RATE SWITCH SELECTIONS

	5	6	7
38400:	ON	ON	ON
19200:	ON	ON	OFF
9600:	ON	OFF	ON
4800:	ON	OFF	OFF
2400:	OFF	ON	ON
1200:	OFF	ON	OFF
600:	OFF	OFF	ON
300:	OFF	OFF	OFF

Both unit address and serial set-up are set via DIP switches on the MODBUS option card. See the DIP switch setting table for more details on these DIP switches.

For the Unit Address bank, the high order bit is switch 1, and the ON position is a '1', the OFF position is a '0'. Legal unit addresses are 1 to 247. When a Unit Address of 0 is selected, the card responds to Unit Address 1. When a Unit Address of 248 through 255 is selected, the card responds to Unit Address 247.

MODBUS SUPPORTED FUNCTION CODES

COIL FUNCTIONS

FC01: Read Coils

FC05: Force Single Coil, FC15: Force Multiple Coils.

- Valid coil addresses are 1-49.
- Block starting point can not exceed coil 49.

HOLD REGISTER FUNCTIONS

FC03: Read Holding Registers.

FC06: Preset Single Register, FC16: Preset Multiple Registers.

- Valid register address are 40001 – 40039, 40041, 40042, 41001 – 41010.
- Up to 16 registers can be requested at one time.
- Block starting point can not exceed the register boundaries.
- Holding registers are a mirror of Input registers (FC04).
- Unused registers will return a value of HEX <8000>.
- If a register is implemented, but does not exist for a particular unit configuration (such as SP3, SP4) a value of HEX <0000> will be returned.
- Registers 41001 – 41010 contain the slave ID. See FC17.
- Broadcast write is supported for FC06 & FC16. Register writes using address “0” will be recognized by the MODBUS card, regardless of address DIP switch setting.

OTHER SUPPORTED FUNCTIONS

FC04:

Returns the same values as FC03, except the register number starts with “3” (Ex: Pax Input Hi is 30001)

FC08 – Fetch Comm. Event Counter.

The MODBUS response breaks down as follows:

```
“:010804”<TOT HI><TOT LO><GOOD HI><GOOD LO>XX<CR><LF>
```

The “TOT HI” and “TOT LO” values are the total number of messages that were received, that started with the card’s address. The “GOOD HI” and “GOOD LO” are “good” messages (correct address, parity, and checksum). The values are reset on power up and every time the FC08 function is requested.

FC17 - Report Slave ID.

The following is sent upon FC17 request:

```
Unit Address, 17 (FC code), RLC-PAX(I or ?) 00?0, 0100 (for code version 1.00), 16 (number of read supported registers), 16 (number of write supported registers), 00 (number of registers available for GUID/Scratch pad memory), checksum of the string.
```

The following is the HEX of a PAXI (with unit address of 247):

```
:<F7><11><14><52><4C><43><2D><50><41><58><49><30><30><3F><30><01><00><00><10><00><10><00><00><XX><CR><LF>
```

XX is the LRC Checksum

PAX MANUAL MODE DESCRIPTION

(CSR) Control Status Register [40021]

The Control Status Register is used to directly control the meter’s outputs (setpoints and analog output), or view the state of the setpoint outputs and the status of the temperature sensor (PAXT only). The register is bit mapped with each bit position within the register assigned to a particular control function. The control functions are invoked by writing to each bit position. The bit position definitions are:

bit 0: SP1 Output	} 0 = output off 1 = output on	bit 5: Always stays 0, even if 1 is sent.
bit 1: SP2 Output		bit 6: Sensor Status (PAXT only)
bit 2: SP3 Output		0 = sensor normal
bit 3: SP4 Output		1 = sensor fail
bit 4: Manual Mode		bit 7: Always stays 0, even if 1 is sent.
0 = automatic mode		
1 = manual mode		

In Manual Mode, the setpoint outputs are defined by the values written to bits b0, b1, b2, b3; and the analog output is defined by the value written to the AOR. Internal control of these outputs is then overridden. In automatic mode, the setpoint outputs can only be reset off.

(MMR) Auto/Manual Mode Register [40036] (PAXI/DR/CK/TM)

This register sets the controlling mode for the outputs. In Auto Mode (0) the meter controls the setpoint output. In Manual Mode (1) the outputs are defined by the registers SOR. When transferring from auto mode to manual mode, the meter holds the last output value (until the register is changed by a write). Each output may be independently changed to auto or manual. Select values to place in manual mode by writing appropriate value to holding register 40036. The bit position definitions are:

PAXI/PAXDR		PAXCK/PAXTM
bit 0: Analog Output	} 0 = Auto Mode 1 = Manual Mode	bit 0: SP4
bit 1: SP4		bit 1: SP3
bit 2: SP3		bit 2: SP2
bit 3: SP2		bit 3: SP1
bit 4: SP1		
		} 0 = Auto Mode 1 = Manual Mode

Examples:

- Select manual mode for all outputs (PAX):
Value to write to holding register 40021: 0010h
- Select manual mode for all outputs and AOR (PAXI, PAXDR):
Value to write to holding register 40036: 001Fh

(SOR) Setpoint Output Register [40038] (PAXI/DR/CK/TM)

This register is used to view or change the states of the setpoint outputs. Reading from this register will show the present state of all the setpoint outputs. A “0” in the setpoint location means the output is inactive and a “1” means the output is active.

In Automatic Mode (See MMR Description), the meter controls the setpoint output state. In Manual Mode, writing to this register will change the output state. The bit position definitions are:

bit 0: SP1	} 0 = Output off 1 = Output on
bit 1: SP2	
bit 2: SP3	
bit 3: SP4	

Examples:

- Turn all outputs on:
Value to write to holding register 40038: 000Fh.
- Turn outputs 1, 3 on:
Value to write to holding register 40038: 0005h.
- Turn all outputs off:
Value to write to holding register 40038: 0000h.

(AOR) Analog Output Register (Not Applicable to PAXCK/TM)

The Analog Output Register controls the analog output of the meter. The manual mode must first be engaged by setting bit 4 of the CSR (PAX) or bit 0 of the MMR (PAXI/DR). The range of values of this register is 0 to 4095, which corresponds to 0 mA, 0 V and 20 mA, 10 V; respectively. If a value larger than 4095 is written to the AOR register, 4095 will be loaded. The table lists correspondence of the output signal with the register value.

Register Value	Output Signal*	
	I (mA)	V (V)
0	0.000	0.000
1	0.005	0.0025
2047	10.000	5.000
4094	19.995	9.9975
4095	20.000	10.000

*Due to the absolute accuracy rating and resolution of the output card, the actual output signal may differ 0.15% FS from the table values. The output signal corresponds to the range selected (20 mA or 10 V).

Writing to this register while the meter is in the manual mode causes the output signal to update immediately. While in the automatic mode, this register may be written to, but the output will not update until the meter is placed in manual mode.

Examples:

- Set output to full scale:
Value to write to holding register 40020 (PAX) or 40037 (PAXI/DR): 0FFFh (4095).
- Set output to zero scale:
Value to write to holding register 40020 (PAX) or 40037 (PAXI/DR): 0000h (0).

HOLDING REGISTERS

Values less than 65,535 will be in (LO word). Values greater than 65,535 will continue into (HI word). Negative values are represented by two's complement of the combined (HI word) and (LO word).

HOLDING REGISTER	PAX ⁴		PAXI ⁵	PAXCK/PAXTM ⁵	ACCESS	PAXDR ⁵	
		ACCESS					ACCESS
40001:	Input (HI)	Read Only	CTA (HI)	Timer (HI)	Read/Write	Rate A (HI)	Read Only
40002:	Input (LO)	Read Only	CTA (LO)	Timer (LO)	Read/Write	Rate A (LO)	Read Only
40003:	Total (HI)	Read Only	CTB (HI)	Counter (HI)	Read/Write	Rate B (HI)	Read Only
40004:	Total (LO)	Read Only	CTB (LO)	Counter (LO)	Read/Write	Rate B (LO)	Read Only
40005:	Min (HI)	Read Only	CTC (HI)	RTC Time (HI)	Read/Write	Rate C (HI)	Read Only
40006:	Min (LO)	Read Only	CTC (LO)	RTC Time (LO)	Read/Write	Rate C (LO)	Read Only
40007:	Max (HI)	Read Only	RTE (HI)	RTC Date (HI)	Read/Write	Total A (HI)	Read/Write
40008:	Max (LO)	Read Only	RTE (LO)	RTC Date (LO)	Read/Write	Total A (LO)	Read/Write
40009:	SP1 (HI)	Read/Write	Min (HI)	SP1 (HI)	Read/Write	Total B (HI)	Read/Write
40010:	SP1 (LO)	Read/Write	Min (LO)	SP1 (LO)	Read/Write	Total B (LO)	Read/Write
40011:	SP2 (HI)	Read/Write	Max (HI)	SP2 (HI)	Read/Write	Total C (HI)	Read/Reset
40012:	SP2 (LO)	Read/Write	Max (LO)	SP2 (LO)	Read/Write	Total C (LO)	Read/Reset
40013:	SP3 (HI)	Read/Write	SFA (HI)	SP3 (HI)	Read/Write	SFA (HI)	Read/Write
40014:	SP3 (LO)	Read/Write	SFA (LO)	SP3 (LO)	Read/Write	SFA (LO)	Read/Write
40015:	SP4 (HI)	Read/Write	SFB (HI)	SP4 (HI)	Read/Write	SFB (HI)	Read/Write
40016:	SP4 (LO)	Read/Write	SFB (LO)	SP4 (LO)	Read/Write	SFB (LO)	Read/Write
40017:	Polling1 *	Read/Write	SFC (HI)	SP1 Off (HI)	Read/Write	SFC (HI)	Read/Write
40018:	Reset *	Read/Write	SFC (LO)	SP1 Off (LO)	Read/Write	SFC (LO)	Read/Write
40019:	TRX Delay ³	Read/Write	LDA (HI)	SP2 Off (HI)	Read/Write	LDA (HI)	Read/Write
40020:	AOR ²	Read/Write	LDA (LO)	SP2 Off (LO)	Read/Write	LDA (LO)	Read/Write
40021:	CSR	Read/Write	LDB (HI)	SP3 Off (HI)	Read/Write	LDB (HI)	Read/Write
40022:	Terminate1	Read/Write	LDB (LO)	SP3 Off (LO)	Read/Write	LDB (LO)	Read/Write
40023:			LDC (HI)	SP4 Off (HI)	Read/Write		
40024:			LDC (LO)	SP4 Off (LO)	Read/Write		
40025:			SP1 (HI)	Timer Start (HI)	Read/Write	SP1 (HI)	Read/Write
40026:			SP1 (LO)	Timer Start (LO)	Read/Write	SP1 (LO)	Read/Write
40027:			SP2 (HI)	Counter Start (HI)	Read/Write	SP2 (HI)	Read/Write
40028:			SP2 (LO)	Counter Start (LO)	Read/Write	SP2 (LO)	Read/Write
40029:			SP3 (HI)	Timer Stop (HI)	Read/Write	SP3 (HI)	Read/Write
40030:			SP3 (LO)	Timer Stop (LO)	Read/Write	SP3 (LO)	Read/Write
40031:			SP4 (HI)	Counter Stop (HI)	Read/Write	SP4 (HI)	Read/Write
40032:			SP4 (LO)	Counter Stop (LO)	Read/Write	SP4 (LO)	Read/Write
40033:			Polling1 *	Polling1 *	Read/Write	Polling1 *	Read/Write
40034:			Polling2 *	Polling2 *	Read/Write	Polling2 *	Read/Write
40035:			TRX Delay ³	TRX Delay ³	Read/Write	TRX Delay ³	Read/Write
40036:			MMR	MMR	Read/Write	MMR	Read/Write
40037:			AOR ²	RTC Day	Read/Write	AOR ²	Read/Write
40038:			SOR	SOR	Read/Write	SOR	Read/Write
40039:			Reset *	Reset *	Read/Write	Reset *	Read/Write
40040:							
40041:			Terminate1	Terminate1	Read/Write	Terminate1	Read/Write
40042:			Terminate2	Terminate2	Read/Write	Terminate2	Read/Write

* See Coil Table for register mapping and Coil Descriptions for functionality.

Notes:

1. Any registers marked with “—” are unused and will return a value of HEX <8000>.
2. If a value larger than 4095 is written to the AOR register, 4095 will be loaded.
3. TRX delay is the minimum time from the reception of the last character in the MODBUS Query until the response is started. The minimum delay value is equal to 2 character times (2 msec min.). The user can increase the delay time by writing to the TRX Delay register. Any value written to the TRX Delay register that is less than the value calculated at power up will be ignored. The TRX Delay value is stored in E²PROM memory. On power-up, the calculated value is compared to the value read back from the E²PROM. The greater of the 2 values will be used as the TRX Delay value and will be written to the TRX Delay register.
4. Numeric data is limited to value -19999 to 99999.
5. Numeric data is limited to the value listed for that parameter according to the meter's literature.

COIL TABLE

COIL ADDRESS	COIL NUMBER	PAX		PAXI		PAXCK		PAXDR	
		COIL NAME	MIRROR REGISTER	COIL NAME	MIRROR REGISTER	COIL NAME	MIRROR REGISTER	COIL NAME	MIRROR REGISTER
01	0	SP1 Output	40021 (bit 0)	SP1 Output	40038 (bit 0)	SP1 Output	40038 (bit 0)	SP1 Output	40038 (bit 0)
02	1	SP2 Output	40021 (bit 1)	SP2 Output	40038 (bit 1)	SP2 Output	40038 (bit 1)	SP2 Output	40038 (bit 1)
03	2	SP3 Output	40021 (bit 2)	SP3 Output	40038 (bit 2)	SP3 Output	40038 (bit 2)	SP3 Output	40038 (bit 2)
04	3	SP4 Output	40021 (bit 3)	SP4 Output	40038 (bit 3)	SP4 Output	40038 (bit 3)	SP4 Output	40038 (bit 3)
05	4	Reset Max	40018 (bit 2)	Reset Max	40039 (bit 2)	_____	_____	Reset Total C	40039 (bit 2)
06	5	Reset Min	40018 (bit 3)	Reset Min	40039 (bit 3)	_____	_____	Reset Total B	40039 (bit 3)
07	6	_____	_____	Reset CNT A	40039 (bit 7)	Reset Timer	40039 (bit 7)	_____	_____
08	7	_____	_____	Reset CNT B	40039 (bit 6)	Reset Counter	40039 (bit 6)	_____	_____
09	8	_____	_____	Reset CNT C	40039 (bit 5)	_____	_____	_____	_____
10	9	Reset Total	40018 (bit 4)	_____	_____	_____	_____	_____	_____
11	10	Poll Input	40017 (bit 0)	Poll CNT A	40033 (bit 0)	Poll Timer	40033 (bit 0)	Poll Rate A	40033 (bit 0)
12	11	Poll Total	40017 (bit 1)	Poll CNT B	40033 (bit 1)	Poll Counter	40033 (bit 1)	Poll Rate B	40033 (bit 1)
13	12	Poll Max	40017 (bit 2)	Poll MAX	40033 (bit 2)	Poll SP2	40033 (bit 2)	Poll Total C	40033 (bit 2)
14	13	Poll Min	40017 (bit 3)	Poll MIN	40033 (bit 3)	Poll SP1	40033 (bit 3)	Poll Total B	40033 (bit 3)
15	14	Poll SP1	40017 (bit 4)	Poll SP1	40033 (bit 4)	Poll Timer Start	40033 (bit 4)	Poll SP1	40033 (bit 4)
16	15	Poll SP2	40017 (bit 5)	Poll SP2	40033 (bit 5)	Poll Counter Start	40033 (bit 5)	Poll SP2	40033 (bit 5)
17	16	Poll SP3	40017 (bit 6)	Poll SP3	40033 (bit 6)	Poll Timer Stop	40033 (bit 6)	Poll SP3	40033 (bit 6)
18	17	Poll SP4	40017 (bit 7)	Poll SP4	40033 (bit 7)	Poll Counter Stop	40033 (bit 7)	Poll SP4	40033 (bit 7)
19	18	Poll AOR	40017 (bit 8)	Poll AOR	40033 (bit 8)	Poll Day	40033 (bit 8)	Poll AOR	40033 (bit 8)
20	19	Poll CSR	40017 (bit 9)	Poll SOR	40033 (bit 9)	Poll SOR	40033 (bit 9)	Poll SOR	40033 (bit 9)
21	20	Term Total	40022 (bit 0)	Poll CNT C	40033 (bit 10)	Poll RTC Time	40033 (bit 10)	Poll Rate C	40033 (bit 10)
22	21	Term Max	40022 (bit 1)	Poll RATE	40033 (bit 11)	Poll RTC Date	40033 (bit 11)	Poll Total A	40033 (bit 11)
23	22	Term Min	40022 (bit 2)	Poll SFA	40033 (bit 12)	Poll SP3	40033 (bit 12)	Poll SFA	40033 (bit 12)
24	23	Term SP1	40022 (bit 3)	Poll SFB	40033 (bit 13)	Poll SP4	40033 (bit 13)	Poll SFB	40033 (bit 13)
25	24	Term SP2	40022 (bit 4)	Poll SFC	40033 (bit 14)	Poll SP1 Off	40033 (bit 14)	Poll SFC	40033 (bit 14)
26	25	Term SP3	40022 (bit 5)	Poll LDA	40033 (bit 15)	Poll SP2 Off	40033 (bit 15)	Poll LDA	40033 (bit 15)
27	26	Term SP4	40022 (bit 6)	Poll LDB	40034 (bit 0)	Poll SP3 Off	40034 (bit 0)	Poll LDB	40034 (bit 0)
28	27	Term AOR	40022 (bit 7)	Poll LDC	40034 (bit 1)	Poll SP4 Off	40034 (bit 1)	_____	_____
29	28	Term CSR	40022 (bit 8)	Poll MMR	40034 (bit 2)	Poll MMR	40034 (bit 2)	Poll MMR	40034 (bit 2)
30	29	Response Delay	40017 (bit 10)	Response Delay	40034 (bit 3)	Response Delay	40034 (bit 3)	Response Delay	40034 (bit 3)
31	30	_____	_____	Term CNT A	40041 (bit 0)	Term Timer	40041 (bit 0)	Term CNT A	40041 (bit 0)
32	31	_____	_____	Term CNT B	40041 (bit 1)	Term Count	40041 (bit 1)	Term CNT B	40041 (bit 1)
33	32	_____	_____	Term CNT C	40041 (bit 2)	Term RTC Time	40041 (bit 2)	Term CNT C	40041 (bit 2)
34	33	_____	_____	Term Rate	40041 (bit 3)	Term RTC Date	40041 (bit 3)	Term Total A	40041 (bit 3)
35	34	_____	_____	Term Min	40041 (bit 4)	Term SP1	40041 (bit 4)	Term Total B	40041 (bit 4)
36	35	_____	_____	Term Max	40041 (bit 5)	Term SP2	40041 (bit 5)	Term Total C	40041 (bit 5)
37	36	_____	_____	Term SFA	40041 (bit 6)	Term SP3	40041 (bit 6)	Term SFA	40041 (bit 6)
38	37	_____	_____	Term SFB	40041 (bit 7)	Term SP4	40041 (bit 7)	Term SFB	40041 (bit 7)
39	38	_____	_____	Term SFC	40041 (bit 8)	Term SP1 Off	40041 (bit 8)	Term SFC	40041 (bit 8)
40	39	_____	_____	Term LDA	40041 (bit 9)	Term SP2 Off	40041 (bit 9)	Term LDA	40041 (bit 9)
41	40	_____	_____	Term LDB	40041 (bit 10)	Term SP3 Off	40041 (bit 10)	Term LDB	40041 (bit 10)
42	41	_____	_____	Term LDC	40041 (bit 11)	Term SP4 Off	40041 (bit 11)	_____	_____
43	42	_____	_____	Term SP1	40041 (bit 12)	Term Time Start	40041 (bit 12)	Term SP1	40041 (bit 12)
44	43	_____	_____	Term SP2	40041 (bit 13)	Term Count Start	40041 (bit 13)	Term SP2	40041 (bit 13)
45	44	_____	_____	Term SP3	40041 (bit 14)	Term Time Stop	40041 (bit 14)	Term SP3	40041 (bit 14)
46	45	_____	_____	Term SP4	40041 (bit 15)	Term Count Stop	40041 (bit 15)	Term SP4	40041 (bit 15)
47	46	_____	_____	Term AOR	40042 (bit 0)	Term MMR	40042 (bit 0)	Term AOR	40042 (bit 0)
48	47	_____	_____	Term MMR	40042 (bit 1)	Term Day	40042 (bit 1)	Term MMR	40042 (bit 1)
49	48	_____	_____	Term SOR	40042 (bit 2)	Term SOR	40042 (bit 2)	Term SOR	40042 (bit 2)

COIL DESCRIPTIONS

Coils 1-4: Output Coils

These coils are used to read or change the states of the Setpoint Outputs. To change the state of the output(s), the output(s) must be in manual mode. Refer to the CSR or MMR/SOR registers in the Manual Mode Description section.

Coils 5-10: Reset Coils

These coils are used to perform the Reset command for the values listed. Forcing the coil "on" causes the appropriate value in the unit to be reset. The coil is cleared after the command is executed, therefore, the coil value read will always be 0 (zero).

Coils 11-29: Polling Coils

The MODBUS card is continually requesting values from the PAX unit. The polling bit coils determine what values are requested during each loop. Setting the coils to "1" enables the card to poll that particular value. A "0" value disables it. Turning polling coils off allows the user to request fewer values and therefore decreases the internal loop time, which allows the values that are polled to be updated more often.

If a MODBUS read is issued for any value, that value is automatically updated to the latest value, regardless of whether the polling bit is on or off. On power up, all values are updated regardless of Polling bit settings. Polling coil values are saved in E²PROM memory. Factory settings is "on" for all Polling coils.

TYPICAL UPDATE TIMES**	
PAX	PAXI/DR/CK/TM
All values (10) - 1.15 sec	All values (19) - 900 msec
5 values - 500 msec	10 values - 480 msec
1 value - 100 msec	5 values - 230 msec
	1 value - 52 msec

***Update time is the typical time to update the internal memory provided no MODBUS requests are incoming.*

Coils 21-29 (PAX), Coils 31-49 (PAXI/DR/CK/TM): Terminating Coils

This set of coils determines what terminating character is sent to the PAX meter when a write command is executed. If the flag is 0, a \$ is used as the terminating character and the value is not saved to E²PROM memory in the PAX. If the flag is 1, an * is used as the terminating character and the value is saved to E²PROM memory in the PAX.

Coil 30: Response Delay

When a write command is issued, the new value is written to the PAX. If the coil is off, the MODBUS write response is not issued until the value is read back from the PAX. For MODBUS reads, if a polling coil is off, the response is not issued until the latest value is read back from the PAX. If the coil is set "on" the MODBUS response is issued as soon the received command is complete. The write coil is saved in E²PROM memory. Factory setting is on.

This page intentionally left blank

LIMITED WARRANTY

The Company warrants the products it manufactures against defects in materials and workmanship for a period limited to two years from the date of shipment, provided the products have been stored, handled, installed, and used under proper conditions. The Company's liability under this limited warranty shall extend only to the repair or replacement of a defective product, at The Company's option. The Company disclaims all liability for any affirmation, promise or representation with respect to the products.

The customer agrees to hold Red Lion Controls harmless from, defend, and indemnify RLC against damages, claims, and expenses arising out of subsequent sales of RLC products or products containing components manufactured by RLC and based upon personal injuries, deaths, property damage, lost profits, and other matters which Buyer, its employees, or sub-contractors are or may be to any extent liable, including without limitation penalties imposed by the Consumer Product Safety Act (P.L. 92-573) and liability imposed upon any person pursuant to the Magnuson-Moss Warranty Act (P.L. 93-637), as now in effect or as amended hereafter.

No warranties expressed or implied are created with respect to The Company's products except those expressly contained herein. The Customer acknowledges the disclaimers and limitations contained herein and relies on no other warranties or affirmations.

Red Lion Controls
Headquarters
20 Willow Springs Circle
York PA 17406
Tel +1 (717) 767-6511
Fax +1 (717) 764-0839

Red Lion Controls
Europe
Printerweg 10
NL - 3821 AD Amersfoort
Tel +31 (0) 334 723 225
Fax +31 (0) 334 893 793

Red Lion Controls
India
54, Vishvas Tenement
GST Road, New Ranip,
Ahmedabad-382480 Gujarat, India
Tel +91 987 954 0503
Fax +91 79 275 31 350

Red Lion Controls
China
Unit 101, XinAn Plaza
Building 13, No.99 Tianzhou Road
ShangHai, P.R. China 200223
Tel +86 21 6113-3688
Fax +86 21 6113-3683