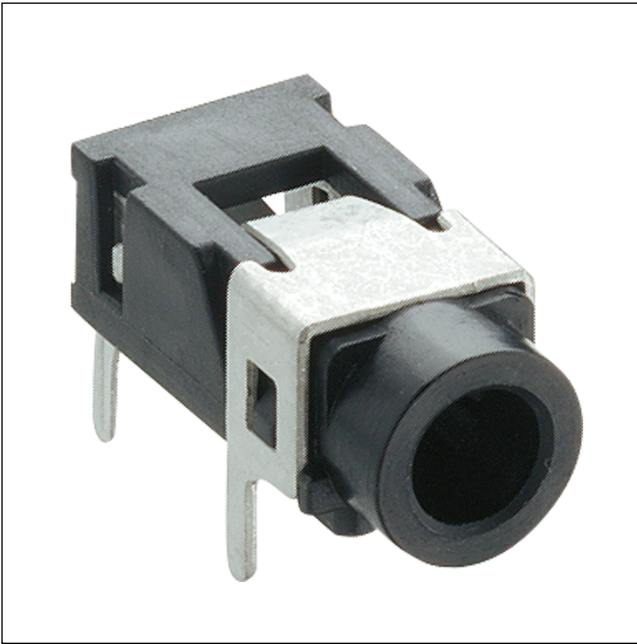


15

1503 08

## Jack connectors

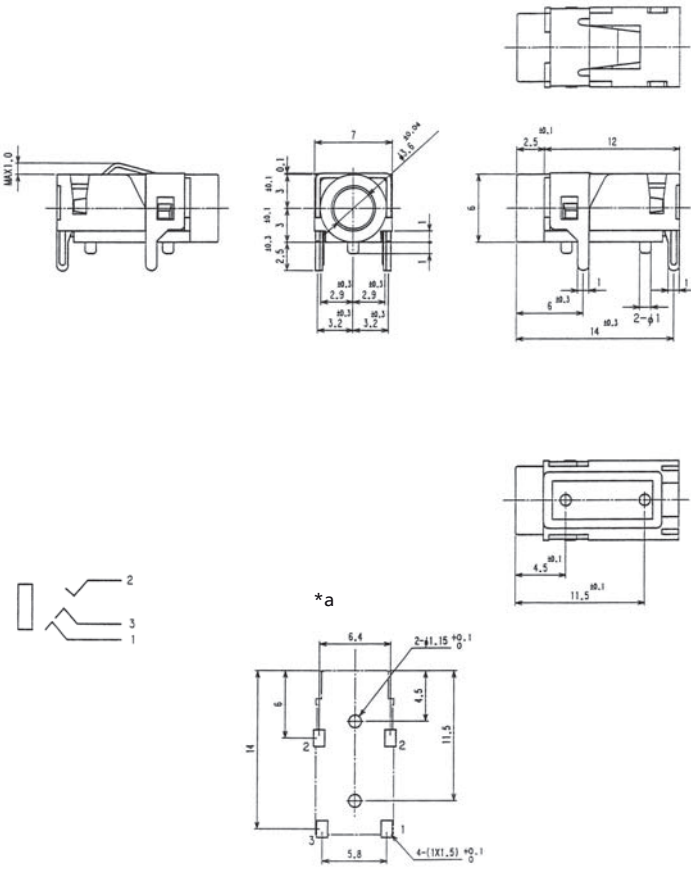


Jack chassis socket acc. to JIS C 6560 JC35J3A, 3.5 mm, 3 poles/stereo, angular version, for printed circuit boards

---

State: Active

---



**Environmental conditions**

Temperature range                    -20 °C/+70 °C

**Materials**

Insulating body                        PBT GF, V-0 according to UL94  
Contact spring                         Cu alloy, tin-plated

**Mechanical data**

Mating cycles                          ≥ 5000  
Insertion force                         5–20 N  
Withdrawal force                      4–20 N

**Electrical data (at T<sub>amb</sub> 20 °C)**

Contact resistance                    ≤ 50 mΩ  
Rated current                          1 A  
Rated voltage                          34 V AC/DC  
Rated impulse voltage                500 V/60 s  
Insulation resistance                 ≥ 100 MΩ

**Associated products**

Counterparts  
☒ 1532 07                                ☒ KLS 40                                ☒ KLS 44  
☒ WKLS 40

\*a    printed circuit board layout, solder side view

15

1503 08

Designation	Pole Number	PU (Pieces)	MDQ (Pieces)
1503 08	3	500	1000

**Packaging:**

in bulk, in a cardboard box or a plastic bag