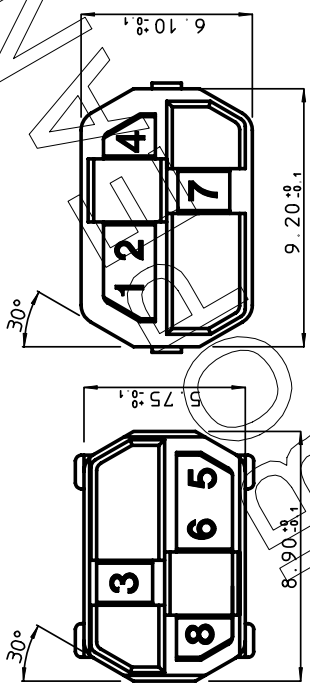
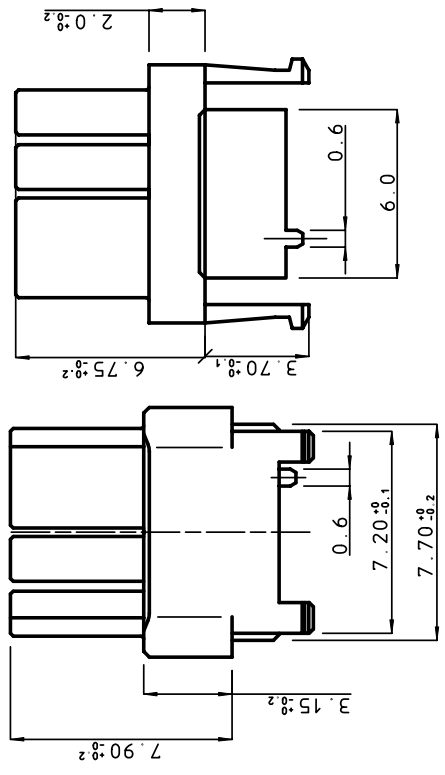


BS, C , 201623, 001	GEN. ST.	01	02	03	04	05	06	07	08	0D	50	60	70	80	90	REV.	DATE	DESCRIPTION	BY	C'K'D'																	
	INT. ST.	10	11	12	13	14	18	20	31	32	33	34	38	39	40	42	43	44	45		46	48	56	70	72	73	76	81	83	84	88	A	2001-09-14	CONVERSION REVISION 05	AN		
																																		B	2005-11-21	105-0235	ALEX B
																																		C	2006-07-03	106-1095	VINEK
																																	D	2009-11-23	109-0267	GT	

RoHS-6 COMPLIANCE INDICATOR
(DIGIT 11 & 12)

HM2DK-----LF



CATALOG NRS		COLOUR		RAL NR	
HM2DK****PLF (FOR PLUG MODULES)	HM2DK****RLF (FOR RECEPTACLE MODULES)				
4678 #	1235 #	OCHE	YELLOW	1024	
3578	1246	RASPBERRY	RED	3027	
3568	1247	PASTEL	ORANGE	2003	
3478	1256	STEEL	BLUE	5011	
3467	1258	SLATE	GREY	7015	
3456	1278	CADMIUM	YELLOW	1021	
2578	1346	RESEDA	GREEN	6011	
2568	1347	OCEAN	BLUE	5020	
2567	1348	EMERALD	GREEN	6001	
2467	1358	YELLOW	ORANGE	2000	
2458	1367	HEATHER	VIOLET	4003	
2368	1457	COPPER	BROWN	8004	
2367	1458	STONE	GREY	7030	
2346	1578	PURPLE	RED	3004	
1678	2345	SALMON	PINK	3022	
1567	2348	BRILLIANT	BLUE	5007	
1457	2368	LIGHT	IVORY	1015	
1456	2378	PASTEL	GREEN	6019	
1356	2478	BLUE	LILAC	4005	
1347	2568	PIGEON	BLUE	5014	
1268	3457	OLIVE	YELLOW	1020	
1267	3458	CEMENT	GREY	7033	
1258	3467	LIGHT	GREEN	6027	
1248	3567	STRAWBERRY	RED	3018	
1247	3568	PURE	ORANGE	2004	
1238	4567	ULTRAMARINE	BLUE	5002	
1236	4578	NUTBROWN		8011	
1235	4678	GREENBROWN		8000	

COMBINATION SHOWN IN MAIN VIEW

1DEC ±0.2	APPR.	DATE	SIGN.	HM2 DISCRIMINATION KEYS
2DEC ±0.1	DRAFT	1993-05-03	W.P.	CAT. No. HM2DK-----LF
ANGLES ±1°	CHECKED			SCALE
WE RESERVE THE RIGHT TO CHANGE SPECIFICATIONS WITHOUT PRIOR NOTICE	PROD. MGR.			7/1
ALL DIMENSIONS IN MM	PR. ENG. MGR.			www.fciconnect.com
	PR. MGT. MGR.			



REFERENCES

- NOTES:
- THE PRODUCT (LF) MEETS EUROPEAN UNION DIRECTIVES AND OTHER COUNTRY REGULATIONS AS DESCRIBED IN GS-22-008

THIS IS THE EXCLUSIVE PROPERTY. IT IS NOT TO BE COPIED, REPRODUCED OR DISCLOSED TO ANY THIRD PARTY AND USED FOR ANY PURPOSES WITHOUT OUR WRITTEN CONSENT. AND HAS TO BE RETURNED TO US IN CASE OF NO USAGE

DIT IS DE EXCLUSIEF EIENDOM. IT IS NIET TE COPIËREN, REPRODUCEREN EN OFSCHIEDEN NA DERDE PARTIJEN EN NIET VOOR ANDER DOEL EN ZONDER ONZE SCHRIFTELIJKE TOELATING. BIJ NIET GEBRUIK IS TERUGGEGEVEN VERPLICHT.

BS, C , 201623, 001

STATUS: **Released**

PDM: Rev:D

REVISION: 1

DATE: 2016-11-23

DRAWING: 2016-11-23