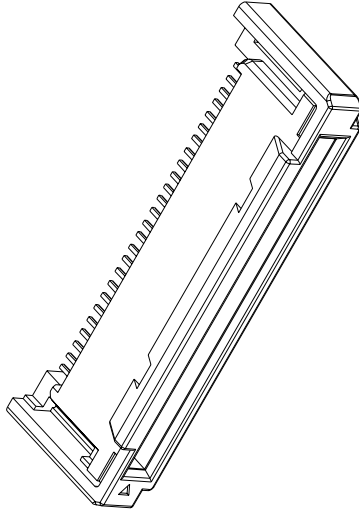
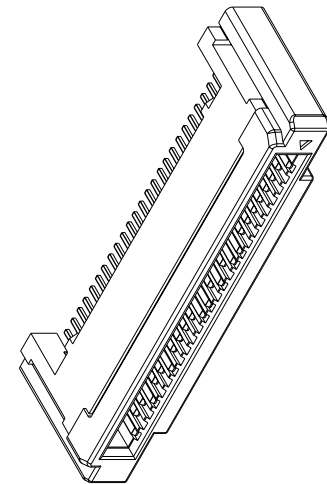
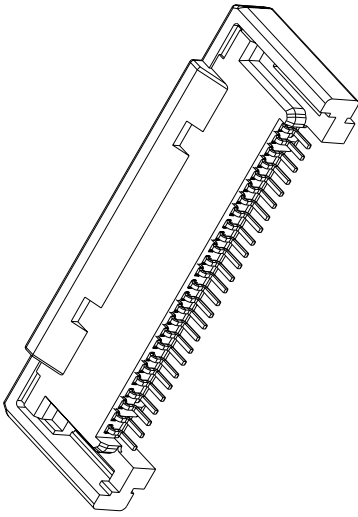
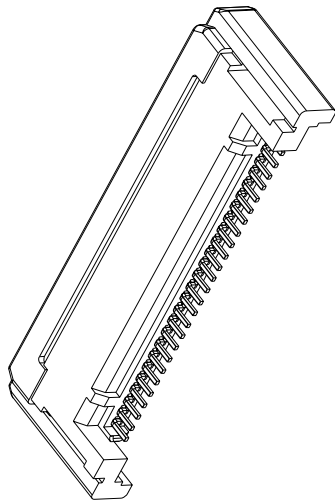


PRODUCT NUMBER	REMARK
10030570-1XXXLF	SEE NOTE 3
10030570-2XXXLF	SEE NOTE 3
10030570-3XXXLF	SEE NOTE 3
10030570-6XXXLF	SEE NOTE 3



- NOTES:
- MATERIAL : HIGH TEMPERATURE THERMOPLASTIC.
HOUSING : UL 94V-0 FLAME RETARDANT.
TERMINAL : COPPER ALLOY.
PLATING SPEC. AS BELOW :
Ni: 50u" UNDER PLATED
Au: 30u" OVER CONTACT AREA (ONE SIDE)
Module T: 120u" OVER SOLDERING AREA
 - PRODUCT PERFORMANCE PER SPEC. GS-12-292, "LF" MEANS LEAD FREE.
 - PART NUMBER SCHEME :
10030570- X X X X LF

- PACKAGING
- 2: TAPE AND REEL
- 3: TRAY
- CONTACT PLATING
- 1: GOLD
- 2: GXT
- PLASTIC COLOR
- 1: BLACK
- SOLDER TAIL OFFSET
- 1: +0.00
- 2: +0.30
- 3: +0.60
- 6: +1.15

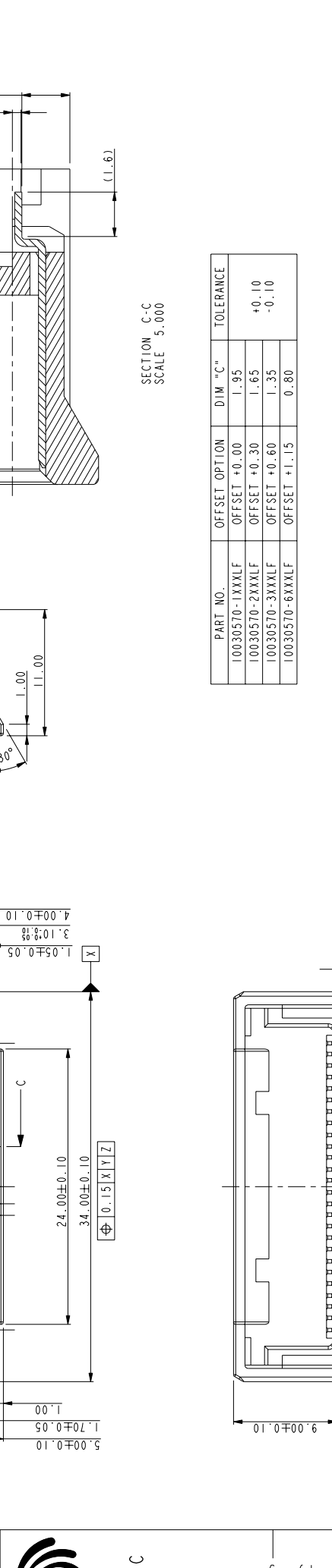
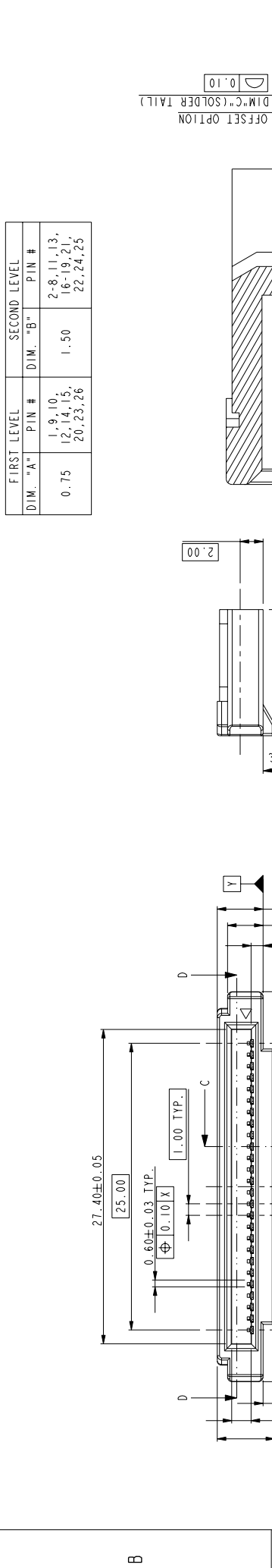
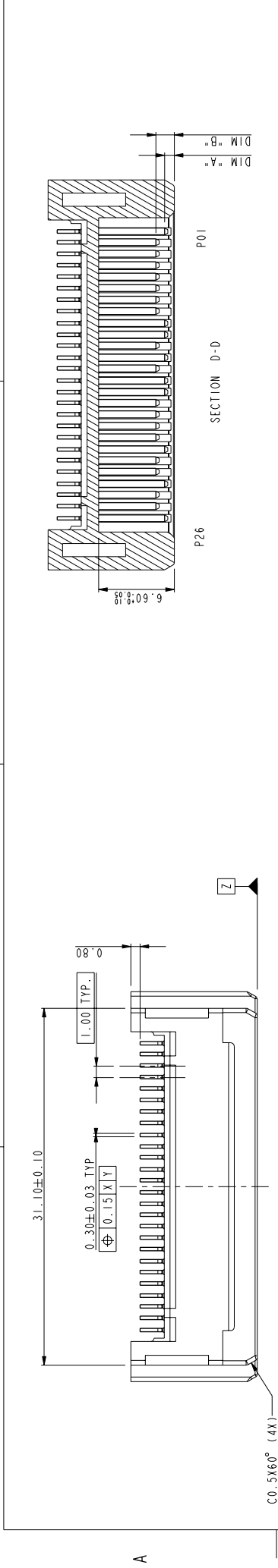
4. THIS PRODUCT IS ROHS COMPLIANT, AND MEETS EUROPEAN UNION DIRECTIVES AND OTHER COUNTRY REGULATIONS AS PER GS-22-008.



Copyright FCI

www.fciconnect.com		surface		tolerance std		projection		MM	
TOLERANCES UNLESS OTHERWISE SPECIFIED		ANGULAR		0.X ±0.50		size		A4	
L INEAR		0.XX ±0.30		0.XXX ±		ECN		Scale	
Product family		Product family		Spec ref		Rev.		M	
Dr Rick Bian		2007/08/23		10030570		CUSTOMER		sheet 1 of 4	
Eng Rick Bian		2007/08/23		EXPRESSCARD MODULE CONNECTOR		10030570			
Chr Daniel Tao		2007/08/23		EXPRESSCARD_MODULE_CARD KIT					
Appr JOSEPH HSTA		2007/08/23							
rev		ecn no		dr		date			
H		T07-0062		H B		2007/03/08			
J		N07-0164		MIAO		2007/07/16			
K		N07-0181		MIAO		2007/08/08			
L		N08-0025		R B		2008/01/29			
M		N10-0341		SH		10/08/2010			
-		-		-		-			
-		-		-		-			





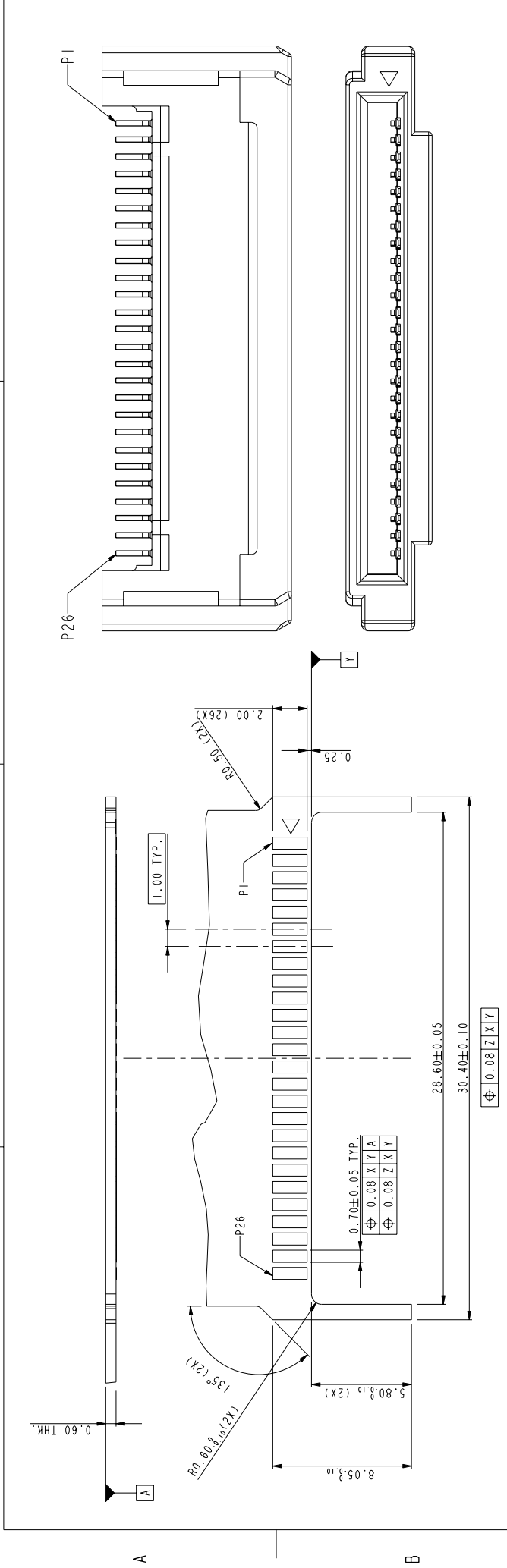
SECTION C-C
SCALE 5.000

PART NO.	OFFSET OPTION	DIM "C"	TOLERANCE
10030570-1XXXLF	OFFSET +0.00	1.95	
10030570-2XXXLF	OFFSET +0.30	1.65	+0.10
10030570-3XXXLF	OFFSET +0.60	1.35	-0.10
10030570-6XXXLF	OFFSET +1.15	0.80	

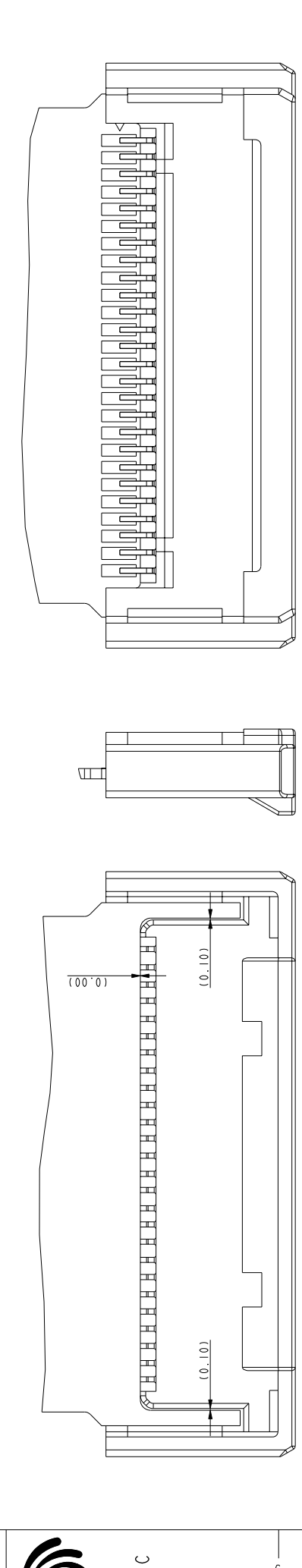
www.fciconnect.com

Dr	Eng	Chr	Appr	surface	tolerance	std	projection	MM
Rick Bian	Rick Bian	Daniel Tao	JOSEPH HSIA	2007/08/23	2007/08/23	2007/08/23	2007/08/23	Product family
				EXPRESSCARD MODULE CONNECTOR	EXPRESSCARD_MODULE_CARD_KIT	10030570	CUSTOMER	sheet 2 of 4

SCALE 2.000



RECOMMENDED PCB LAYOUT



PCB ASSEMBLY REFERENCE

www.fciconnect.com		surface	tolerance std	projection	MM
Dr Rick Bian	2007/08/23	TOLERANCES UNLESS OTHERWISE SPECIFIED	0.X ±0.50 0.XX ±0.30 0.XXX ±	size A4 ECN	Scale 1:000
Eng Rick Bian	2007/08/23				
Chr Daniel Tao	2007/08/23	ANGULAR	0° ±3°		
Appr JOSEPH HSIA	2007/08/23	Product family		Spec ref	
		EXPRESSCARD MODULE CONNECTOR		Rev. M	
		EXPRESSCARD_MODULE_CARD KIT		10030570	
catalog no		CUSTOMER		sheet 3 of 4	



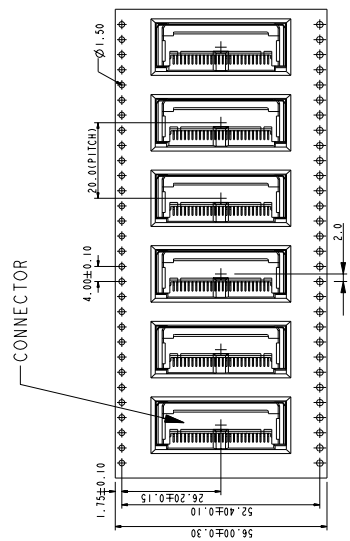
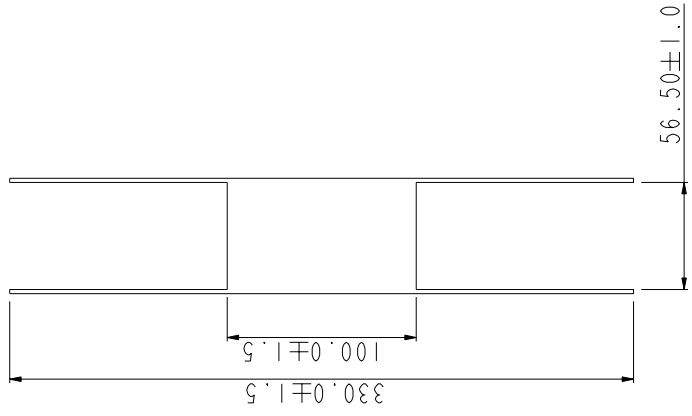
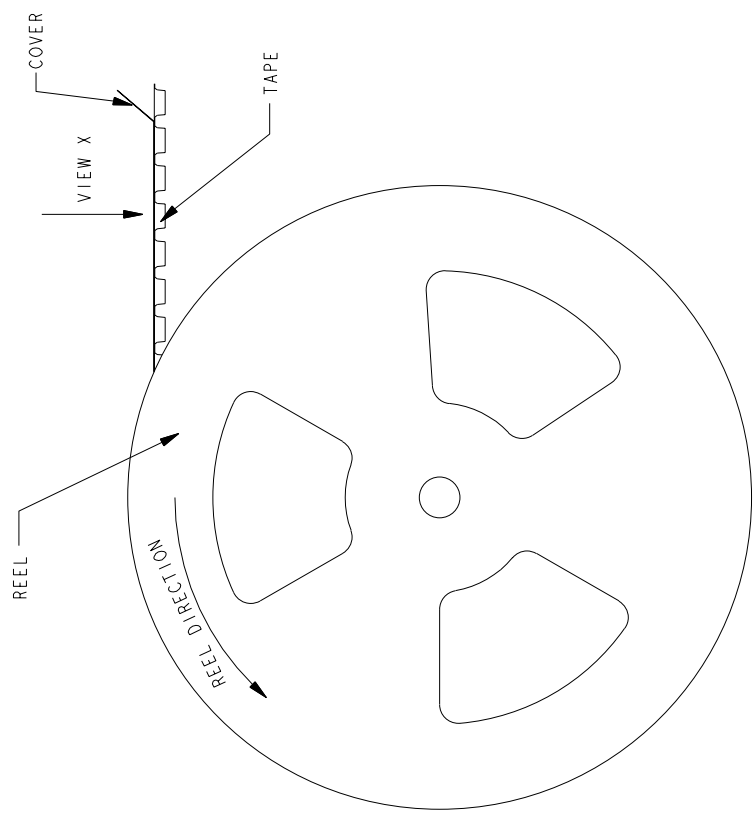
Copyright FCI

A

B

C

D



VIEW X, SCALE 2:1



Copyright FCI

www.fciconnect.com		surface	tolerance std	projection	MM
TOLERANCES UNLESS OTHERWISE SPECIFIED					
Dr Rick Bian	2007/08/23	ANGULAR	0.X ±0.50	size A4	Scale 1:000
Eng Rick Bian	2007/08/23	LINEAR	0.XX ±0.30	ECN	
Chr Daniel Tao	2007/08/23	0° ±3°	0.XXX ±	Spec ref	
Appr JOSEPH HSIA	2007/08/23	Product family			
EXPRESSCARD MODULE CONNECTOR		0.6		10030570	
EXPRESSCARD_MODULE_CARD KIT		6 mp		Rev. M	
catalog no		10030570		CUSTOMER sheet 4 of 4	

