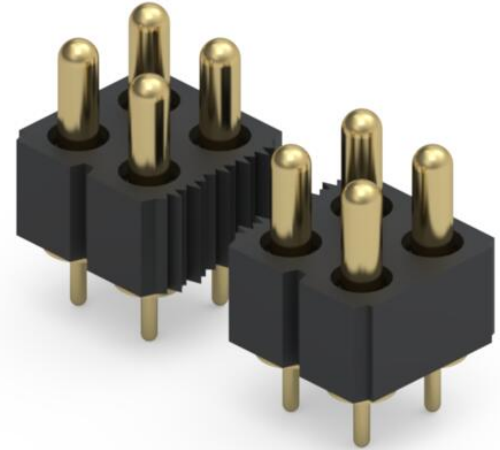
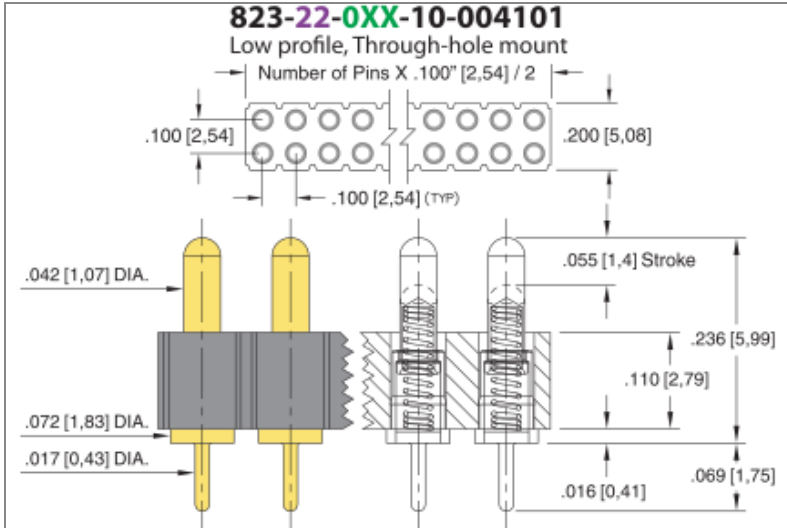




PRODUCT NUMBER: 823-22-072-10-004101

www.mill-max.com  
DATA SHEET



## 823-22-072-10-004101 - SPECIFICATIONS

General Info	
<b>Description<sup>1</sup>:</b>	PCB Mount Spring-Loaded Header Vertical Mount Through-Hole
<b>Type:</b>	Spring-Loaded
<b>Category:</b>	Pogo Pin Header Strip
<b>Mounting Style:</b>	Through Hole Solder Mount
<b># Pins:</b>	72
<b>RoHS<sup>2</sup>:</b>	Yes
<b>Product Lifecycle:</b>	Active

Materials	
<b>Shell Plating:</b>	20μ" Gold over Nickel
<b>Inner Plating:</b>	(Spring) 10μ" Gold
<b>Loose Pin/Receptacle Used:</b>	0906 (Brass Alloy)
<b>Insulator Material:</b>	Nylon 46

Technical Specs	
<b>Temperature Range<sup>3</sup>:</b>	-55/+125° C
<b>Initial Height:</b>	.236" (5,994mm)
<b>Stroke:</b>	.055" (1,397mm)
<b>Pitch:</b>	.100" (2,540mm)
<b>Rows:</b>	Double Row (2)
<b>A Dim:</b>	.236" (5,994mm)
<b>B Dim:</b>	.055" (1,397mm)

## NOTES:

### 1. Standard Tolerances

Assembly tolerance: +/- .010" (.25mm)

Connector Length "L"

Connector Length "L"	Tolerance
$L \leq 2"$ ( $L \leq 50.8$ mm)	+/- .005" (+/- .127 mm)
$2 < L \leq 3"$ ( $50.8 < L \leq 76.2$ mm)	+ .007 / - .006" (+ .178 / - .152 mm)
$3 < L \leq 4"$ ( $76.2 < L \leq 101.6$ mm)	+ .009 / - .007" (+ .229 / - .178 mm)
$4 < L \leq 5"$ ( $101.6 < L \leq 127$ mm)	+ .011 / - .008" (+ .279 / - .203 mm)
$5 < L \leq 6.4"$ ( $127 < L \leq 162.56$ mm)	+ .013 / - .009" (+ .330 / - .229 mm)

Insulator width: +/- .005 (.13mm)

Insulator height: +/- .005 (.13mm)

Co-planarity of SMT connectors: .005" (.13mm) up to 1" (25.4mm) in connector length

Insulator Flatness: .005" (.13mm) up to 1" (25.4mm) in connector length

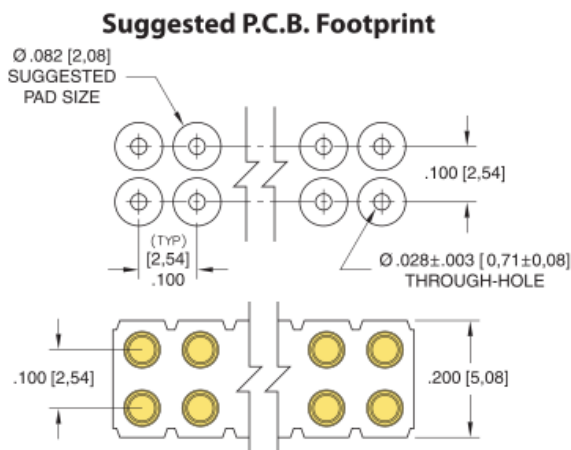
Pin Length: +/- .006 (.15mm)

Pin Diameter: +/- .002 (.051mm)

Pin Angle: +/- 2°

2. Mill-Max products labeled with the RoHS symbol are compliant with all three ROHS Directives. All of our products previously described as RoHS (2002/95/EC) and RoHS-2 (2011/65/EC) are also compliant with RoHS-3 (2015/863/EU).
3. Per IEC 60512-11-(4,-9,-10,-12)

## ADDITIONAL PARTS, PACKAGING, & ASSEMBLY INFO



## ADDITIONAL NOTES AND SPECIFICATIONS

In the interest of improved design, quality and performance, Mill-Max reserves the right to make changes in its specifications without prior notice. Specifications and tolerances are provided wherever possible. The tolerance on dimensions of critical to function features is typically held tighter than the stated standard tolerances, such as press-fits, holes and lengths affecting the coplanarity of SMT products. Due to the wide variety of interconnects Mill-Max offers, the specific tolerances vary from product to product. If you need information regarding the tolerance of a particular part, please contact Technical Services.

## RELATED LINKS AND DOCUMENTS

Engineering Notebook: ( <https://www.mill-max.com/engineering-notebooks/introduction-to-spring-loaded-pogo-pins-connectors> )

Environmental Compliance: ( <https://www.mill-max.com/rohs> )