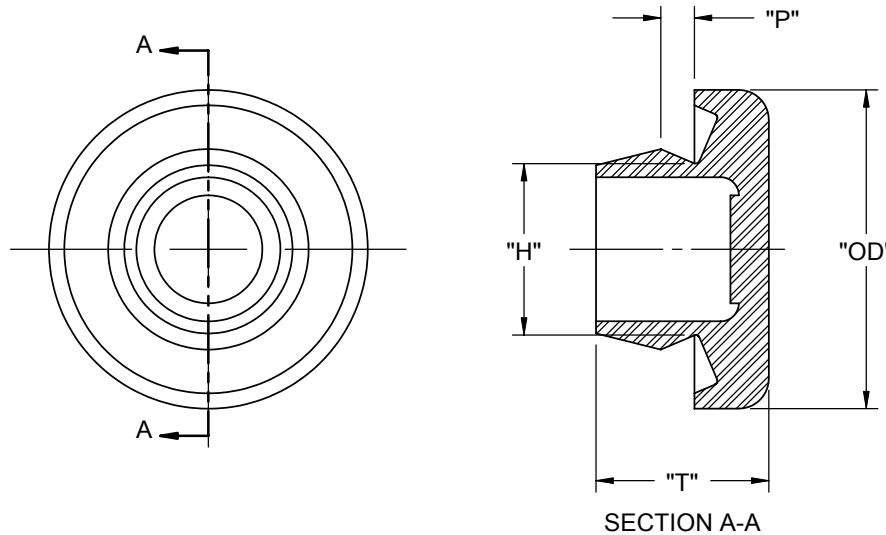


| PART NO. | PANEL HOLE SIZE "H" | PANEL THICKNESS "P" | OUTSIDE DIAMETER "OD" | BODY PLUG THICKNESS "T" | MATERIAL |
|----------|---------------------|---------------------|-----------------------|-------------------------|----------|
| BP-16230 | .39 [10]            | .03-.08 [0.8-2]     | .76 [19.3]            | .43 [10.9]              | RMS-262  |
| BP-16231 | .47 [12]            | .03-.08 [0.8-2]     | .83 [21]              | .45 [11.4]              | RMS-262  |
| BP-16232 | .55 [14]            | .03-.08 [0.8-2]     | .91 [23]              | .45 [11.4]              | RMS-262  |
| BP-16233 | .63 [16]            | .03-.08 [0.8-2]     | .98 [25]              | .47 [12]                | RMS-67   |
| BP-16234 | .71 [18]            | .03-.08 [0.8-2]     | 1.06 [27]             | .45 [11.4]              | RMS-262  |
| BP-16236 | .87 [22]            | .03-.08 [0.8-2]     | 1.23 [31.2]           | .43 [10.9]              | RMS-262  |
| BP-16238 | 1.18 [30]           | .03-.08 [0.8-2]     | 1.55 [39.4]           | .42 [10.7]              | RMS-262  |



NOTES:  
 1. MATERIAL: THERMOPLASTIC ELASTOMER UL 94 HB.  
 2. COLOR: BLACK.

| TITLE: BODY PLUG  |                                    |             | DWG IN IN [MM]   |               | FINAL  |          | PRINT TYPE |    |
|---|------------------------------------|-------------|------------------|---------------|--|----------|------------|----|
| CREATED USING SOLIDWORKS  |                                    |             | FILE #: BP       | DWN: SK       | APP: RT  | PART #   |            | CA |
| TOLERANCES UNLESS NOTED<br>.XX=±.010<br>.XXX=±.005<br>FRAC.=±1/64<br>ANG.=±1° |                                    |             | SHEET: 1 OF 1    | SHEET SIZE: A | DT: 06/11/07   | CHKD: DZ | SEE TABLE  |    |
| C   | SEE CO 200041 FOR CHANGES          | SK 09/28/07 | RE: RICHCO, INC. |               | RICHCO, INC.<br>ENG@RICHCO-INC.COM<br>(773) 539-4060 |          |            |    |
| B   | SEE ECN #1332 FOR CHANGES          | SK 06/12/07 |                  |               |  |          |            |    |
| A   | CHANGED FILE NO. AND TABLE HEADING | SM 01.02.02 |                  |               |  |          |            |    |
| REV.  | DESCRIPTION                        | ENGR. DATE  |                  |               |  |          |            |    |

# Mouser Electronics

Authorized Distributor

Click to View Pricing, Inventory, Delivery & Lifecycle Information:

[Essentra:](#)

[BP-16234](#) [BP-16236](#) [BP-16230](#) [BP-16231](#) [BP-16232](#) [BP-16233](#) [BP-16238](#)