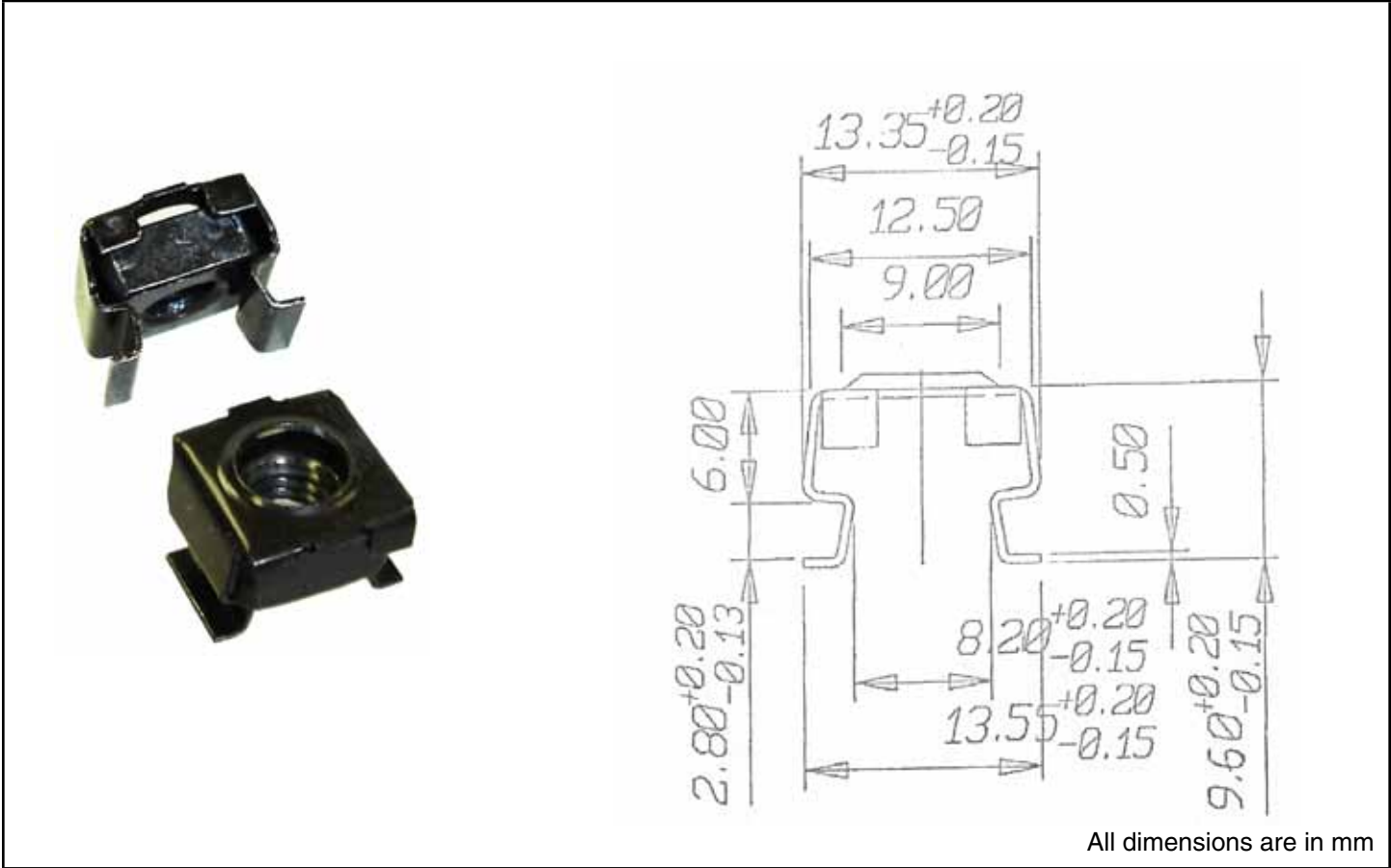




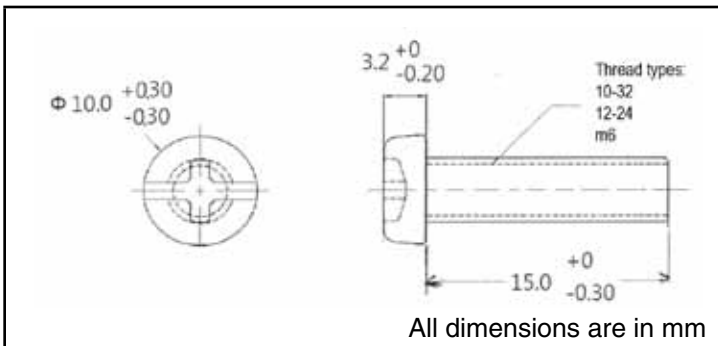
Dimensions = mm



Orion Cage Nuts for square holes

Part Nos:

OCN-1032* (10-32 thread), OCN-1224* (12-24 thread), OCN-M6* (M6 thread)



Orion Cage Nut Screw

Part Nos:

OCN-1032SCW* (10-32 thread)

OCN-1224SCW* (12-24 thread)

OCN-M6SCW* (M6 thread)

OCN-1032WS* (Orion Cage Nut Washer)

OCN-1224WS* (Orion Cage Nut Washer)

* Add "PK" to P/N for 25 piece packs

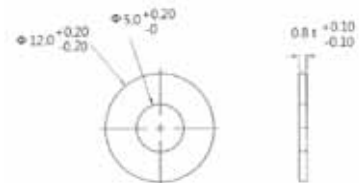
Orion Cage Nuts & Screw material:
Black Zinc plated steel

Orion Cage Nut Washer - PVC 0.8 x 5 x 12
Sold in hardware packs only:

OCN1032RHHDWPK

OCN1224RHHDWPK

OCNM6RHHDWPK



Hardware sold separately

Mouser Electronics

Authorized Distributor

Click to View Pricing, Inventory, Delivery & Lifecycle Information:

Orion Fans:

[OCN-M6SCW](#) [OCN-1032](#) [OCN-1224](#) [OCN-1224SCW](#) [OCN-M6](#) [OCN-1224SCWPK](#) [OCN-M6SCWPK](#) [OCN-1224WSPK](#) [OCN-1032PK](#) [OCN-1224PK](#) [OCN-M6PK](#)