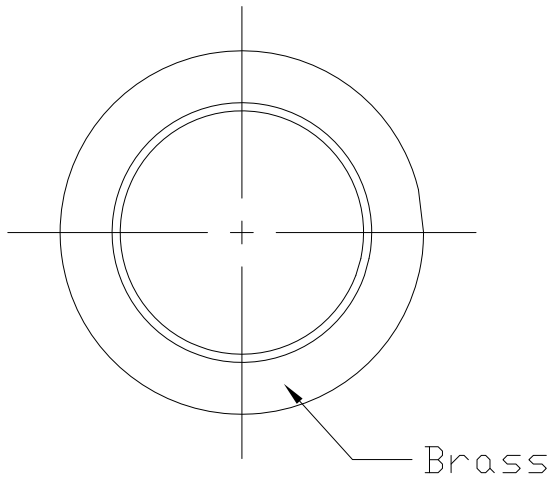


SPECIFICATION

SCOPE

1. Resonant Frequency 0.7 ± 0.2 kHz
2. Static Capacitance $80000 \pm 30\%$ pF at 1 kHz
3. Resonant Impedance 1000Ω Max
4. Operating Voltage 30 Vp-p max
5. Operating Temperature -20 to $+70$ ($^{\circ}\text{C}$)
6. Storage Temperature -30 to $+80$ ($^{\circ}\text{C}$)
7. Metal Material Brass



技术要求：
1, 产品符合欧盟环保要求。

			NINGBO VOISE ELECTRONICS CO.,LTD http://www.nbvoise.com	
No.	DESCRIPTION	APPROVED	DATE	Piezoelectric Element VS41T07A1
TOLERANCES UNLESS NOTED OTHERWISE: .X ± .XX ± .XXX ± 90° FORMED +2° ANGLES -1°		APPROVALS	DATE	
FIRST ANGLE PROJECTION		DRAWN		UNIT mm
		CHECKED		DWG NO. VS20200219012
		APPROVED	20.02.19	SCALE
			SHEET	VER 1.0