

SPECIFICATION

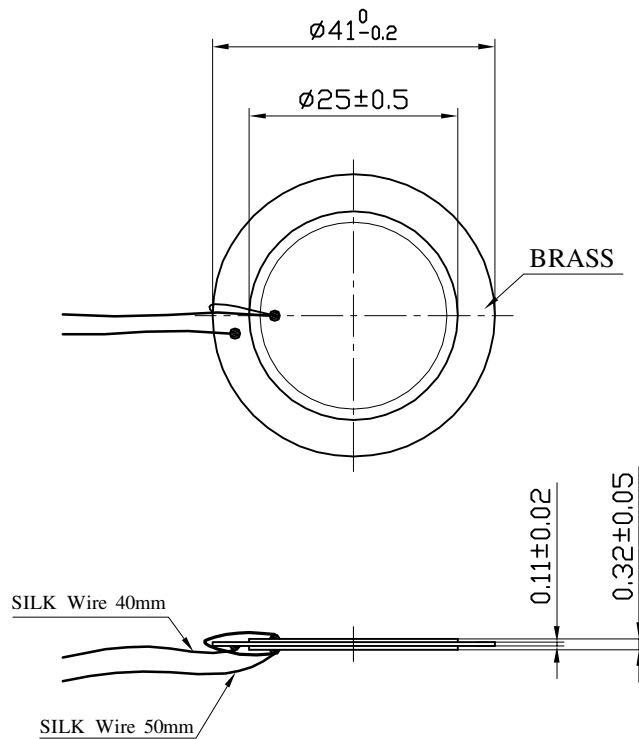
1. SCOPE

This specification is applied to the piezo-element.

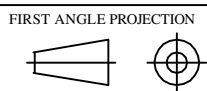
2. SPECIFICATION

(at 25°C)

2.1 Resonant Frequency	:	2.5 ± 0.5 KHz
2.2 Resonant Resistace	:	150 Ω max
2.3 Capacitance	:	150000 pF ± 30% at 100Hz
2.4 Input Voltage	:	30 Vp-p max
2.5 Operating Temperature	:	-20~+50°C
2.6 Storage Temperature	:	-20~+60°C
3. DIMENSION	:	as per figure



TOLERANCES UNLESS NOTED OTHERWISE .X ± .XX ± .XXX ± 90° FORMED +2° ANGLES -1°	DRAWN		KEPO MODEL NO.	CUSTOMER													
	DESIGN		HFT-41T-2.5ASL	CUSTOMER NO.													
	CHECKED																
	APPROVED		DWG NO.	<table border="1" style="width: 100%; border-collapse: collapse;"> <tr> <td style="width: 10%;">VER</td> <td style="width: 10%;">1.0</td> <td style="width: 10%;">SCALE</td> <td colspan="2"></td> </tr> <tr> <td>UNIT</td> <td>mm</td> <td>SHEET</td> <td colspan="2"></td> </tr> </table>				VER	1.0	SCALE			UNIT	mm	SHEET		
	VER	1.0	SCALE														
	UNIT	mm	SHEET														
DATE	05.04.16	KP3.844.842	<table border="1" style="width: 100%; border-collapse: collapse;"> <tr> <td style="width: 10%;">TEL: (+86)574-88370330</td> <td colspan="4"></td> </tr> <tr> <td>FAX: (+86)574-88370329</td> <td colspan="4"></td> </tr> </table>				TEL: (+86)574-88370330					FAX: (+86)574-88370329					
TEL: (+86)574-88370330																	
FAX: (+86)574-88370329																	
CONTRACT NO.			KEPO CO., LTD.														
AGENCY APPROVAL																	



1

2

3

4