

Solenoid Valve (with M Connector)
Conforming to ISO 15407-1

Series *EVS1-01*, *1-02*

(Size 01) (Size 02)



Large capacity

	Flow rate	Cylinder size
EVS1-01 (Size: 01)	1000L/min (ANR)	ø100
EVS1-02 (Size: 02)	400L/min (ANR)	ø80

Light weight

Size 01 (3-position): 0.26kg
Size 02 (3-position): 0.18kg

ISO 15407-1 Interface

Size 01 (**EVS1-01**) and Size 02 (**EVS1-02**)
Interface conforms to ISO 15407-1

Enclosure rate IP65

Dust/Splashproof type

Series EVS1-01/1-02

How to Order

Valve **EVS1-01-FG-S-3- - - - -M0-Q**

Size

01	Size 01
02	Size 02

Passage symbol

FG	
FHG	
FJG	
FIG	

Number of solenoids

S	Single
D	Double

Rated coil voltage

3	24VDC
4	12VDC
9	Voltage other than above (50VDC or less)

Thread type

Nil 1)	Rc
F	G
T	NPTF

1) If the valve is ordered w/o subplate

Port size

Symbol	Piping specifications	Size 01	Size 02
Nil	Without sub-plate	○	○
A01	Side-ported 1/8	○	○
A02	Side-ported 1/4	○	—

○: Possible combination.
—: Combination not possible

Sealing type

Nil	Metal seal
R	Rubber seal

Option

Nil	None
Z	Indicator light with surge voltage suppressor

Sub-plate **VS1-01-A02- -**

Size

01	Size 01
02	Size 02

Thread type

Nil	Rc
F	G
T	NPTF

Port size

Symbol	Piping specifications	Size 01	Size 02
A01	Side-ported 1/8	○	○
A02	Side-ported 1/4	○	—

○: Possible combination.
—: Combination not possible

Specifications

Model	Piping specifications			Weight (kg)
	Piping direction	Port size for 1(P), 2(B), 4(A)	Port size for 3(R2), 5(R1)	
VS1-01-A01	Horizontal	1/8	—	0.14
VS1-01-A02		1/4	—	
VS1-02-A01	Horizontal	1/8	—	0.07

Models



Series EVS1-01

Valve type			Nominal flow rate as reference (ℓ/min)		Response time (ms) Note 1)	Weight (Kg) Note 2)
			1→4, 2 (P→A, B)	4, 2→5, 3 (A, B→EA, EB)		
2-position	Single	Metal seal	589	687	40	0,21
		Rubber seal	883	982	50	0,21
	Double	Metal seal	589	687	15	0,24
		Rubber seal	883	982	20	0,24
3-position	Closed center	Metal seal	589	589	60	0,26
		Rubber seal	785	982	80	0,26
	Exhaust center	Metal seal	589	687	60	0,26
		Rubber seal	785	1080	80	0,26
	Pressure center	Metal seal	687	589	60	0,26
		Rubber seal	982	982	80	0,26

Note 1) Response time complies with JIS B 8375 Dynamic performance test.

Note 2) Weight does not include sub-plate.



Series EVS1-02

Valve type			Nominal flow rate as reference (ℓ/min)		Response time (ms) Note 1)	Weight (Kg) Note 2)
			1→4, 2 (P→A, B)	4, 2→5, 3 (A, B→EA, EB)		
2-position	Single	Metal seal	294	294	20	0,14
		Rubber seal	491	491	25	0,14
	Double	Metal seal	294	294	13	0,16
		Rubber seal	491	491	15	0,16
3-position	Closed center	Metal seal	294	294	36	0,18
		Rubber seal	491	393	40	0,18
	Exhaust center	Metal seal	196	196	36	0,18
		Rubber seal	491	393	40	0,18
	Pressure center	Metal seal	196	196	36	0,18
		Rubber seal	491	393	40	0,18

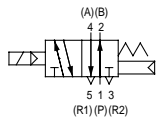
Note 1) Response time complies with JIS B 8375 Dynamic performance test.

Note 2) Weight does not include sub-plate.

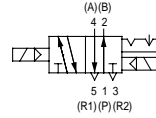
Series EVS1-01/1-02

Symbol

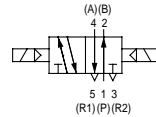
2-position single



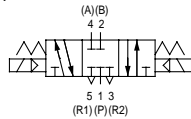
2-position double (metal)



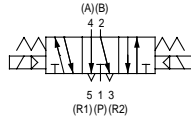
2-position double (rubber)



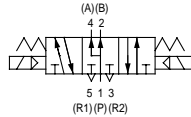
3-position closed center



3-position exhaust center



3-position pressure center



Standard Specifications

Valve specifications	Valve type		Metal seal	Rubber seal
	Fluid		Air, Inert gas	
	Maximum operating pressure		1.0MPa	
	Minimum operating pressure	Single	0.1MPa	0.15MPa
		Double	0.1MPa	0.1MPa
		3-position	0.15MPa	0.2MPa
	Ambient and fluid temperature		-10° to 60°C Note 1)	-5° to 60°C Note 1)
	Lubrication		Not required (non-lube type)	
	Manual override		Push type (tool required)	
	Impact resistance/Vibration resistance		150, 30m/s ² Note 2)	
Enclosure		IP65 (Dust/Splashproof type)		
Electric specifications	Rated coil voltage		12VDC, 24VDC	
	Allowable voltage fluctuation		±10% of rated voltage	
	Type of coil insulation		Equivalent to class B	
	Power consumption (Current)	24VDC	1W DC (42mA)	
		12VDC	1W DC (83mA)	

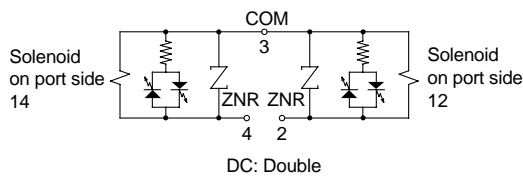
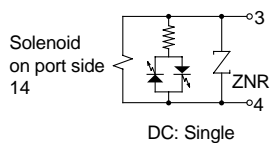
Note 1) Use dry air to prevent condensation at low temperatures.

Note 2) **Impact resistance:** No malfunction resulted during an impact test using a drop impact tester. The test was performed one time each in the axial and right angle directions of the main valve and armature for both energized and de-energized conditions.

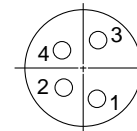
Vibration resistance: No malfunction resulted during an one-sweep test between 8.3 and 2000Hz. The test was performed in the axial and right angle directions of the main valve and armature for both energized and de-energized conditions.

Specific Product Precautions

⚠ Caution Internal Wiring Specifications

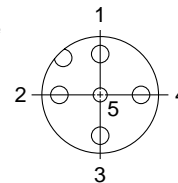


M8 Connector: Wiring specifications (EVS1-02)



- Pin no.
 1: Not used
 2: Solenoid on port side 12 (+)
 3: COM (-)
 4: Solenoid on port side 14 (+)

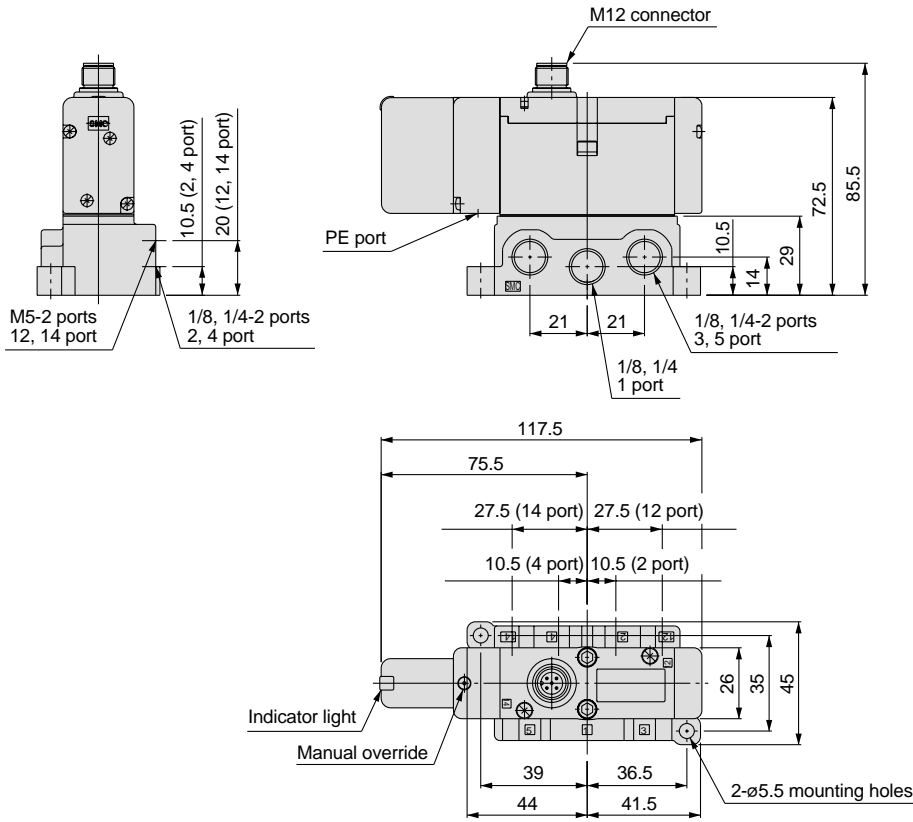
M12 Connector: Wiring specifications (EVS1-01)



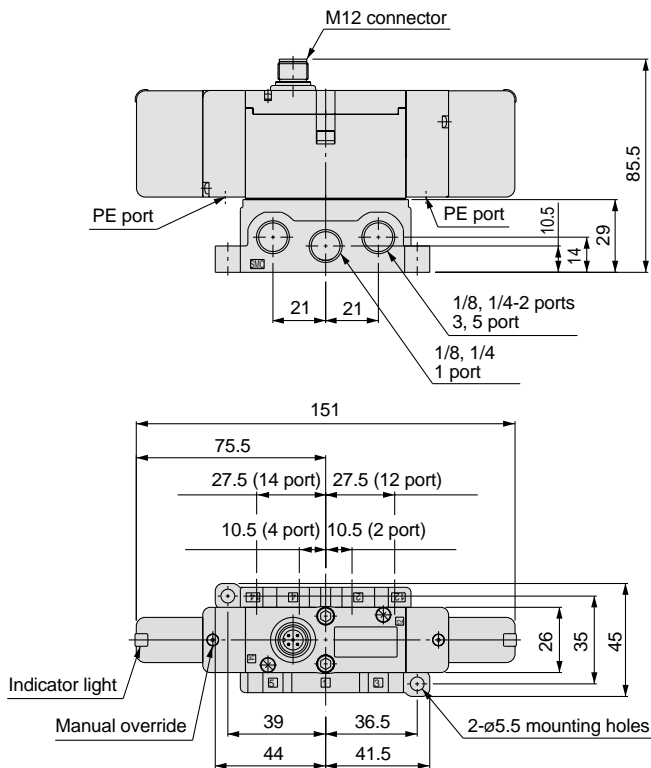
- Pin no.
 1: Not used
 2: Solenoid on port side 12 (+)
 3: COM (-)
 4: Solenoid on port side 14 (+)
 5: Ground

Dimensions

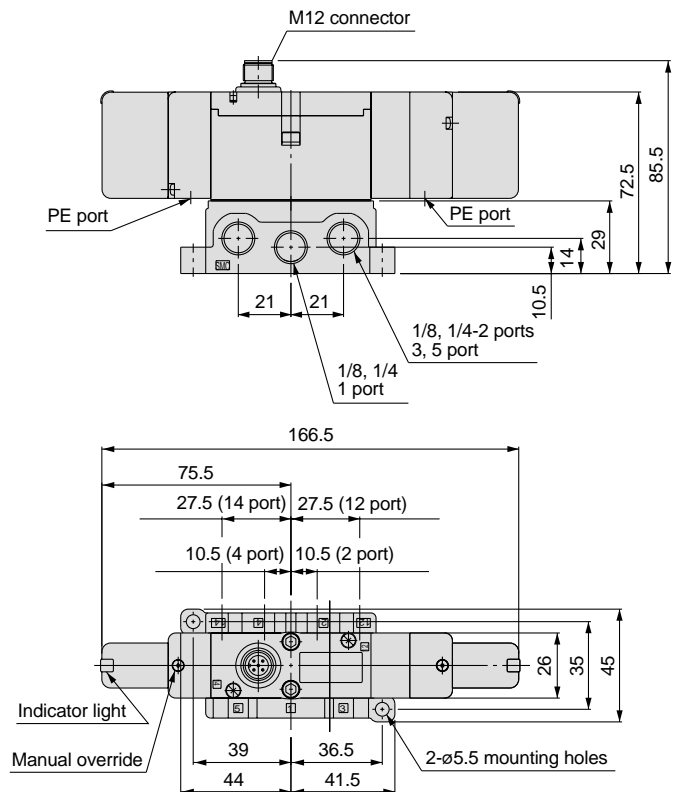
EVS1-01-FG-S-□□M0



EVS1-01-FG-D-□□M0




EVS1-01-F^H_JG-D-□□M0







Safety Instructions

These safety instructions are intended to prevent hazardous situations and/or equipment damage. These instructions indicate the level of potential hazard by labeling "**Caution**", "**Warning**" or "**Danger**". To ensure safety, be sure to observe ISO4414 ^{Note 1)}, JIS B 8370 ^{Note 2)} and other safety practices.

 **Caution:** Operator error could result in injury or equipment damage.

 **Warning:** Operator error could result in serious injury or loss of life.

 **Danger:** In extreme conditions, there is a possibility of serious injury or loss of life.

Note 1) ISO4414: Pneumatic fluid power - Recommendations for the application of equipment to transmission and control systems.

Note 2) JIS B 8370: Pneumatic system axiom.

Warning

① The compatibility of pneumatic equipment is the responsibility of the person who designs the pneumatic system or decides its specifications.

Since the products specified here are used in various operating conditions, their compatibility with the specific pneumatic system must be based on specifications or after analysis and/or tests to meet your specific requirements. The expected performance and safety assurance will be the responsibility of the person who has determined the compatibility of the system. This person should continuously review the suitability of all items specified. Referring to the latest catalogue information with a view to giving due consideration to any possibility of equipment failure when configuring a system.

② Only trained personnel should operate pneumatically operated machinery and equipment.

Compressed air can be dangerous if an operator is unfamiliar with it. Assembly, handling or repair of pneumatic systems should be performed by trained and experienced operators.

③ Do not service machinery/equipment or attempt to remove components until safety is confirmed.

1. Inspection and maintenance of machinery/equipment should only be performed after confirmation of safe locked-out control positions.
2. When equipment is to be removed, confirm the safety process as mentioned above. Cut the supply pressure for the equipment and exhaust all residual compressed air in the system.
3. Before machinery/equipment is re-started, take measures to prevent quick extensions of the cylinder piston rod etc. (Bleed air into the system gradually to create back-pressure.)

④ Contact SMC if the product is to be used in any of the following conditions:

1. Conditions and environments beyond the given specifications, or if product is used outdoors.
2. Installation on equipment in conjunction with atomic energy, railway, air navigation, vehicles, medical equipment, food and beverage, recreation equipment, emergency stop circuits, press applications, or safety equipment.
3. An application which has the possibility of having negative effects on people, property, or animals, requiring special safety analysis.



Precautions for EVS1 ①

Be sure to read before handling.

Refer to main text for detailed precautions on every series.

Precautions on Design

⚠ Warning

① Operation of actuator

When an actuator, e.g. air cylinder, is to be operated using a valve, take appropriate measures to prevent potential personnel injuries caused by the actuator movement.

② Intermediate stops

In case of 3 position closed center or perfect style valve, it is difficult to make a piston stop at the required position correctly and precisely due to compressibility of air. Valves and cylinders are not guaranteed from leakage of air, so it may also make difficult to keep an intermediate stop at the same position for a long period. Contact SMC for the requirements of intermediate stops for a long periods.

③ Effect of back pressure when using a manifold

Possible malfunction due to back pressure may result when valves are used on a manifold. In case of 3 position exhaust center valve or single acting cylinder, take appropriate measures to prevent the malfunction using with Individual EXH interface assembly or individual exhaust manifold.

④ Holding pressure (including vacuum)

Since the valve may have slight internal air leakage, it may not be suitable for holding pressure (either positive or vacuum) in a tank or other vessel for an extended period of time.

⑤ Not suitable for use as an emergency shut-off valve

The valve represented in this catalog is not intended for use as an emergency shut-off valve. If the valve is used in this type of system, other positive shut-off components should be used in conjunction.

⑥ Maintenance space

Installation should ensure enough space is provided for maintenance (removal of valve, etc.)

⑦ Release of residual pressure

Install a system for releasing of residual pressure for maintenance purpose. Especially in case of 3 position closed center valve or perfect valve, ensure the release of residual pressure between valve and cylinder.

⑧ Using in vacuum conditions

When valve is used for switching vacuum, take measures to prevent suction of external dust or other contaminants that may lead to valve malfunction. Direct operated or external pilot operated style is recommended for this application. Contact SMC if necessary to use internal pilot operated or air operated style.

⑨ Using double solenoid valves

When newly using double solenoid valves, the actuator may move in a unexpected direction depending on the valve switching position. Take measures to prevent the danger caused by the actuators movement.

⑩ Ventilation

When a valve is used inside a sealed control panel, etc., provide ventilation to prevent a pressure increase caused by exhausted air inside the control panel or a temperature increase caused by the heat generated by the valve.

Selection

⚠ Warning

① Confirm specifications.

Products introduced in this catalog are designed only for use in compressed air systems (positive and vacuum pressure). Do not use with pressure or temperature beyond the specification range. Contact SMC if using any fluid other than compressed air (positive and vacuum pressure).

② Long period of continuous energization

Contact SMC if the valve is to be continuously energized for long periods.

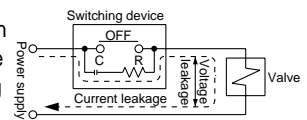
⚠ Caution

① Instant energization

When a double solenoid valve is to be energized instantly, energize the valve for more than 0.1 second.

② Voltage leakage

When C-R device (Surge voltage suppressor) is used for the protection of switching device, note that voltage leakage will be increased by passing voltage leakage through C-R device.



Suppressor residual voltage leakage should be as follow:

DC coil VS7

③ Drive the solenoid valve with SSR

If the minimum load amperage of the SSR is greater than the solenoid valve's load amperage, it could lead to a malfunction. Thus, pay particular attention to the catalog specifications of the elements when selecting an SSR.

④ Surge voltage suppressor

If a surge protection circuit contains non-ordinary diodes such as Zener diodes or ZNRs, a residual voltage that is in proportion to the protective elements and the rated voltage will remain. Therefore, give consideration to surge voltage protection of the controller. In the case of diodes, the residual voltage is approximately 1V.

⑤ Use in low temperature environments

Valve use is possible to temperature extremes to -10°C Take appropriate measures to avoid freezing of drainage, moisture etc.

⑥ Air blowing

Use external pilot operated style valves for air blowing applications. Note that the pressure drop caused bay the air blowing can have an effect on the internal pilot type valves when internal and external pilots are used on the same manifold. Furthermore, supply compressed air to the external pilot port within the pressure range prescribed in the specifications, and when using a double solenoid type for air blowing, make sure that it is always energized when air is being blown.

⑦ Mounting orientation

Rubber seal: Refer to the specifications of each series.

Metal seal: Mounting orientation of single solenoid is universal. No specific orientation for single solenoid is necessary. When installing double solenoid or 3 position style, mount the valve so that spool valve will be horizontal.



Precautions for EVS1②

Be sure to read before handling.

Refer to main text for detailed precautions on every series.

Installation

⚠ Warning

- ① If air leakage increases or equipment is not properly operating, stop using the valve.

Check mounting conditions when air and power supplies are connected. Initial function and leakage tests should be performed after installation.

- ② Install only after reading and understanding the safety instructions. Keep the catalog on life so that it can be referred to when necessary.

- ③ Coating

Warnings or specifications indicated on the product should not be erased, removed, or covered up. If paint is applied to resin parts, it may have an adverse effect due to the paint solvent.

Piping

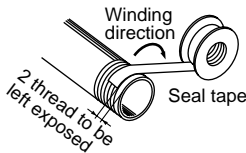
⚠ Caution

- ① Before piping

Make sure to clean up chips, cutting oil, dust, etc., before piping.

- ② Seal tape

When installing piping or fitting into a port, ensure that sealant material does not enter the port inside. When using seal tape, leave 1.5 to 2 threads exposed on the end of pipe/fitting.



- ③ Closed center and Perfect styles

In case of closed center or perfect styles, check the piping to prevent the air leakage on the piping between valve and cylinder.

- ④ Tightening torque

When installing fittings, etc., follow the procedures below.

1) M3, M5

- ① When using SMC fitting, etc.

After tightening by hand, give it additional 1/4 (M3), 1/6 (M5) turn with the wrench. (1/4 turn for miniature fittings.) In case that two gaskets are equipped such as universal elbow or universal tee, give it additional 1/2 turn with the wrench.

Note) If over-tightened, threaded part may be broken or gasket deformed. If tightened insufficiently, thread part may be loosened. In either case, air leakage could occur.

- ② Follow the indication when using fittings other than SMC.

2) Rc(PT)

When installing fitting, etc., follow the given torque levels below.

Tightening torque

Thread	Appropriate tightening torque Nm
Rc(PT)1/8	7 to 9
Rc(PT)1/4	12 to 14
Rc(PT)3/8	22 to 24
Rc(PT)1/2	28 to 30
Rc(PT)3/4	28 to 30
Rc(PT)1	36 to 38
Rc(PT)1 1/4	40 to 42
Rc(PT)1 1/2	48 to 50
Rc(PT)2	48 to 50

- ⑤ Piping to product

When piping products, refer to operation manual to avoid any mistakes.

Wiring

⚠ Caution

- ① Polarity

When DC power is connected to a solenoid valve equipped with light and/or surge voltage suppressor, check for polarity indications.

For polarity indications:

No diode to protect polarity:

If polarity connection is wrong, the diode in the valve or switching device at control equipment or power supply may be damaged.

With diode to protect polarity:

If polarity connection is wrong, the valve does not switch.

- ② Applied voltage

When electricity is applied to the solenoid valve, be careful to apply the power voltage. Improper voltage may cause malfunction or coil damage.

- ③ Connection

Make sure no improper connection has been made after wiring.

Lubrication

⚠ Caution

- ① Lubrication

[Rubber seal]

- ① The valves except those listed below have been lubricated for life at manufacturer, and does not require lubrication in service.

- ② If a lubricant is used in the system, use turbine oil Class 1 (no additive), ISO VG32. Once lubricant is used in the system, lubrication must be continued because the original lubricant applied during manufacturing will be washed away.

[Metal seal]

- ① The valve has been lubricated for life at manufacture, and does not require lubrication in service.

- ② If a lubricant is used in the system, use turbine oil Class 1 (no additive), ISO VG32.



Precautions for EVS1^③

Be sure to read before handling.

Refer to main text for detailed precautions on every series.

Air Supply Source

Warning

① Use clean air.

If the compressed air supply includes chemicals, synthetic materials (including organic solvents), salinity, corrosive gas, etc., it can lead damage or malfunction.

Caution

① Install an air filter.

Install an air filter up stream to the valve. Filtration degree should be 5 μ m or less.

② Install an air dryer, after cooler, water separator, etc.

Air that includes excessive condensate may cause malfunction of valve and other pneumatic equipment. To prevent this, install an air dryer, after cooler, water separator etc.

③ If excessive carbon powder is seen, install a mist separator on the upstream side of the valve.

Refer to SMC's "Best Pneumatics Vol.4" catalog for further details on compressed air quality.

Operating Environment

Warning

① Do not use in atmospheres where the valve is in direct contact with corrosive gases, chemicals, salt water, water or steam.

② Products with IP65 enclosures (based on IEC529) are protected against dust and water, however, these products cannot be based in the water..

③ Products with enclosure conforming to IP65 rating will satisfy the specifications only if they are installed correctly. Therefore, be sure to read the instructions for respective products.

④ Do not use in an explosive atmosphere.

⑤ Do not use in a place subject to heavy vibrations and/or shocks. Check the specifications for each series.

⑥ The valve should not be exposed to prolonged sunlight. Use a protective cover.

⑦ Remove emissive heat.

⑧ If using in atmosphere where there is possible contact with water drop-lets, oil, weld spatter, etc., take suitable preventative measures.

⑨ When the solenoid valve is mounted in a control panel or its energized for a long time, make sure ambient temperature is within the valve specification range.

Maintenance

Warning

① Maintenance procedures are shown in the operation manual.

If maintenance is not properly done, it may cause malfunction and damage of machine or equipment.

② Machine maintenance and supply/exhaust of compressed air

When machine is to be serviced, first check for removal of workpieces and run-away of equipment, etc. Then, cut the supply pressure and power, and exhaust compressed air in the system through residual pressure release mechanism.

In case of 3 position closed center or perfect styles, exhaust the residual pressure between valve and cylinder.

When the machine is to be restarted, check first that actuators are in their proper start up positions.

③ Low frequency operation

Valves should be switched at least once every 30 days to avoid malfunctions.

(Pay attention to the supply air.)

④ Manual override

Note: When manual override is engaged, connected equipment starts to operate.

Caution

① Drain

Remove condensate from air filter regularly.

② Lubrication

Once lubricant for rubber seal type valve is introduced, continue to lubricate and use turbine oil Class 1 (no additives), VG32. If other lubricant oil is used, it may cause malfunction. Contact us for suggested turbine oil Class 2 (with additive), VG32.

**Austria**

SMC Pneumatik GmbH (Austria).
Girakstrasse 8, A-2100 Korneuburg
Phone: 02262-62280, Fax: 02262-62285

**Germany**

SMC Pneumatik GmbH
Boschring 13-15, D-63329 Egelsbach
Phone: 06103-4020, Fax: 06103-402139

**Netherlands**

SMC Pneumatics BV
Postbus 308, 1000 AH Amsterdam
Phone: 020-5318888, Fax: 020-5318880

**Slovenia**

SMC Slovenia d.o.o.
Grajski trg 15, 8360 Zuzemberk
Phone: 068-88 044 Fax: 068-88 041

**Belgium**

SMC Pneumatics N.V./S.A.
Nijverheidsstraat 20, B-2160 Wommelgem
Phone: 03-355-1464, Fax: 03-355-1466

**Greece**

S. Parianopoulos S.A.
9, Konstantinoupoleos Street,
GR-11855 Athens
Phone: 01-3426076, Fax: 01-3455578

**Norway**

SMC Pneumatics Norway AS
Vollsveien 13 C, Granfoss Næringspark
N-1324 Lysaker
Tel: (47) 67 12 90 20, Fax: (47) 67 12 90 21

**Spain**

SMC España, S.A.
Zuazobidea 14, Pol. Ind. Jundiz,
E-01015 Vitoria
Phone: 945-184 100, Fax: 945-184 124

**Czech**

SMC Czech.s.r.o.
Kodanska 46, CZ-100 10 Prague 10
Phone: 02-67154 790, Fax: 02-67154 793

**Hungary**

SMC Hungary Kft.
Budafoki ut 107-113, 1117 Budapest
Phone: 01-204 4366, Fax: 01-204 4371

**Poland**

Semac Co., Ltd.
PL-05-075 Wesola k/Warszawy, ul. Wspolna 1A
Phone: 022-6131847, Fax: 022-613-3028

**Sweden**

SMC Pneumatics Sweden A.B.
Ekhagsvägen 29-31, S-14105 Huddinge
Phone: 08-603 07 00, Fax: 08-603 07 10

**Denmark**

SMC Pneumatik
Knudsmide 4B, DK-8300 Odder
Phone: (45)70252900, Fax: (45)70252901

**Ireland**

SMC Pneumatics (Ireland) Ltd.
2002 Citywest Business Campus,
Naas Road, Saggart, Co. Dublin
Phone: 01-403 9000, Fax: 01-464 0500

**Portugal**

SMC España (Sucursal Portugal), S.A.
Rua de Engº Ferreira Dias 452, 4100 Porto
Phone: 02-610-89-22, Fax: 02-610-89-36

**Switzerland**

SMC Pneumatik AG
Dorfstrasse 7, CH-8484 Weisslingen
Phone: 052-396-3131, Fax: 052-396-3191

**Estonia**

Teknoma Eesti AS
Mustamäe tee 5, EE-0006 Tallinn, Estonia
Phone: 259530, Fax: 259531

**Italy**

SMC Italia S.p.A
Via Garibaldi 62, I-20061 Carugate, (Milano)
Phone: 02-92711, Fax: 02-92150394

**Romania**

SMC Romania srl
Vasile Stroescu 19, Sector 2, Bucharest
Phone: 01-210-1354, Fax: 01-210-1680

**Turkey**

Entek Pnömatik San. ve Tic Ltd. Sti.
Perpa Tic. Merkezi Kat: 11 No: 1625,
TR-80270 Okmeydanı Istanbul
Phone: 0212-221-1512, Fax: 0212-220-2381

**Finland**

SMC Pneumatikka OY
Veneentekijäntie 7, SF-00210 Helsinki
Phone: 09-681021, Fax: 09-6810233

**Latvia**

Ottensten Latvia SIA
Ciekurkalna Prima Gara Linija 11,
LV-1026 Riga, Latvia
Phone: 371-23-68625, Fax: 371-75-56748

**Russia**

SMC Pneumatik LLC.
36/40 Sredny pr. St. Petersburg 199004
Phone: (812) 118 5445, Fax: (812) 118 5449

**UK**

SMC Pneumatics (UK) Ltd
Vincent Avenue, Crownhill,
Milton Keynes, MK8 0AN
Phone: 01908-563888 Fax: 01908-561185

**France**

SMC Pneumatique, S.A.
1, Boulevard de Strasbourg, Parc Gustave Eiffel
Bussy Saint Georges
F-77607 Marne La Vallée Cedex 3
Phone: 01-6476 1000, Fax: 01-6476 1010

**Lithuania**

UAB Ottensten Lietuva
Savanoriu pr.180, LT-2600 Vilnius, Lithuania
Phone/Fax: 370-2651602

**Slovakia**

SMC Slovakia s.r.o.
Pribinova ul. C. 25, 819 02 Bratislava
Phone: 0-563 3548, Fax: 07-563 3551

OTHER SUBSIDIARIES WORLDWIDE:

ARGENTINA, AUSTRALIA, BOLIVIA, BRASIL, CANADA, CHILE, CHINA, HONG KONG, INDIA, MALAYSIA, MEXICO, NEW ZEALAND, PHILIPPINES, SINGAPORE, SOUTH KOREA, TAIWAN, THAILAND, USA, VENEZUELA

SMC UK Contact Numbers

Head Office: SMC Pneumatics (UK) Ltd, Vincent Avenue, Crownhill, Milton Keynes MK8 0AN

THE NATIONAL SALES CENTRE FOR ENGLAND & WALES**Internal Sales**

(Price, Delivery Information & Order Placement)

Freephone: 0800 138 2930 Fax: 01908 555064
e-mail: sales@smcpneumatics.co.uk

Customer Services

(Post-Order Resolution)

Freephone: 0800 138 2931 Fax: 01908 555065
e-mail: customerservice@smcpneumatics.co.uk

TECHNICAL CENTRE

Freephone: 0800 138 2932 Fax: 01908 555066
e-mail: technical@smcpneumatics.co.uk

SMC FAST RESPONSE

(Literature & Catalogue Requests)

0800 0262006

SMC SALES CENTRE FOR SCOTLAND & N. IRELAND

Tel: 01236 781133 Fax: 01236 780611

SMC Pneumatics (UK) Ltd, 1 Carradale Crescent, Broadwood Business Park, Cumbernauld, Glasgow G69 9LE

SMC UK Sales Partners

Birmingham
JAMES LISTER
Tel: 0121 5803800
Fax: 0121 5535951

Bristol
APPLIED AUTOMATION
Tel: 0117 9827769
Fax: 0117 9235522

Cardiff
WALES FLUID POWER
Tel: 02920 494551
Fax: 02920 481955

Blackburn
BEST PNEUMATIC SYSTEMS LTD
Tel: 01254 395000
Fax: 01254 390555

Bury St Edmunds
PNEUMATIC LINES
Tel: 01284 706239
Fax: 01284 761218

Plymouth
APPLIED AUTOMATION
Tel: 01752 343300
Fax: 01752 341161