

### FEATURES

44 V supply maximum ratings

V<sub>SS</sub> to V<sub>DD</sub> analog signal range

Low on resistance (<70 Ω)

Low ΔR<sub>ON</sub> (9 Ω max)

Low R<sub>ON</sub> match (3 Ω max)

Low power dissipation

Fast switching times

t<sub>ON</sub> < 110 ns

t<sub>OFF</sub> < 60 ns

Low leakage currents (3 nA max)

Low charge injection (6 pC max)

Break-before-make switching action

Latch-up proof A grade

Plug-in upgrade for DG201A/ADG201A, DG202A/ADG202A,  
DG211/ADG211A

Plug-in replacement for DG441/DG442/DG444

### APPLICATIONS

Audio and video switching

Automatic test equipment

Precision data acquisition

Battery-powered systems

Sample-and-hold systems

Communication systems

### GENERAL DESCRIPTION

The [ADG441](#), [ADG442](#), and [ADG444](#) are monolithic CMOS devices that comprise of four independently selectable switches. They are designed on an enhanced LC<sup>2</sup>MOS process that provides low power dissipation yet gives high switching speed and low on resistance.

The on resistance profile is very flat over the full analog input range, which ensures good linearity and low distortion when switching audio signals. High switching speed also makes the parts suitable for video signal switching. CMOS construction ensures ultralow power dissipation, making the parts ideally suited for portable and battery-powered instruments. The [ADG441](#), [ADG442](#), and [ADG444](#) contain four independent SPST switches. Each switch of the [ADG441](#) and [ADG444](#) turns on when a logic low is applied to the appropriate control input. The [ADG442](#) switches are turned on with logic high on the appropriate control input. The [ADG441](#) and [ADG444](#) switches differ in that the [ADG444](#) requires a 5 V logic power supply that is applied to the V<sub>L</sub> pin. The [ADG441](#) and [ADG442](#) do not have a V<sub>L</sub> pin, the logic power supply is generated internally by an on-chip voltage generator.

Rev. B

[Document Feedback](#)

Information furnished by Analog Devices is believed to be accurate and reliable. However, no responsibility is assumed by Analog Devices for its use, nor for any infringements of patents or other rights of third parties that may result from its use. Specifications subject to change without notice. No license is granted by implication or otherwise under any patent or patent rights of Analog Devices. Trademarks and registered trademarks are the property of their respective owners.

### FUNCTIONAL BLOCK DIAGRAM

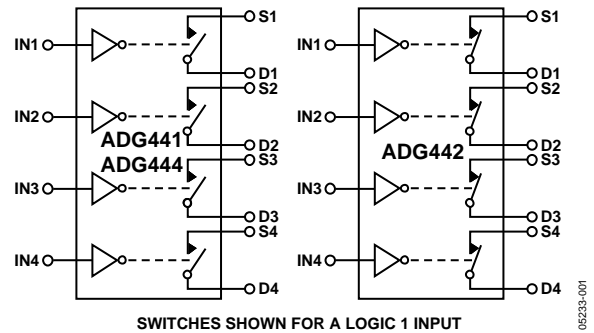


Figure 1.

Each switch conducts equally well in both directions when ON and has an input signal range that extends to the power supplies. In the OFF condition, signal levels up to the supplies are blocked. All switches exhibit break-before-make switching action for use in multiplexer applications. Inherent in the design is the low charge injection for minimum transients when switching the digital inputs.

### PRODUCT HIGHLIGHTS

1. Extended signal range. The [ADG441A/ADG442A/ADG444A](#) are fabricated on an enhanced LC<sup>2</sup>MOS, trench-isolated process, giving an increased signal range that extends to the supply rails.
2. Low power dissipation.
3. Low R<sub>ON</sub>.
4. Trench isolation guards against latch-up for A grade parts. A dielectric trench separates the P and N channel transistors thereby preventing latch-up even under severe overvoltage conditions.
5. Break-before-make switching. This prevents channel shorting when the switches are configured as a multiplexer.
6. Single-supply operation. For applications where the analog signal is unipolar, the [ADG441/ADG442/ADG444](#) can be operated from a single-rail power supply. The parts are fully specified with a single 12 V power supply.

## TABLE OF CONTENTS

|                                |   |  |    |
|--------------------------------|---|--|----|
| Features .....                 | 1 | Absolute Maximum Ratings .....                   | 5  |
| Applications.....              | 1 | ESD Caution.....                                 | 5  |
| General Description .....      | 1 | Pin Configuration and Function Descriptions..... | 6  |
| Functional Block Diagram ..... | 1 | Typical Performance Characteristics .....        | 7  |
| Product Highlights .....       | 1 | Test Circuits.....                               | 9  |
| Revision History .....         | 2 | Terminology .....                                | 11 |
| Specifications.....            | 3 | Trench Isolation .....                           | 12 |
| Dual Supply .....              | 3 | Outline Dimensions .....                         | 13 |
| Single Supply .....            | 4 | Ordering Guide .....                             | 14 |

## REVISION HISTORY

### 5/14—Rev. A to Rev. B

|                                  |    |
|----------------------------------|----|
| Updated Outline Dimensions ..... | 13 |
| Changes to Ordering Guide .....  | 14 |

### 5/05—Rev. 0 to Rev. A

|  |           |
|--|-----------|
| Changes to Format .....                          | Universal |
| Deleted CERDIP Package and T Grade .....         | Universal |
| Changes to Features and Product Highlights ..... | 1         |
| Changes to Test Conditions in Table 2 .....      | 4         |
| Changes to Figure 11 .....                       | 8         |
| Changes to Trench Isolation Section .....        | 12        |
| Updated Outline Dimensions .....                 | 13        |
| Changes to Ordering Guide .....                  | 14        |

### 4/94—Revision 0: Initial Version

## SPECIFICATIONS

DUAL SUPPLY<sup>1</sup>

$V_{DD} = +15\text{ V} \pm 10\%$ ,  $V_{SS} = -15\text{ V} \pm 10\%$ ,  $V_L = +5\text{ V} \pm 10\%$  (ADG444), GND = 0 V, unless otherwise noted.

Table 1.

| Parameter                                  | B Version  |                      | Unit              | Test Conditions/Comments  |
|--|------------|----------------------|-------------------|---|
|  | +25°C      | -40°C to +85°C       |                   |   |
| <b>ANALOG SWITCH</b>                       |            |                      |                   |   |
| Analog Signal Range                        |            | $V_{SS}$ to $V_{DD}$ | V                 |   |
| $R_{ON}$                                   | 40         |                      | $\Omega$ typ      | $V_D = \pm 8.5\text{ V}$ , $I_S = -10\text{ mA}$                              |
|  | 70         | 85                   | $\Omega$ max      | $V_{DD} = +13.5\text{ V}$ , $V_{SS} = -13.5\text{ V}$                         |
| $\Delta R_{ON}$                            |            | 4                    | $\Omega$ typ      | $-8.5\text{ V} \leq V_D \leq +8.5\text{ V}$                                   |
|  |            | 9                    | $\Omega$ max      |   |
| $R_{ON}$ Match                             |            | 1                    | $\Omega$ typ      | $V_D = 0\text{ V}$ , $I_S = -10\text{ mA}$                                    |
|  |            | 3                    | $\Omega$ max      |   |
| <b>LEAKAGE CURRENTS</b>                    |            |                      |                   |   |
| Source OFF Leakage $I_S$ (OFF)             | $\pm 0.01$ |                      | nA typ            | $V_{DD} = +16.5\text{ V}$ , $V_{SS} = -16.5\text{ V}$                         |
|  | $\pm 0.5$  | $\pm 3$              | nA max            | $V_D = \pm 15.5\text{ V}$ , $V_S = \mp 15.5\text{ V}$                         |
| Drain OFF Leakage $I_D$ (OFF)              | $\pm 0.01$ |                      | nA typ            | $V_D = \pm 15.5\text{ V}$ , $V_S = \mp 15.5\text{ V}$                         |
|  | $\pm 0.5$  | $\pm 3$              | nA max            | See Figure 15   |
| Channel ON Leakage $I_D$ , $I_S$ (ON)      | $\pm 0.08$ |                      | nA typ            | $V_S = V_D = \pm 15.5\text{ V}$   |
|  | $\pm 0.5$  | $\pm 3$              | nA max            | See Figure 16   |
| <b>DIGITAL INPUTS</b>                      |            |                      |                   |   |
| Input High Voltage, $V_{INH}$              |            | 2.4                  | V min             |   |
| Input Low Voltage, $V_{INL}$               |            | 0.8                  | V max             |   |
| Input Current                              |            |                      |                   |   |
| $I_{INL}$ or $I_{INH}$                     |            | $\pm 0.00001$        | $\mu\text{A}$ typ | $V_{IN} = V_{INL}$ or $V_{INH}$   |
|  |            | $\pm 0.5$            | $\mu\text{A}$ max |   |
| <b>DYNAMIC CHARACTERISTICS<sup>2</sup></b> |            |                      |                   |   |
| $t_{ON}$                                   | 85         |                      | ns typ            | $R_L = 1\text{ k}\Omega$ , $C_L = 35\text{ pF}$ ;                             |
|  | 110        | 170                  | ns max            | $V_S = \pm 10\text{ V}$ ; see Figure 17                                       |
| $t_{OFF}$                                  | 45         |                      | ns typ            | $R_L = 1\text{ k}\Omega$ , $C_L = 35\text{ pF}$ ;                             |
|  | 60         | 80                   | ns max            | $V_S = \pm 10\text{ V}$ ; see Figure 17                                       |
| $t_{OPEN}$                                 | 30         |                      | ns typ            | $R_L = 1\text{ k}\Omega$ , $C_L = 35\text{ pF}$ ;                             |
| Charge Injection                           | 1          |                      | pC typ            | $V_S = 0\text{ V}$ , $R_S = 0\ \Omega$ , $C_L = 1\text{ nF}$ ;                |
|  | 6          |                      | pC max            | $V_{DD} = +15\text{ V}$ , $V_{SS} = -15\text{ V}$ ; see Figure 18             |
| OFF Isolation                              | 60         |                      | dB typ            | $R_L = 50\ \Omega$ , $C_L = 5\text{ pF}$ ; $f = 1\text{ MHz}$ ; see Figure 19 |
| Channel-to-Channel Crosstalk               | 100        |                      | dB typ            | $R_L = 50\ \Omega$ , $C_L = 5\text{ pF}$ ; $f = 1\text{ MHz}$ ; see Figure 20 |
| $C_S$ (OFF)                                | 4          |                      | pF typ            | $f = 1\text{ MHz}$  |
| $C_D$ (OFF)                                | 4          |                      | pF typ            | $f = 1\text{ MHz}$  |
| $C_D$ , $C_S$ (ON)                         | 16         |                      | pF typ            | $f = 1\text{ MHz}$  |
| <b>POWER REQUIREMENTS</b>                  |            |                      |                   |   |
| $I_{DD}$                                   |            |                      |                   | $V_{DD} = +16.5\text{ V}$ , $V_{SS} = -16.5\text{ V}$                         |
|  |            | 80                   | $\mu\text{A}$ max | Digital Inputs = 0 V or 5 V   |
| ADG441/ADG442                              |            |                      | $\mu\text{A}$ typ |   |
| ADG444                                     | 0.001      |                      | $\mu\text{A}$ max |   |
|  | 1          | 2.5                  | $\mu\text{A}$ max |   |
| $I_{SS}$                                   | 0.0001     |                      | $\mu\text{A}$ typ |   |
|  | 1          | 2.5                  | $\mu\text{A}$ max |   |
| $I_L$ (ADG444 Only)                        | 0.001      |                      | $\mu\text{A}$ typ | $V_L = 5.5\text{ V}$  |
|  | 1          | 2.5                  | $\mu\text{A}$ max |   |

<sup>1</sup> Temperature range is: B Version: -40°C to +85°C.

<sup>2</sup> Guaranteed by design, not subject to production test.

**SINGLE SUPPLY<sup>1</sup>**

$V_{DD} = +12\text{ V} \pm 10\%$ ,  $V_{SS} = 0\text{ V}$ ,  $V_L = +5\text{ V} \pm 10\%$  (ADG444),  $GND = 0\text{ V}$ , unless otherwise noted.

**Table 2.**

| Parameter                                  | B Version  |                | Unit              | Test Conditions/Comments   |
|--|------------|----------------|-------------------|--|
|  | +25°C      | -40°C to +85°C |                   |  |
| <b>ANALOG SWITCH</b>                       |            |                |                   |  |
| Analog Signal Range                        |            | 0 to $V_{DD}$  | V                 |  |
| $R_{ON}$                                   | 70         |                | $\Omega$ typ      | $V_D = +3\text{ V}, +8\text{ V}, I_S = -5\text{ mA}$   |
|  | 110        | 130            | $\Omega$ max      | $V_{DD} = 10.8\text{ V}$   |
| $\Delta R_{ON}$                            |            | 4              | $\Omega$ typ      | $3\text{ V} \leq V_D \leq 8\text{ V}$  |
|  |            | 9              | $\Omega$ max      |  |
| $R_{ON}$ Match                             |            | 1              | $\Omega$ typ      | $V_D = +6\text{ V}, I_S = -5\text{ mA}$  |
|  |            | 3              | $\Omega$ max      |  |
| <b>LEAKAGE CURRENT</b>                     |            |                |                   |  |
| Source OFF Leakage $I_S$ (OFF)             | $\pm 0.01$ |                | nA typ            | $V_{DD} = 13.2\text{ V}$<br>$V_D = 12.2\text{ V}/1\text{ V}, V_S = 1\text{ V}/12.2\text{ V}$ |
|  | $\pm 0.5$  | $\pm 3$        | nA max            | See Figure 15  |
| Drain OFF Leakage $I_D$ (OFF)              | $\pm 0.01$ |                | nA typ            | $V_D = 12.2\text{ V}/1\text{ V}, V_S = 1\text{ V}/12.2\text{ V}$                             |
|  | $\pm 0.5$  | $\pm 3$        | nA max            | See Figure 15  |
| Channel ON Leakage $I_D, I_S$ (ON)         | $\pm 0.08$ |                | nA typ            | $V_S = V_D = 12.2\text{ V}/1\text{ V}$   |
|  | $\pm 0.5$  | $\pm 3$        | nA max            | Figure 16  |
| <b>DIGITAL INPUTS</b>                      |            |                |                   |  |
| Input High Voltage, $V_{INH}$              |            | 2.4            | V min             |  |
| Input Low Voltage, $V_{INL}$               |            | 0.8            | V max             |  |
| Input Current                              |            |                |                   |  |
| $I_{INL}$ or $I_{INH}$                     |            | $\pm 0.00001$  | $\mu\text{A}$ typ | $V_{IN} = V_{INL}$ or $V_{INH}$  |
|  |            | $\pm 0.5$      | $\mu\text{A}$ max |  |
| <b>DYNAMIC CHARACTERISTICS<sup>2</sup></b> |            |                |                   |  |
| $t_{ON}$                                   | 105        |                | ns typ            | $R_L = 1\text{ k}\Omega, C_L = 35\text{ pF}$   |
|  | 150        | 220            | ns max            | $V_S = 8\text{ V}$ ; Figure 17   |
| $t_{OFF}$                                  | 40         |                | ns typ            | $R_L = 1\text{ k}\Omega, C_L = 35\text{ pF}$   |
|  | 60         | 100            | ns max            | $V_S = 8\text{ V}$ ; Figure 17   |
| $t_{OPEN}$                                 | 50         |                | ns typ            | $R_L = 1\text{ k}\Omega, C_L = 35\text{ pF}$   |
| Charge Injection                           | 2          |                | pC typ            | $V_S = 6\text{ V}, R_S = 0\ \Omega, C_L = 1\text{ nF}$                                       |
|  | 6          |                | pC max            | $V_{DD} = 12\text{ V}, V_{SS} = 0\text{ V}$ ; see Figure 18                                  |
| OFF Isolation                              | 60         |                | dB typ            | $R_L = 50\ \Omega, C_L = 5\text{ pF}, f = 1\text{ MHz}$ ; see Figure 19                      |
| Channel-to-Channel Crosstalk               | 100        |                | dB typ            | $R_L = 50\ \Omega, C_L = 5\text{ pF}, f = 1\text{ MHz}$ ; see Figure 20                      |
| $C_S$ (OFF)                                | 7          |                | pF typ            | $f = 1\text{ MHz}$   |
| $C_D$ (OFF)                                | 10         |                | pF typ            | $f = 1\text{ MHz}$   |
| $C_D, C_S$ (ON)                            | 16         |                | pF typ            | $f = 1\text{ MHz}$   |
| <b>POWER REQUIREMENTS</b>                  |            |                |                   |  |
| $I_{DD}$                                   |            |                |                   | $V_{DD} = 13.2\text{ V}$<br>Digital Inputs = 0 V or 5 V                                      |
| ADG441/ADG442                              |            | 80             | $\mu\text{A}$ max |  |
| ADG444                                     | 0.001      |                | $\mu\text{A}$ typ |  |
|  | 1          | 2.5            | $\mu\text{A}$ max |  |
| $I_L$ (ADG444 Only)                        | 0.001      |                | $\mu\text{A}$ typ | $V_L = 5.5\text{ V}$   |
|  | 1          | 2.5            | $\mu\text{A}$ max |  |

<sup>1</sup> Temperature range is: B Version:  $-40^\circ\text{C}$  to  $+85^\circ\text{C}$ .

<sup>2</sup> Guaranteed by design, not subject to production test.

## ABSOLUTE MAXIMUM RATINGS

$T_A = 25^\circ\text{C}$  unless otherwise noted.

**Table 3.**

| Parameter  | Rating  |
|--|---|
| $V_{DD}$ to $V_{SS}$   | 44 V  |
| $V_{DD}$ to GND  | -0.3 V to +25 V   |
| $V_{SS}$ to GND  | +0.3 V to -25 V   |
| $V_L$ to GND   | -0.3 V to $V_{DD} + 0.3$ V  |
| Analog, Digital Inputs                                       | $V_{SS} - 2$ V to $V_{DD} + 2$ V<br>or 30 mA, Whichever<br>Occurs First |
| Continuous Current, S or D                                   | 30 mA   |
| Peak Current, S or D (Pulsed at 1 ms,<br>10% Duty Cycle Max) | 100 mA  |
| Operating Temperature Range<br>Industrial (B Version)        | -40°C to +85°C  |
| Storage Temperature Range                                    | -65°C to +150°C   |
| Junction Temperature   | 150°C   |
| Lead Temperature, Soldering (10 sec)                         | 300°C   |
| Plastic Package, Power Dissipation                           | 470 mW  |
| $\theta_{JA}$ , Thermal Impedance                            | 177°C/W   |
| Lead Temperature, Soldering (10 sec)                         | 260°C   |
| SOIC Package, Power Dissipation                              | 600 mW  |
| $\theta_{JA}$ , Thermal Impedance                            | 77°C/W  |
| Lead Temperature, Soldering<br>Vapor Phase (60 sec)          | 215°C   |
| Infrared (15 sec)  | 220°C   |

Stresses above those listed under Absolute Maximum Ratings may cause permanent damage to the device. This is a stress rating only; functional operation of the device at these or any other conditions above those indicated in the operational section of this specification is not implied. Exposure to absolute maximum rating conditions for extended periods may affect device reliability.

**Table 4. Truth Table**

| ADG441/ADG444 IN | ADG442 IN | Switch Condition |
|------------------|-----------|------------------|
| 0                | 1         | ON               |
| 1                | 0         | OFF              |

### ESD CAUTION



**ESD (electrostatic discharge) sensitive device.** Charged devices and circuit boards can discharge without detection. Although this product features patented or proprietary protection circuitry, damage may occur on devices subjected to high energy ESD. Therefore, proper ESD precautions should be taken to avoid performance degradation or loss of functionality.

**PIN CONFIGURATION AND FUNCTION DESCRIPTIONS**

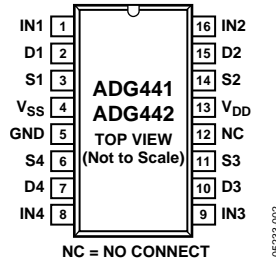


Figure 2. ADG441/ADG442 (DIP/SOIC)

**Table 5. ADG441/ADG442 Pin Function Descriptions**

| Pin No.      | Mnemonic        | Description  |
|--------------|-----------------|--|
| 1, 8, 9, 16  | IN1 to IN4      | Logic Control Input.   |
| 2, 7, 10, 15 | D1 to D4        | Drain Terminal. May be an input or output.   |
| 3, 6, 11, 14 | S1 to S4        | Source Terminal. May be an input or output.  |
| 4            | V <sub>SS</sub> | Most Negative Power Supply Potential in Dual Supplies. In single-supply applications, it may be connected to ground. |
| 5            | GND             | Ground (0 V) Reference.  |
| 12           | NC              | No Connect.  |
| 13           | V <sub>DD</sub> | Most Positive Power Supply Potential.  |

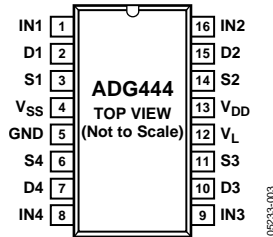


Figure 3. ADG444 (DIP/SOIC)

**Table 6. ADG444 Pin Function Descriptions**

| Pin No.      | Mnemonic        | Description  |
|--------------|-----------------|--|
| 1, 8, 9, 16  | IN1 to IN4      | Logic Control Input.   |
| 2, 7, 10, 15 | D1 to D4        | Drain Terminal. May be an input or output.   |
| 3, 6, 11, 14 | S1 to S4        | Source Terminal. May be an input or output.  |
| 4            | V <sub>SS</sub> | Most Negative Power Supply Potential in Dual Supplies. In single-supply applications, it may be connected to ground. |
| 5            | GND             | Ground (0 V) Reference.  |
| 12           | V <sub>L</sub>  | Logic Power Supply (5 V).  |
| 13           | V <sub>DD</sub> | Most Positive Power Supply Potential.  |

TYPICAL PERFORMANCE CHARACTERISTICS

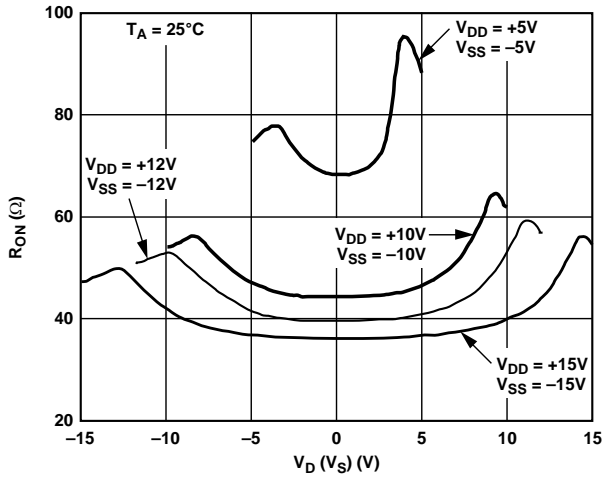


Figure 4.  $R_{ON}$  as a Function of  $V_D$  ( $V_S$ ): Dual Supply

06233-005

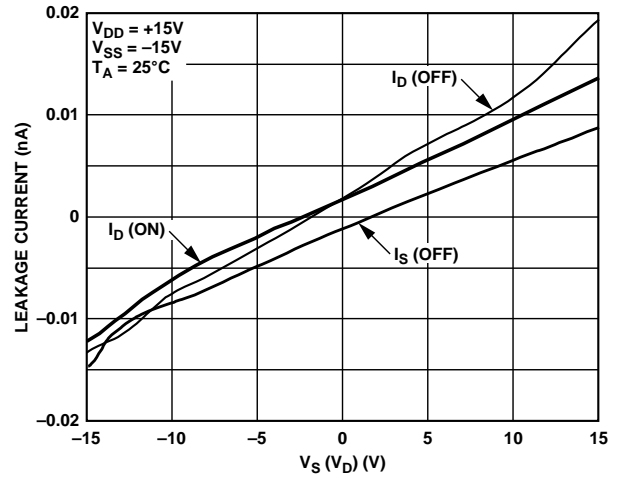


Figure 7. Leakage Currents as a Function of  $V_S$  ( $V_D$ )

06233-006

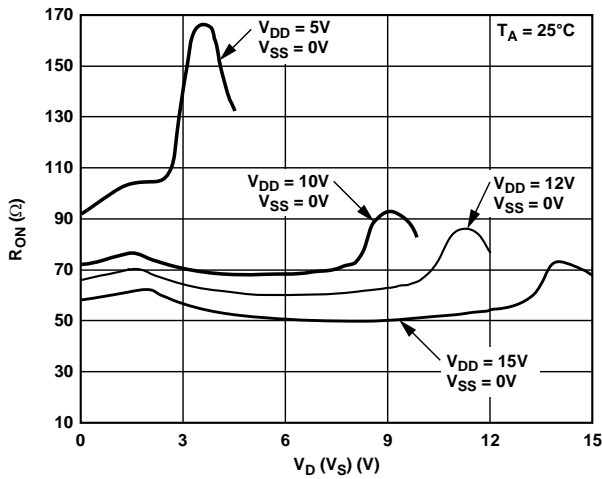


Figure 5.  $R_{ON}$  as a Function of  $V_D$  ( $V_S$ ): Single Supply

06233-006

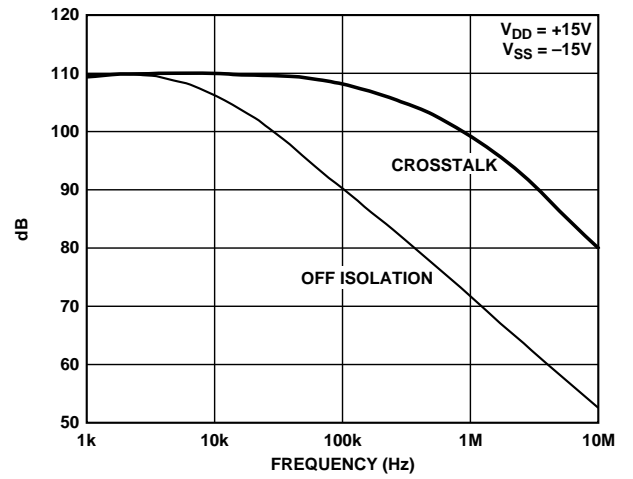


Figure 8. Crosstalk and Off Isolation vs. Frequency

05233-009

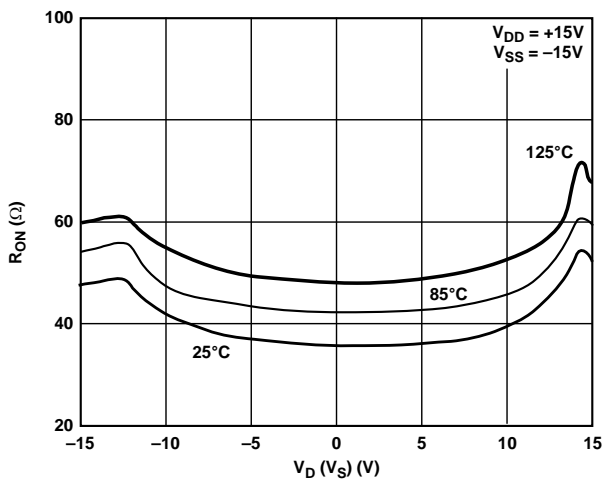


Figure 6.  $R_{ON}$  as a Function of  $V_D$  ( $V_S$ ) for Different Temperatures

06233-007

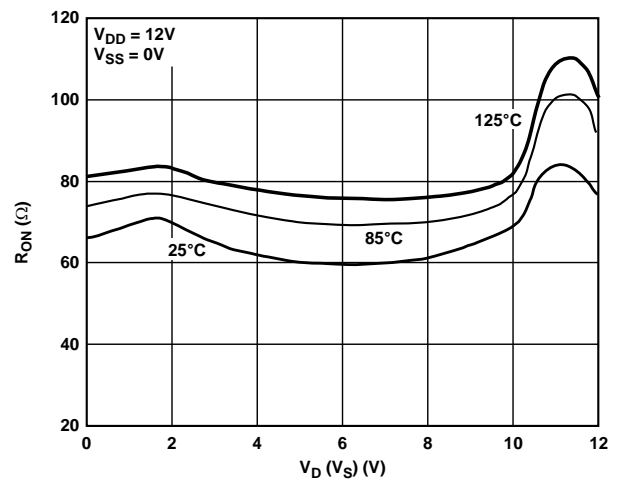


Figure 9.  $R_{ON}$  as a Function of  $V_D$  ( $V_S$ ) for Different Temperatures

06233-010

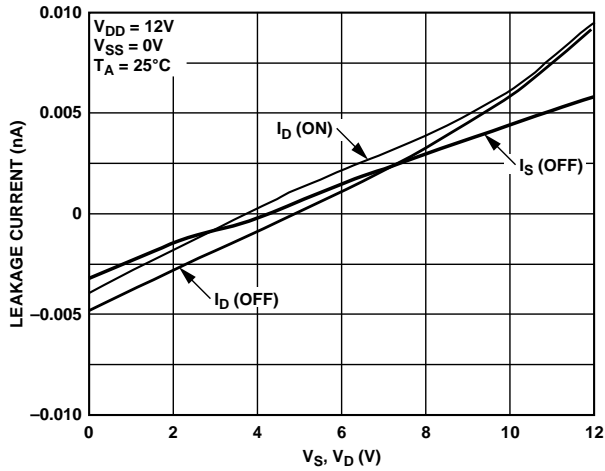


Figure 10. Leakage Currents as a Function of  $V_S$  ( $V_D$ )

05233-011

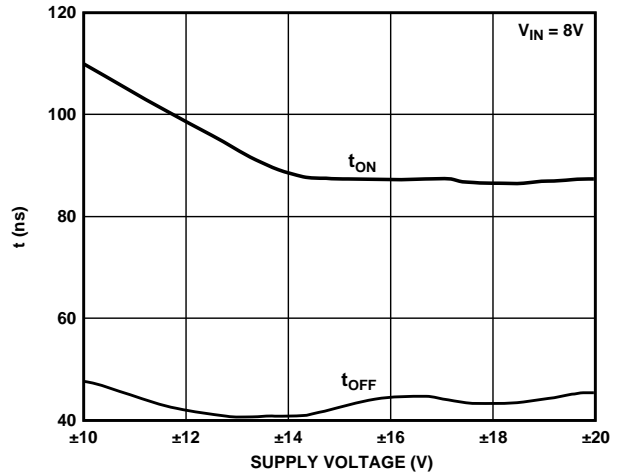


Figure 12. Switching Time vs. Bipolar Supply

05233-013

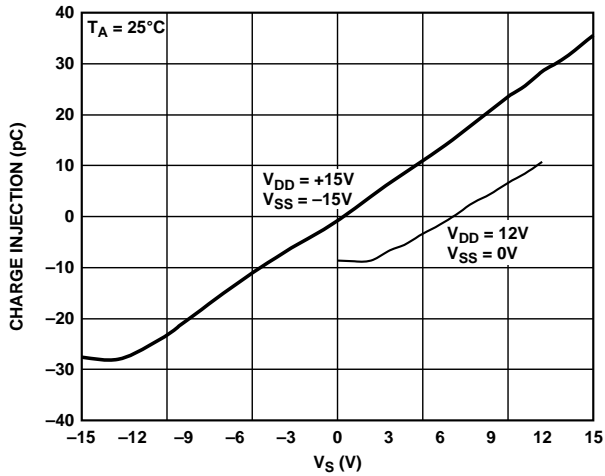


Figure 11. Charge Injection vs. Source Voltage

05233-012

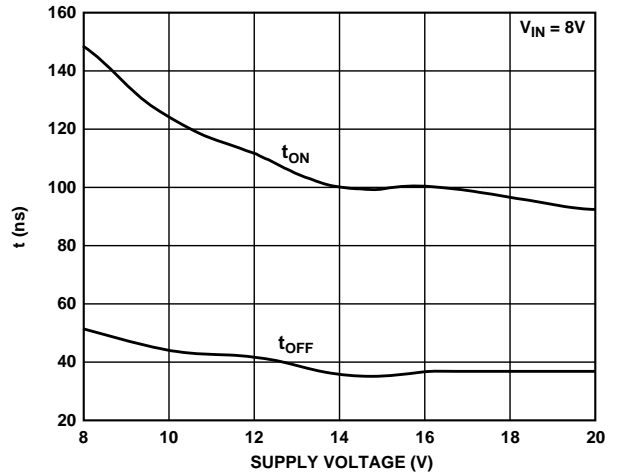


Figure 13. Switching Time vs. Single Supply

05233-014



TEST CIRCUITS

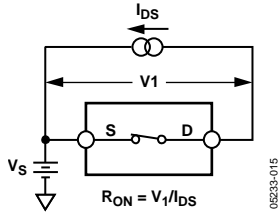


Figure 14. On Resistance

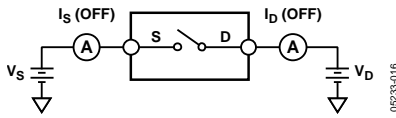


Figure 15. Off Leakage

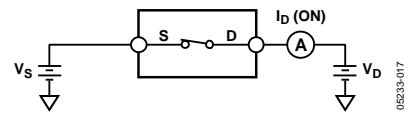


Figure 16. On Leakage

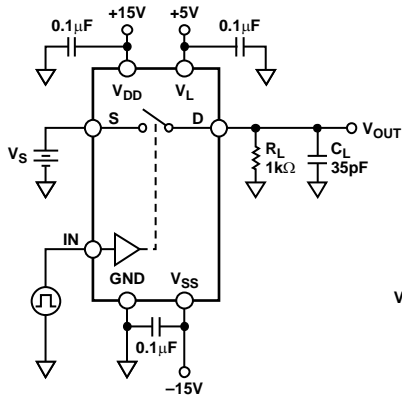


Figure 17. Switching Times

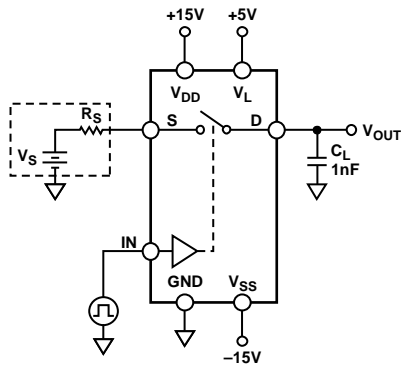
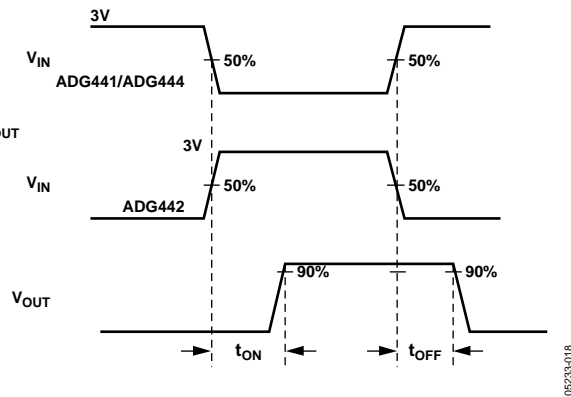
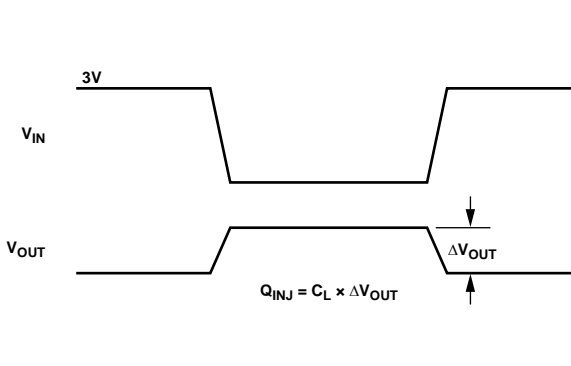
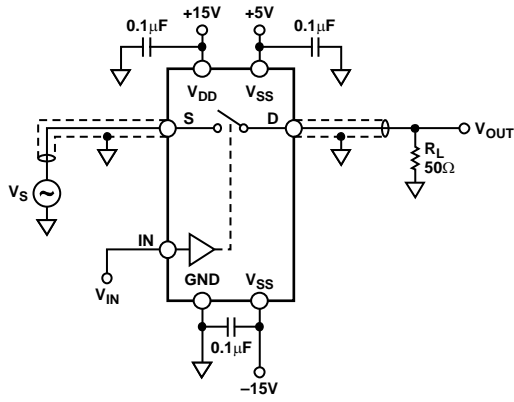


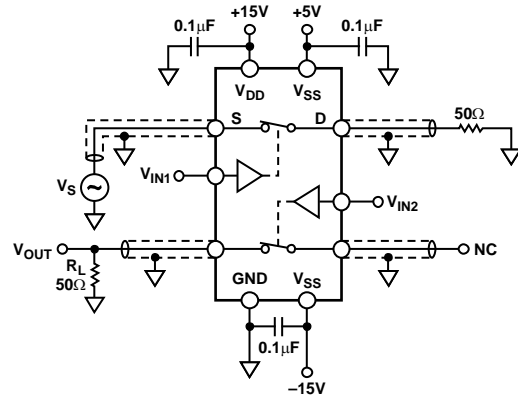
Figure 18. Charge Injection





05233-021

Figure 19. Off Isolation



05233-022

CHANNEL-TO-CHANNEL CROSSTALK =  $20 \times \text{LOG} |V_S/V_{OUT}|$

Figure 20. Channel-to-Channel Crosstalk

## TERMINOLOGY

**R<sub>ON</sub>**

Ohmic resistance between D and S.

**R<sub>ON Match</sub>**

Difference between the R<sub>ON</sub> of any two channels.

**I<sub>S</sub> (OFF)**

Source leakage current with the switch OFF.

**I<sub>D</sub> (OFF)**

Drain leakage current with the switch OFF.

**I<sub>D</sub>, I<sub>S</sub> (ON)**

Channel leakage current with the switch ON.

**V<sub>D</sub> (V<sub>S</sub>)**

Analog voltage on Terminals D, S.

**C<sub>S</sub> (OFF)**

OFF switch source capacitance.

**C<sub>D</sub> (OFF)**

OFF switch drain capacitance.

**C<sub>D</sub>, C<sub>S</sub> (ON)**

ON switch capacitance.

**t<sub>ON</sub>**

Delay between applying the digital control input and the output switching on.

**t<sub>OFF</sub>**

Delay between applying the digital control input and the output switching off.

**t<sub>OPEN</sub>**

Break-before-make delay when switches are configured as a multiplexer.

**Crosstalk**

A measure of unwanted signal which is coupled through from one channel to another as a result of parasitic capacitance.

**Off Isolation**

A measure of unwanted signal coupling through an OFF switch.

**Charge Injection**

A measure of the glitch impulse transferred from the digital input to the analog output during switching.

## TRENCH ISOLATION

In the [ADG441A](#), [ADG442A](#), and [ADG444A](#), an insulating oxide layer (trench) is placed between the NMOS and the PMOS transistors of each CMOS switch. Parasitic junctions, which occur between the transistors in junction isolated switches, are eliminated, and the result is a completely latch-up proof switch.

In junction isolation, the N and P wells of the PMOS and NMOS transistors form a diode that is reverse-biased under normal operation. However, during overvoltage conditions, this diode becomes forward-biased. A silicon-controlled rectifier (SCR) type circuit is formed by the two transistors causing a significant amplification of the current which, in turn, leads to latch-up. With trench isolation, this diode is removed, and the result is a latch-up proof switch.

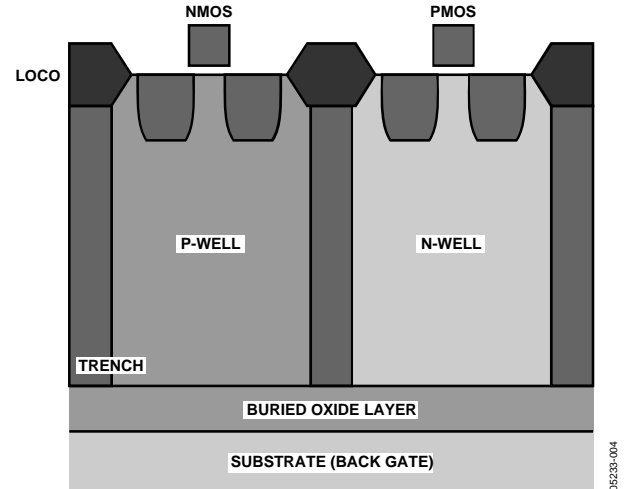
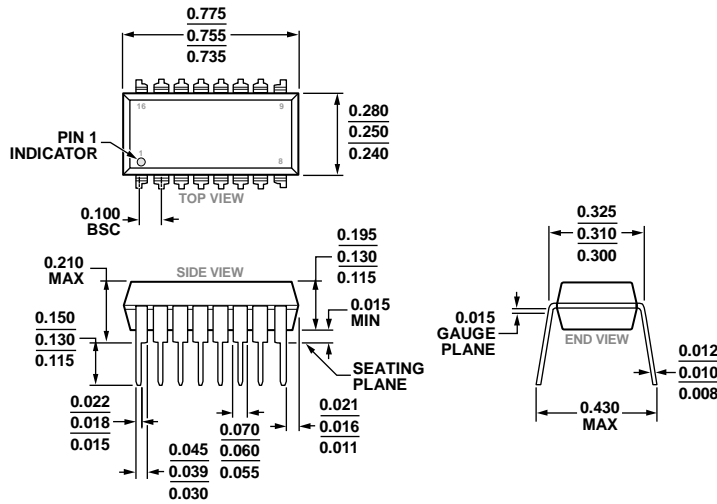


Figure 21. Trench Isolation

OUTLINE DIMENSIONS

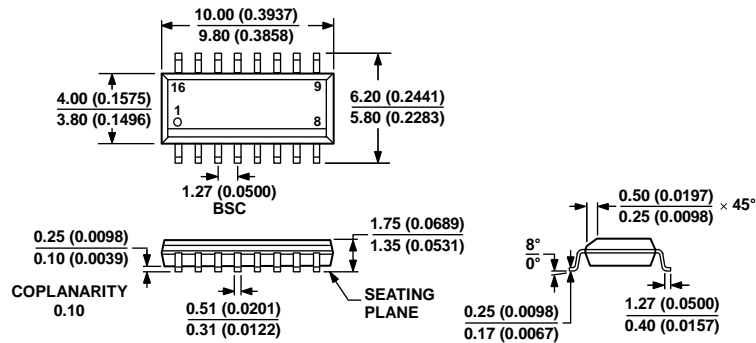


COMPLIANT TO JEDEC STANDARDS MS-001-BB

Figure 22. 16-Lead Plastic Dual In-Line Package [PDIP] Narrow Body (N-16)

Dimensions shown in inches

03-07-2014-D



COMPLIANT TO JEDEC STANDARDS MS-012-AC

CONTROLLING DIMENSIONS ARE IN MILLIMETERS; INCH DIMENSIONS (IN PARENTHESES) ARE ROUNDED-OFF MILLIMETER EQUIVALENTS FOR REFERENCE ONLY AND ARE NOT APPROPRIATE FOR USE IN DESIGN.

Figure 23. 16-Lead Standard Small Outline Package [SOIC\_N] (R-16)

Dimensions shown in millimeters and (inches)

060606-A

**ORDERING GUIDE**

| Model <sup>1,2</sup> | Temperature Range | Package Description                             | Package Option |
|----------------------|-------------------|---|----------------|
| ADG441BNZ            | -40°C to +85°C    | 16-Lead Plastic Dual In-Line Package [PDIP]     | N-16           |
| ADG441BR             | -40°C to +85°C    | 16-Lead Standard Small Outline Package [SOIC_N] | R-16           |
| ADG441BR-REEL        | -40°C to +85°C    | 16-Lead Standard Small Outline Package [SOIC_N] | R-16           |
| ADG441BRZ            | -40°C to +85°C    | 16-Lead Standard Small Outline Package [SOIC_N] | R-16           |
| ADG441BRZ-REEL       | -40°C to +85°C    | 16-Lead Standard Small Outline Package [SOIC_N] | R-16           |
| ADG441ABCHIPS        |                   | DIE   |                |
| ADG441ABR-REEL       | -40°C to +85°C    | 16-Lead Standard Small Outline Package [SOIC_N] | R-16           |
| ADG441ABRZ-REEL      | -40°C to +85°C    | 16-Lead Standard Small Outline Package [SOIC_N] | R-16           |
| ADG442BNZ            | -40°C to +85°C    | 16-Lead Plastic Dual In-Line Package [PDIP]     | N-16           |
| ADG442BRZ            | -40°C to +85°C    | 16-Lead Standard Small Outline Package [SOIC_N] | R-16           |
| ADG442BRZ-REEL       | -40°C to +85°C    | 16-Lead Standard Small Outline Package [SOIC_N] | R-16           |
| ADG444BNZ            | -40°C to +85°C    | 16-Lead Plastic Dual In-Line Package [PDIP]     | N-16           |
| ADG444BR             | -40°C to +85°C    | 16-Lead Standard Small Outline Package [SOIC_N] | R-16           |
| ADG444BR-REEL        | -40°C to +85°C    | 16-Lead Standard Small Outline Package [SOIC_N] | R-16           |
| ADG444BRZ            | -40°C to +85°C    | 16-Lead Standard Small Outline Package [SOIC_N] | R-16           |
| ADG444BRZ-REEL       | -40°C to +85°C    | 16-Lead Standard Small Outline Package [SOIC_N] | R-16           |

<sup>1</sup> Z = RoHS Compliant Part.<sup>2</sup> A = Trench isolated.

**NOTES**

**NOTES**



# Mouser Electronics

Authorized Distributor

Click to View Pricing, Inventory, Delivery & Lifecycle Information:

[Analog Devices Inc.:](#)

[ADG442BNZ](#) [ADG442BRZ-REEL](#) [ADG442BRZ](#)