

QUINT-PS/12DC/12DC/8 - DC/DC converter



2905007

<https://www.phoenixcontact.com/us/products/2905007>

Please be informed that the data shown in this PDF document is generated from our online catalog. Please find the complete data in the user documentation. Our general terms of use for downloads are valid.



Primary-switched QUINT DC/DC converter for DIN rail mounting with SFB (selective fuse breaking) technology, input: 12 V DC, output: 12 V DC/8 A

Product description

QUINT DC/DC converter with maximum functionality

DC/DC converters alter the voltage level, regenerate the voltage at the end of long cables or enable the creation of independent supply systems by means of electrical isolation.

QUINT DC/DC converters magnetically and therefore quickly trip circuit breakers with six times the nominal current, for selective and therefore cost-effective system protection. The high level of system availability is additionally ensured, thanks to preventive function monitoring, as it reports critical operating states before errors occur.

Your advantages

- Reliable starting of difficult loads, thanks to the static POWER BOOST power reserve with up to 125% nominal current permanently
- Preventive function monitoring indicates critical operating states before errors occur
- Constant voltage: output voltage regenerated even at the end of long cables
- Support conversion to various voltage levels
- Electrical isolation: for setting up independent supply systems

Commercial data

| | |
|--------------------------------------|---------------------|
| Item number | 2905007 |
| Packing unit | 1 pc |
| Minimum order quantity | 1 pc |
| Sales key | CM05 |
| Product key | CMDQ42 |
| Catalog page | Page 293 (C-4-2019) |
| GTIN | 4046356908412 |
| Weight per piece (including packing) | 823.6 g |
| Weight per piece (excluding packing) | 697 g |
| Customs tariff number | 85044095 |
| Country of origin | CN |

Technical data

Input data

DC operation

| | |
|------------------------------------|--------------------------------------|
| Nominal input voltage range | 12 V DC |
| Input voltage range | 9 V DC ... 18 V DC |
| Wide-range input | no |
| Voltage type of supply voltage | DC |
| Inrush current | < 6 A (typical) |
| Inrush current integral (I^2t) | < 0.6 A ² s |
| Mains buffering time | typ. 3 ms (12 V DC) |
| Current consumption | 12 A (12 V, I_{BOOST}) |
| Reverse polarity protection | ≤ 30 V DC |
| Protective circuit | Transient surge protection; Varistor |
| Input fuse | 25 A (internal (device protection)) |

Output data

| | |
|--|--|
| Efficiency | > 89 % |
| Output characteristic | U/I |
| Nominal output voltage | 12 V DC ±1 % |
| Setting range of the output voltage (U_{Set}) | 5 V DC ... 18 V DC (> 12 V DC, constant capacity restricted) |
| Nominal output current (I_N) | 8 A (-25 °C ... 60 °C) |
| POWER BOOST (I_{Boost}) | 10 A (-25 °C ... 40 °C permanent, $U_{OUT} = 12$ V DC) |
| Selective Fuse Breaking (I_{SFB}) | 48 A (12 ms) |
| Magnetic circuit breaker tripping | B2 / B4 / C2 |
| Derating | 60 °C ... 70 °C (2.5 %/K) |
| Feedback voltage resistance | 25 V DC |
| Protection against overvoltage at the output (OVP) | < 25 V DC |
| Max. capacitive load | unlimited |
| Active current limitation | 15 A |
| Control deviation | < 1 % (change in load, static 10 % ... 90 %) < 2 % (change in load, dynamic 10 % ... 90 %) < 0.1 % (change in input voltage ±10 %) |
| Residual ripple | < 20 mV _{PP} |
| Output power | 96 W |
| Peak switching voltages nominal load | < 10 mV _{PP} (20 MHz) |
| Maximum no-load power dissipation | 1.5 W |
| Power loss nominal load max. | 11.8 W |
| Rise time | < 2 ms (U_{OUT} (10 % ... 90 %)) |
| Connection in parallel | yes, for redundancy and increased capacity |
| Connection in series | yes |

Signal: DC OK active

QUINT-PS/12DC/12DC/8 - DC/DC converter



2905007

<https://www.phoenixcontact.com/us/products/2905007>

| | |
|-------------------------|--|
| Output description | $U_{OUT} > 0.9 \times U_N$: High signal |
| Switching voltage range | 12 V DC |
| Maximum inrush current | < 20 mA (short-circuit-proof) |

Signal: POWER BOOST, active

| | |
|-------------------------|-------------------------------|
| Output description | $I_{OUT} < I_N$: High signal |
| Switching voltage range | 12 V DC |
| Maximum inrush current | < 20 mA (short-circuit-proof) |

Signal: U_{IN} OK, active

| | |
|-------------------------|------------------------------------|
| Output description | $U_{IN} > 9.6$ V: high signal |
| Switching voltage range | 12 V DC |
| Maximum inrush current | ≤ 20 mA (short-circuit-proof) |

Connection data

Input

| | |
|---------------------------------------|---------------------|
| Connection method | Screw connection |
| Conductor cross section, rigid min. | 0.2 mm ² |
| Conductor cross section, rigid max. | 2.5 mm ² |
| Conductor cross section flexible min. | 0.2 mm ² |
| Conductor cross section flexible max. | 2.5 mm ² |
| Conductor cross section AWG min. | 24 |
| Conductor cross section AWG max. | 12 |
| Stripping length | 8 mm |
| Screw thread | M3 |
| Tightening torque, min | 0.5 Nm |
| Tightening torque max | 0.6 Nm |

Output

| | |
|---------------------------------------|---------------------|
| Connection method | Screw connection |
| Conductor cross section, rigid min. | 0.2 mm ² |
| Conductor cross section, rigid max. | 2.5 mm ² |
| Conductor cross section flexible min. | 0.2 mm ² |
| Conductor cross section flexible max. | 2.5 mm ² |
| Conductor cross section AWG min. | 24 |
| Conductor cross section AWG max. | 12 |
| Stripping length | 7 mm |
| Screw thread | M3 |
| Tightening torque, min | 0.5 Nm |
| Tightening torque max | 0.6 Nm |

Signal

| | |
|---------------------------------------|---------------------|
| Conductor cross section, rigid min. | 0.2 mm ² |
| Conductor cross section, rigid max. | 2.5 mm ² |
| Conductor cross section flexible min. | 0.2 mm ² |

QUINT-PS/12DC/12DC/8 - DC/DC converter



2905007

<https://www.phoenixcontact.com/us/products/2905007>

| | |
|---------------------------------------|---------------------|
| Conductor cross section flexible max. | 2.5 mm ² |
| Conductor cross section AWG min. | 24 |
| Conductor cross section AWG max. | 12 |
| Screw thread | M3 |
| Tightening torque, min | 0.5 Nm |
| Tightening torque max | 0.6 Nm |

Signaling

| | |
|--------------------|-------------------------|
| Types of signaling | LED |
| | Active switching output |
| | Relay contact |

Signal output: DC OK active

| | |
|----------------|-------------------|
| Status display | "DC OK" LED green |
| Color | green |

Signal output: POWER BOOST, active

| | |
|----------------|--|
| Status display | "BOOST" LED yellow/ $I_{OUT} > I_N$: LED on |
|----------------|--|

Signal output: U_{IN} OK, active

| | |
|----------------|---|
| Status display | LED " $U_{IN} < 9.6$ V" yellow/ $U_{IN} < 9.6$ V DC: LED on |
|----------------|---|

Electrical properties

| | |
|---------------------------------|---------------------|
| Number of phases | 1.00 |
| Insulation voltage input/output | 1.5 kV (type test) |
| | 1 kV (routine test) |
| | 1 kV (type test) |

Product properties

| | |
|----------------------------|---------------------|
| Product type | DC/DC converters |
| Product family | QUINT POWER |
| MTBF (IEC 61709, SN 29500) | > 1614000 h (25 °C) |
| | > 920000 h (40 °C) |

Insulation characteristics

| | |
|---------------------|-----|
| Protection class | III |
| Degree of pollution | 2 |

Dimensions

| | |
|--------|--------|
| Width | 32 mm |
| Height | 130 mm |
| Depth | 125 mm |

Installation dimensions

| | |
|---|-------------------------------|
| Installation distance right/left | 0 mm / 0 mm (≤ 70 °C) |
| Installation distance right/left (active) | 15 mm / 15 mm (≤ 70 °C) |
| Installation distance top/bottom | 50 mm / 50 mm (≤ 70 °C) |

QUINT-PS/12DC/12DC/8 - DC/DC converter



2905007

<https://www.phoenixcontact.com/us/products/2905007>

| | |
|---|---|
| Installation distance top/bottom (active) | 50 mm / 50 mm ($\leq 70\text{ }^{\circ}\text{C}$) |
|---|---|

Alternative assembly

| | |
|--------|--------|
| Width | 122 mm |
| Height | 130 mm |
| Depth | 35 mm |

Mounting

| | |
|-------------------------|---|
| Mounting type | DIN rail: 35 mm |
| Assembly instructions | alignable: $P_N \geq 50\%$, 5 mm horizontally, 15 mm next to active components, 50 mm vertically alignable: $P_N < 50\%$, 0 mm horizontally, 40 mm vertically top, 20 mm vertically bottom |
| Mounting position | horizontal DIN rail NS 35, EN 60715 |
| With protective coating | No |

Material specifications

| | |
|------------------|---|
| Housing material | Metal |
| Type of housing | Aluminum (AIMg3) |
| Hood version | Galvanized sheet steel, free from chrome (VI) |

Environmental and real-life conditions

Ambient conditions

| | |
|--|---|
| Degree of protection | IP20 |
| Ambient temperature (operation) | -25 °C ... 70 °C (> 60 °C Derating: 2,5 %/K) |
| Ambient temperature (storage/transport) | -40 °C ... 85 °C |
| Ambient temperature (start-up type tested) | -40 °C |
| Climatic class | 3K3 (in acc. with EN 60721) |
| Max. permissible relative humidity (operation) | $\leq 95\%$ (at 25 °C, non-condensing) |
| Shock | 18 ms, 30g, in each space direction (according to IEC 60068-2-27) |
| Vibration (operation) | < 15 Hz, amplitude ± 2.5 mm (according to IEC 60068-2-6) 15 Hz ... 150 Hz, 2.3g, 90 min. |

Standards and regulations

| | |
|--|--------------------------------------|
| Rail applications | EN 50121-4 |
| Standard – Electronic equipment for use in electrical power installations and their assembly into electrical power installations | EN 50178/VDE 0160 (PELV) |
| Standard - Electrical safety | EN 60950-1/VDE 0805 (SELV) |
| Standard – Safety extra-low voltage | EN 60950-1 (SELV) EN 60204 (PELV) |
| Standard - Safe isolation | DIN VDE 0100-410 |

Approvals

| | |
|--------------|--|
| UL approvals | UL/C-UL listed UL 508 UL/C-UL Recognized UL 60950-1 |
|--------------|--|

QUINT-PS/12DC/12DC/8 - DC/DC converter



2905007

<https://www.phoenixcontact.com/us/products/2905007>

| | |
|--|--|
| | UL ANSI/ISA-12.12.01 Class I, Division 2, Groups A, B, C, D (Hazardous Location) |
|--|--|

EMC data

| | |
|-------------------------------------|---|
| EMC requirements for noise emission | EN 61000-6-3 |
| | EN 61000-6-4 |
| EMC requirements for noise immunity | EN 61000-6-1 |
| | EN 61000-6-2 |
| Electromagnetic compatibility | Conformance with EMC Directive 2014/30/EU |

Electrostatic discharge

| | |
|-----------------------|--------------|
| Standards/regulations | EN 61000-4-2 |
|-----------------------|--------------|

Electrostatic discharge

| | |
|-------------------|----------------------|
| Contact discharge | 8 kV (Test Level 4) |
| Discharge in air | 15 kV (Test Level 4) |
| Comments | Criterion A |

Electromagnetic HF field

| | |
|-----------------------|--------------|
| Standards/regulations | EN 61000-4-3 |
|-----------------------|--------------|

Electromagnetic HF field

| | |
|---------------------|-----------------------|
| Frequency range | 80 MHz ... 1 GHz |
| Test field strength | 20 V/m (Test Level 3) |
| Frequency range | 1 GHz ... 2 GHz |
| Test field strength | 20 V/m (Test Level 3) |
| Frequency range | 2 GHz ... 3 GHz |
| Test field strength | 10 V/m (Test Level 3) |
| Comments | Criterion A |

Fast transients (burst)

| | |
|-----------------------|--------------|
| Standards/regulations | EN 61000-4-4 |
|-----------------------|--------------|

Fast transients (burst)

| | |
|----------|------------------------------------|
| Input | 2 kV (Test Level 3 - asymmetrical) |
| Output | 2 kV (Test Level 3 - asymmetrical) |
| Signal | 2 kV (Test Level 4 - asymmetrical) |
| Comments | Criterion A |

Surge voltage load (surge)

| | |
|-----------------------|------------------------------------|
| Standards/regulations | EN 61000-4-5 |
| Input | 1 kV (Test Level 1 - symmetrical) |
| | 2 kV (Test Level 3 - asymmetrical) |
| Output | 1 kV (Test Level 3 - symmetrical) |
| | 2 kV (Test Level 3 - asymmetrical) |
| Signal | 1 kV (Test Level 2 - asymmetrical) |
| Comments | Criterion A |

QUINT-PS/12DC/12DC/8 - DC/DC converter



2905007

<https://www.phoenixcontact.com/us/products/2905007>

Conducted interference

| | |
|-----------------------|--------------|
| Standards/regulations | EN 61000-4-6 |
|-----------------------|--------------|

Conducted interference

| | |
|-----------------|---------------------|
| I/O/S | asymmetrical |
| Frequency range | 0.1 MHz ... 80 MHz |
| Comments | Criterion A |
| Voltage | 10 V (Test Level 3) |

Emitted interference

| | |
|--|--|
| Standards/regulations | EN 61000-6-3 |
| Radio interference voltage in acc. with EN 55011 | EN 55011 (EN 55022) Class B, area of application: Industry and residential |
| Emitted radio interference in acc. with EN 55011 | EN 55011 (EN 55022) Class B, area of application: Industry and residential |

Criteria

| | |
|-------------|--|
| Criterion A | Normal operating behavior within the specified limits. |
| Criterion B | Temporary impairment to operational behavior that is corrected by the device itself. |

QUINT-PS/12DC/12DC/8 - DC/DC converter

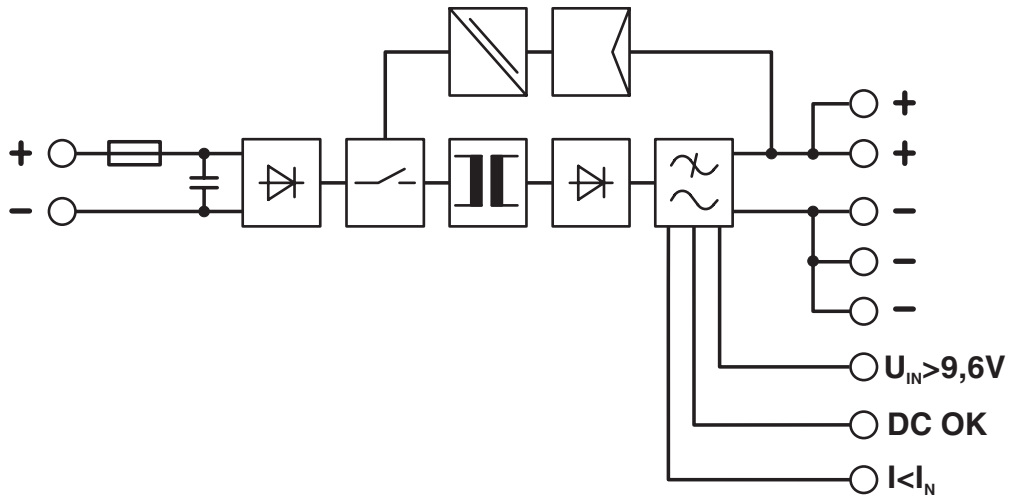


2905007

<https://www.phoenixcontact.com/us/products/2905007>

Drawings

Block diagram



2905007

<https://www.phoenixcontact.com/us/products/2905007>

Approvals

To download certificates, visit the product detail page: <https://www.phoenixcontact.com/us/products/2905007>



cUL Recognized
Approval ID: FILE E 211944



UL Recognized
Approval ID: FILE E 211944



EAC
Approval ID: RU S-DE.BL08.W.00764



UL Listed
Approval ID: FILE E 123528



cUL Listed
Approval ID: FILE E 123528



cUL Listed
Approval ID: FILE E 199827



UL Listed
Approval ID: FILE E 199827

cULus Recognized

cULus Listed

cULus Listed

QUINT-PS/12DC/12DC/8 - DC/DC converter



2905007

<https://www.phoenixcontact.com/us/products/2905007>

Classifications

ECLASS

| | |
|-------------|----------|
| ECLASS-11.0 | 27040701 |
| ECLASS-12.0 | 27040701 |
| ECLASS-13.0 | 27040701 |

ETIM

| | |
|----------|----------|
| ETIM 9.0 | EC002540 |
|----------|----------|

UNSPSC

| | |
|-------------|----------|
| UNSPSC 21.0 | 39121000 |
|-------------|----------|

QUINT-PS/12DC/12DC/8 - DC/DC converter



2905007

<https://www.phoenixcontact.com/us/products/2905007>

Environmental product compliance

| | |
|------------|--|
| REACH SVHC | Lead 7439-92-1 |
| China RoHS | Environmentally Friendly Use Period = 25; |
| | For information on hazardous substances, refer to the manufacturer's declaration available under "Downloads" |

QUINT-PS/12DC/12DC/8 - DC/DC converter



2905007

<https://www.phoenixcontact.com/us/products/2905007>

Accessories

QUINT-PS/1AC/12DC/15 - Power supply unit

2866718

<https://www.phoenixcontact.com/us/products/2866718>



Primary-switched power supply unit QUINT POWER, Pluggable screw connection, DIN rail mounting, SFB Technology (Selective Fuse Breaking), input: 1-phase, output: 12 V DC / 15 A

QUINT-PS/1AC/12DC/20 - Power supply unit

2866721

<https://www.phoenixcontact.com/us/products/2866721>



Primary-switched power supply unit QUINT POWER, Screw connection, SFB Technology (Selective Fuse Breaking), input: 1-phase, output: 12 V DC / 20 A

QUINT-PS/12DC/12DC/8 - DC/DC converter

2905007

<https://www.phoenixcontact.com/us/products/2905007>



TRIO-DIODE/12-24DC/2X10/1X20 - Redundancy module

2866514

<https://www.phoenixcontact.com/us/products/2866514>

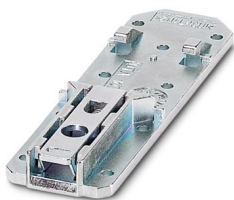


Redundancy module with function monitoring, 12 ... 24 V DC, 2x 10 A, 1x 20 A

UTA 107/30 - Mounting adapter

2320089

<https://www.phoenixcontact.com/us/products/2320089>



Universal DIN rail adapter

QUINT-PS/12DC/12DC/8 - DC/DC converter

2905007

<https://www.phoenixcontact.com/us/products/2905007>



UWA 182/52 - Mounting adapter

2938235

<https://www.phoenixcontact.com/us/products/2938235>



Universal wall adapter for securely mounting the device in the event of strong vibrations. The device is screwed directly onto the mounting surface. The universal wall adapter is attached on the top/bottom.

QUINT-PS-ADAPTERS7/1 - Mounting adapter

2938196

<https://www.phoenixcontact.com/us/products/2938196>

Assembly adapter for QUINT-PS... power supply on S7-300 rail



Phoenix Contact 2024 © - all rights reserved
<https://www.phoenixcontact.com>

Phoenix Contact USA
586 Fulling Mill Road
Middletown, PA 17057, United States
(+717) 944-1300
info@phoenixcon.com