

RAD-900-ANT-OMNI-2-N - Antenna



2904802

<https://www.phoenixcontact.com/us/products/2904802>

Please be informed that the data shown in this PDF document is generated from our online catalog. Please find the complete data in the user documentation. Our general terms of use for downloads are valid.



Omnidirectional antenna, 868 MHz / 900 MHz, gain: 2 dBi, polarization: linear, opening angle: h/v 360°/50°, degree of protection: IP66, connection: N (female), for control cabinet mounting (optional wall mounting)

Your advantages

- For multipoint or mesh connections
- For freely mobile applications

Commercial data

Item number	2904802
Packing unit	1 pc
Sales key	DN23
Product key	DNC6A3
Catalog page	Page 474 (C-6-2017)
GTIN	4046356916844
Weight per piece (including packing)	171.5 g
Weight per piece (excluding packing)	171.5 g
Customs tariff number	85177100
Country of origin	CN

RAD-900-ANT-OMNI-2-N - Antenna

2904802

<https://www.phoenixcontact.com/us/products/2904802>

Technical data

Product properties

Product type	Antenna
Gain	2.15 dBi
Vertical beamwidth	50 °
Horizontal beamwidth	360 °
Polarization	Linear vertical

Electrical properties

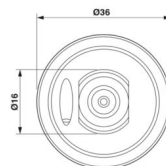
Frequency band	900 MHz
Frequency range	868 MHz ... 960 MHz
Impedance	50 Ω

Connection data

Connection technology

Connection method	N (female)
-------------------	------------

Dimensions

Dimensional drawing	
Height	84 mm
Diameter	36 mm

Material specifications

Material	Xenoy 5720U-7014
----------	------------------

Cable/line

Connecting cable	No
------------------	----

Environmental and real-life conditions

Ambient conditions

Degree of protection	IP66
Ambient temperature (operation)	-40 °C ... 70 °C
Ambient temperature (storage/transport)	-40 °C ... 70 °C

Mounting

Mounting type	Control cabinet
Assembly instructions	Optional wall mounting

RAD-900-ANT-OMNI-2-N - Antenna



2904802

<https://www.phoenixcontact.com/us/products/2904802>

Connection method	N (female)
-------------------	------------

RAD-900-ANT-OMNI-2-N - Antenna

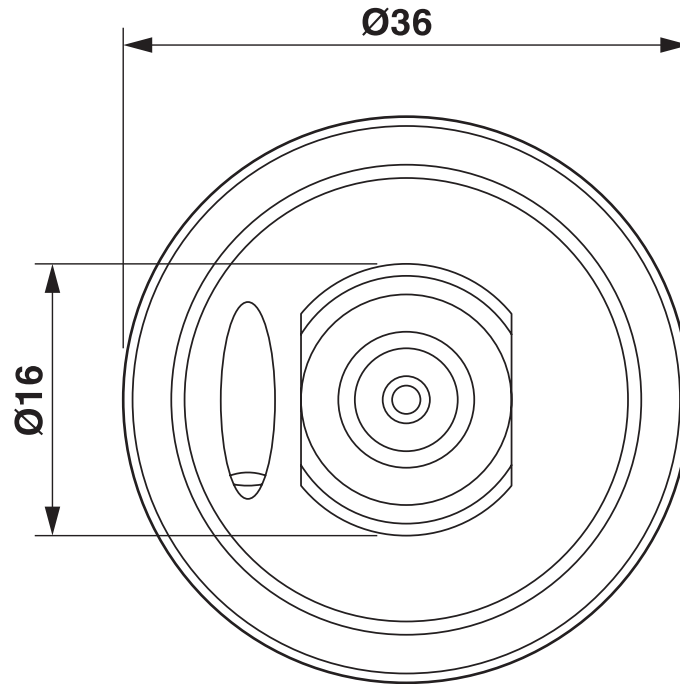
2904802

<https://www.phoenixcontact.com/us/products/2904802>

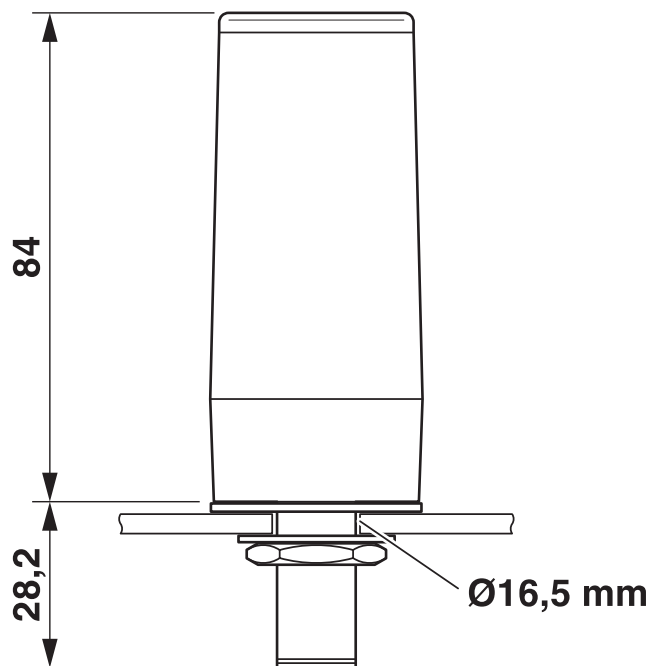


Drawings

Dimensional drawing



Schematic diagram



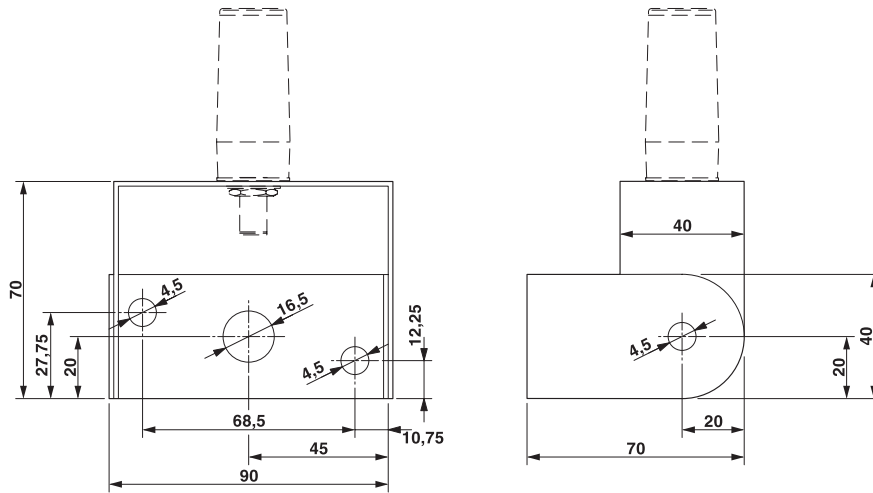
RAD-900-ANT-OMNI-2-N - Antenna



2904802

<https://www.phoenixcontact.com/us/products/2904802>

Dimensional drawing

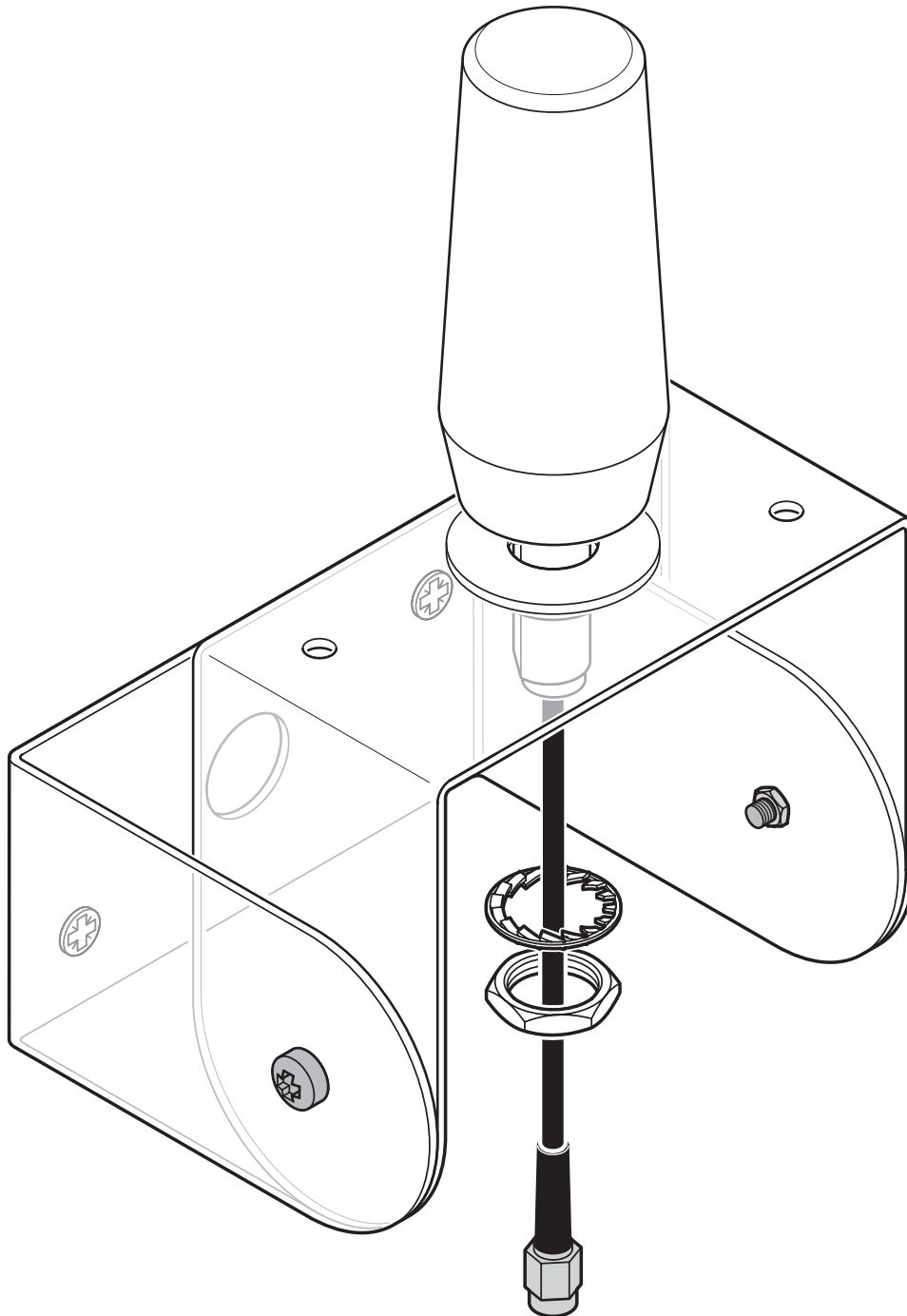


RAD-900-ANT-OMNI-2-N - Antenna

2904802

<https://www.phoenixcontact.com/us/products/2904802>

Schematic diagram



RAD-900-ANT-OMNI-2-N - Antenna



2904802

<https://www.phoenixcontact.com/us/products/2904802>

Classifications

ECLASS

ECLASS-11.0	19070105
ECLASS-12.0	19070105
ECLASS-13.0	19070105

ETIM

ETIM 9.0	EC001698
----------	----------

UNSPSC

UNSPSC 21.0	43223100
-------------	----------

RAD-900-ANT-OMNI-2-N - Antenna



2904802

<https://www.phoenixcontact.com/us/products/2904802>

Environmental product compliance

REACH SVHC	Lead 7439-92-1
China RoHS	Environmentally Friendly Use Period = 50 years
	For information on hazardous substances, refer to the manufacturer's declaration available under "Downloads"

RAD-900-ANT-OMNI-2-N - Antenna



2904802

<https://www.phoenixcontact.com/us/products/2904802>

Accessories

RAD-ANT-VAN-MKT - Mounting material

2885870

<https://www.phoenixcontact.com/us/products/2885870>



Mounting material for wall mounting of omnidirectional antenna with protection against vandals

Phoenix Contact 2024 © - all rights reserved
<https://www.phoenixcontact.com>

Phoenix Contact USA
586 Fulling Mill Road
Middletown, PA 17057, United States
(+717) 944-1300
info@phoenixcon.com