

RAD-ISM-900-ANT-OMNI-FG-6-N - Antenna



2885579

<https://www.phoenixcontact.com/us/products/2885579>

Please be informed that the data shown in this PDF document is generated from our online catalog. Please find the complete data in the user documentation. Our general terms of use for downloads are valid.

Omnidirectional antenna, 900 MHz, gain: 8 dBi, polarization: linear, opening angle: h/v 360°/15°, degree of protection: IP65, connection: N (female), incl. mounting bracket and mast clips



Your advantages

- For freely mobile applications
- For multipoint or mesh connections

Commercial data

Item number	2885579
Packing unit	1 pc
Note	Made to order (non-returnable)
Sales key	DN23
Product key	DNC6A3
Catalog page	Page 395 (C-6-2019)
GTIN	4046356149471
Weight per piece (including packing)	444.44 g
Weight per piece (excluding packing)	444.44 g
Customs tariff number	85177000
Country of origin	US

2885579

<https://www.phoenixcontact.com/us/products/2885579>

Technical data

Product properties

Product type	Antenna
Gain	8 dBi
Vertical beamwidth	15 °
Horizontal beamwidth	360 °
Polarization	Linear vertical

Electrical properties

Frequency band	900 MHz
Frequency range	900 MHz
Impedance	50 Ω

Connection data

Connection technology

Connection method	N (female)
Outside diameter	38 mm ... 60 mm (Mast)

Dimensions

Width	6.05 cm
Height	180.34 cm

External dimensions

Outside diameter	38 mm ... 60 mm (Mast)
------------------	------------------------

Material specifications

Material	Fiberglass-reinforced plastic
	V2A
	V2A

Cable/line

Connecting cable	No
------------------	----

Environmental and real-life conditions

Ambient conditions

Degree of protection	IP65
Ambient temperature (operation)	-40 °C ... 80 °C
Wind velocity	15.5092605 km/h

Mounting

Mounting type	Mast mounting
Connection method	N (female)

RAD-ISM-900-ANT-OMNI-FG-6-N - Antenna

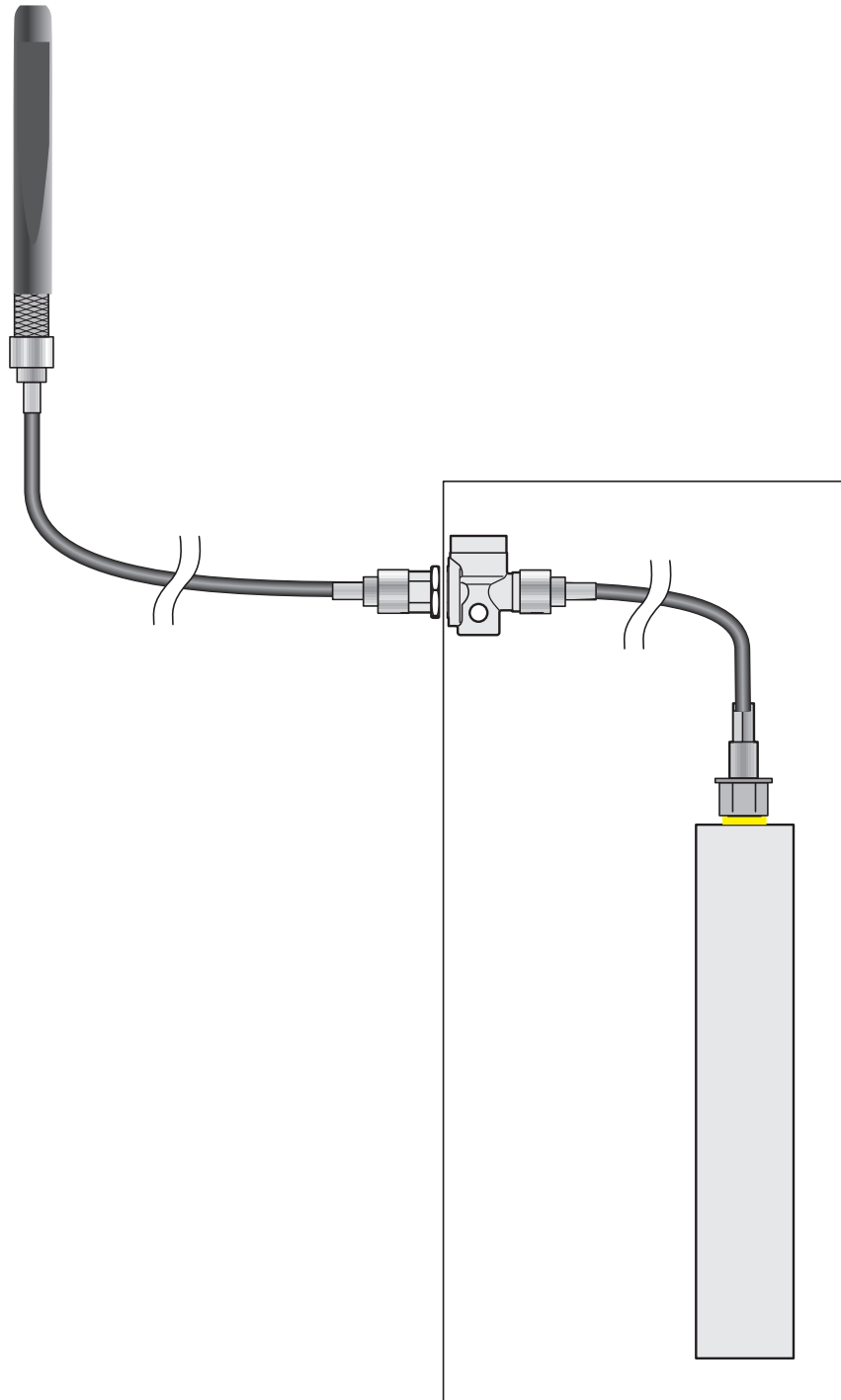


2885579

<https://www.phoenixcontact.com/us/products/2885579>

Drawings

Schematic diagram

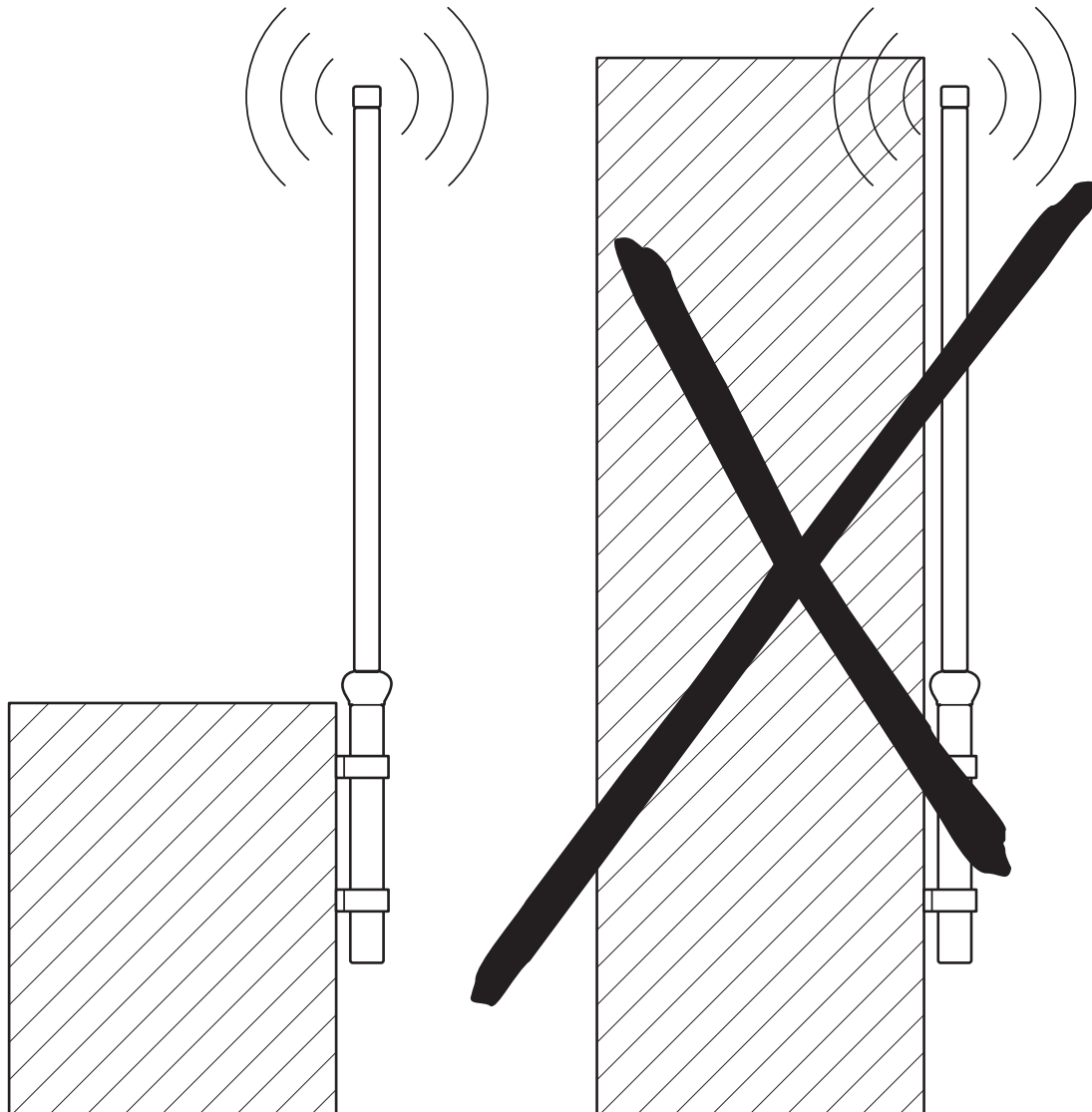


Installation example

2885579

<https://www.phoenixcontact.com/us/products/2885579>

Schematic diagram



RAD-ISM-900-ANT-OMNI-FG-6-N - Antenna



2885579

<https://www.phoenixcontact.com/us/products/2885579>

Classifications

ECLASS

ECLASS-11.0

19070105

ETIM

ETIM 8.0

EC001698

UNSPSC

UNSPSC 21.0

43223100

RAD-ISM-900-ANT-OMNI-FG-6-N - Antenna



2885579

<https://www.phoenixcontact.com/us/products/2885579>

Environmental product compliance

REACH SVHC	Lead 7439-92-1
China RoHS	Environmentally Friendly Use Period = 50 years
	For information on hazardous substances, refer to the manufacturer's declaration available under "Downloads"

Phoenix Contact 2024 © - all rights reserved

<https://www.phoenixcontact.com>

Phoenix Contact USA
586 Fulling Mill Road
Middletown, PA 17057, United States
(+717) 944-1300
info@phoenixcon.com