

D-LAN-CAT.5E-U - Surge protection device



2859084

<https://www.phoenixcontact.com/us/products/2859084>

Please be informed that the data shown in this PDF document is generated from our online catalog. Please find the complete data in the user documentation. Our general terms of use for downloads are valid.



Fine surge protection in accordance with Class D (CAT.5e), for token ring and Ethernet. RJ45 attachment plug with separate grounding cable and snap-on foot for NS 35/7.5 DIN rails

Commercial data

Item number	2859084
Packing unit	1 pc
Minimum order quantity	1 pc
Sales key	CL24
Product key	CL3111
Catalog page	Page 97 (TT-2005)
GTIN	4017918920470
Weight per piece (including packing)	125.4 g
Weight per piece (excluding packing)	125 g
Customs tariff number	85363010
Country of origin	DE

D-LAN-CAT.5E-U - Surge protection device



2859084

<https://www.phoenixcontact.com/us/products/2859084>

Technical data

Product properties

IEC test classification	C1
	C2
	C3
	B2
	B3
VDE requirement class	C1
	C2
	C3
	B2
	B3
Type	Attachment plug for DIN rail mounting
Product type	Surge protection for information technology
Product family	DATATRAB
Surge protection fault message	none

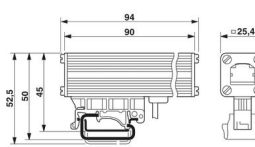
Insulation characteristics

Overvoltage category	II
Pollution degree	2

Connection data

Connection method	RJ45
-------------------	------

Dimensions

Dimensional drawing	
Width	25.4 mm
Height	94 mm
Depth	45.4 mm

Material specifications

Color	black (RAL 9005)
Housing material	Aluminum, anodized

Mechanical properties

Mechanical data

Open side panel	No
-----------------	----

Protective circuit

D-LAN-CAT.5E-U - Surge protection device



2859084

<https://www.phoenixcontact.com/us/products/2859084>

Direction of action	Line-Line & Line-Shield & Shield-Earth Ground
Maximum continuous voltage U_C	± 7 V DC
Rated current	1.5 A (25 °C)
Operating effective current I_C at U_C	≤ 100 μ A
Residual current I_{PE}	≤ 100 μ A
Nominal discharge current I_n (8/20) μ s (line-line)	350 A
Nominal discharge current I_n (8/20) μ s (line-ground)	2.5 kA
Max. discharge current I_{max} (8/20) μ s maximum (line-earth)	2.5 kA (in total)
Nominal pulse current I_{an} (10/700) μ s (line-line)	160 A
Nominal pulse current I_{an} (10/700) μ s (line-earth)	160 A
Output voltage limitation at 1 kV/ μ s (line-line) spike	≤ 22 V
Output voltage limitation at 1 kV/ μ s (line-earth) spike	≤ 80 V (equipotential bonding lead: 1 m)
Output voltage limitation at 1 kV/ μ s (shield-ground) spike	≤ 700 V (equipotential bonding lead: 1 m)
Residual voltage at I_n (conductor-conductor)	≤ 45 V
Residual voltage at I_n (conductor-ground)	≤ 45 V
Residual voltage at I_n (shield-ground)	≤ 700 V
Voltage protection level U_p (line-line)	≤ 50 V (C1 - 500 V / 250 A) ≤ 20 V (B3 - 2 kV / 25 A)
Voltage protection level U_p (line-earth)	≤ 65 V (C1, 500 V/250 A - PA-Ltg: 1 m) ≤ 25 V (B3 - 2 kV / 25 A - PA-Ltg: 1 m) ≤ 60 V (C3, 7 kV/90 A - PA-Ltg: 1 m)
Voltage protection level U_p (shield-ground)	≤ 850 V (C2 - 4 kV/2 kA - PA-Ltg: 1 m)
Response time t_A (line-line)	≤ 500 ns
Response time t_A (line-earth)	≤ 100 ns
Input attenuation aE, sym.	1 dB (up to 100 MHz, 100 Ω system)
Near-end crosstalk attenuation	36 dB (pair 3-6 against pair 4-5 in 100 Ω system / 100 MHz) 40 dB (all other pair combinations in 100 Ω system/100 MHz)
Cut-off frequency f_g (3 dB), sym. in 100 Ω system	≤ 100 MHz
Capacity (Core-Core)	20 pF (typical)
Capacity (Core-Earth)	1 pF (typical)
Surge protection fault message	none
Impulse durability (line-line)	B2 - 4 kV / 100 A B3 - 2 kV / 25 A C1 - 500 V / 250 A
Impulse durability (line-earth)	B2 - 4 kV / 100 A C1 - 500 V / 250 A C2 - 4 kV / 2 kA B3 - 2 kV / 25 A

Environmental and real-life conditions

Ambient conditions

Degree of protection	IP20
Ambient temperature (operation)	-40 °C ... 80 °C

D-LAN-CAT.5E-U - Surge protection device



2859084

<https://www.phoenixcontact.com/us/products/2859084>

Standards and regulations

VDE requirement class	C1
	C2
	C3
	B2
	B3

Air clearances and creepage distances

Standards/regulations	DIN VDE 0110-1 / IEC 60664-1
-----------------------	------------------------------

Standards Information technology specification

Standards/regulations	IEC 61643-21
	E VDE 0845-3-1
	DIN EN 50173-1
	IEC 61643-21
	E VDE 0845-3-1
	DIN EN 50173-1

Mounting

Mounting type	DIN rail: 35 mm
---------------	-----------------

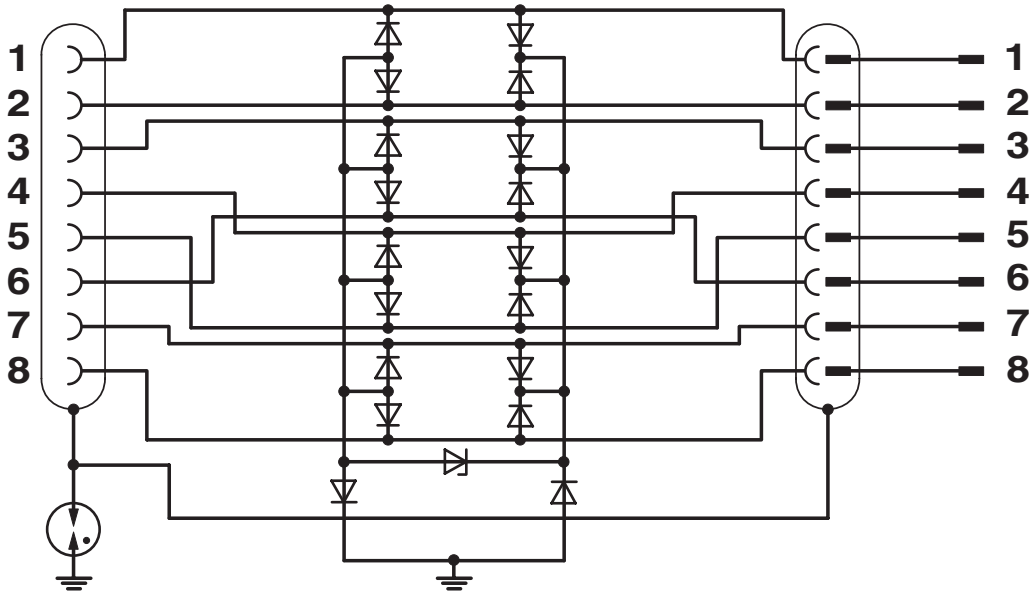
D-LAN-CAT.5E-U - Surge protection device

2859084

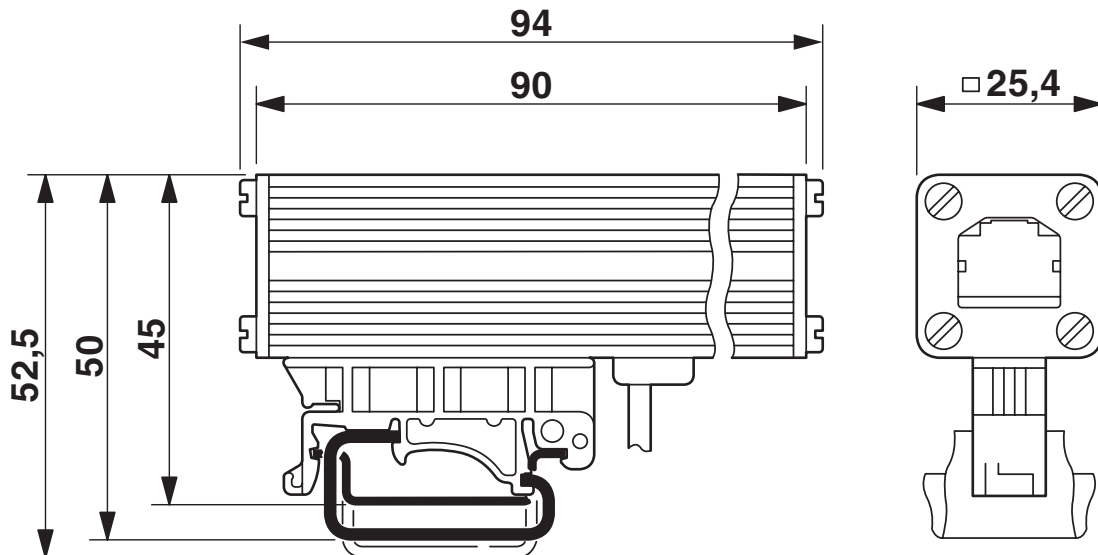
<https://www.phoenixcontact.com/us/products/2859084>

Drawings

Circuit diagram



Dimensional drawing



D-LAN-CAT.5E-U - Surge protection device



2859084

<https://www.phoenixcontact.com/us/products/2859084>

Approvals

🔗 To download certificates, visit the product detail page: <https://www.phoenixcontact.com/us/products/2859084>



EAC

Approval ID: EAC-Zulassung



EAC

Approval ID: RU C-DE.*09.B.00169



UL Listed

Approval ID: FILE E 138168

D-LAN-CAT.5E-U - Surge protection device



2859084

<https://www.phoenixcontact.com/us/products/2859084>

Classifications

ECLASS

ECLASS-11.0	27130807
ECLASS-13.0	27171503

ETIM

ETIM 9.0	EC001466
----------	----------

UNSPSC

UNSPSC 21.0	39121600
-------------	----------

D-LAN-CAT.5E-U - Surge protection device



2859084

<https://www.phoenixcontact.com/us/products/2859084>

Environmental product compliance

REACH SVHC	Lead 7439-92-1
China RoHS	Environmentally Friendly Use Period = 50 years
	For information on hazardous substances, refer to the manufacturer's declaration available under "Downloads"

D-LAN-CAT.5E-U - Surge protection device

2859084

<https://www.phoenixcontact.com/us/products/2859084>



Accessories

FL CAT6 PATCH 0,5 - Patch cable

2891288

<https://www.phoenixcontact.com/us/products/2891288>

Patch cable, CAT6, preassembled, 0.5 m



FL CAT6 PATCH 1,5 - Patch cable

2891482

<https://www.phoenixcontact.com/us/products/2891482>

Patch cable, CAT6, preassembled, 1.5 m



Phoenix Contact 2024 © - all rights reserved

<https://www.phoenixcontact.com>

Phoenix Contact USA
586 Fulling Mill Road
Middletown, PA 17057, United States
(+717) 944-1300
info@phoenixcon.com