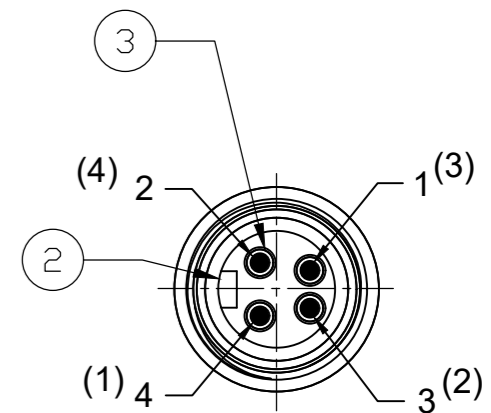
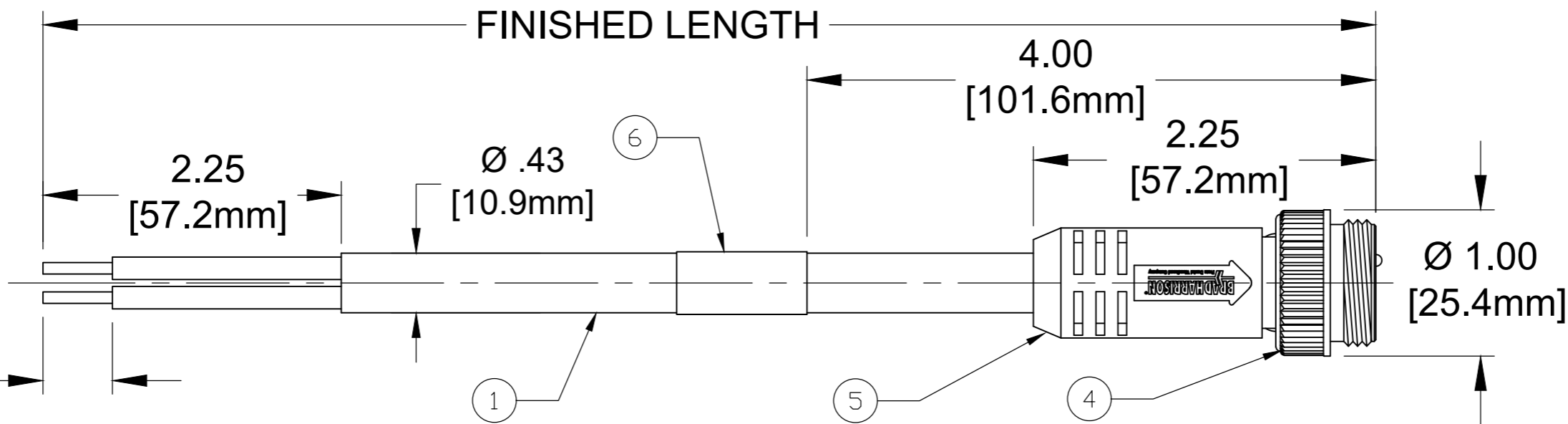


MATERIAL NUMBER	OLD PART NUMBER	FINISHED LENGTH
1300062436	104006K12M030	3M
1300062437	104006K12M040	4M
1300062184	104006K12M020	2M
1300061155	104006K12M003	.3M
1300062183	104006K12M050	5M
1300062376	104006K12M100	10M



MALE FACE VIEW

104006K12XXXX

16AWG-4
YELLOW TPE

LENGTH
M003 - .3 METER
M010 - 1 METER
M020 - 2 METERS
M100 - 10 METERS

CENELEC EN 50 044 PINOUT SHOWN
(SAE-J-1738A SHOWN IN PARENTHESIS)

BLACK	4 (1)
BLUE	3 (2)
BROWN	1 (3)
WHITE	2 (4)

- NOTES:
- MATERIAL: AS NOTED
 - FINISH: AS NOTED
 - ELECTRICAL:
VOLTAGE: 483V PER IEC 60664
600V PER UL 2238
CURRENT: 10A
 - TEMP RATING: -20°C TO +90°C
 - PROTECTION: IP67 (WHEN MATED)
 - COUPLING THREADS: 7/8-16
 - UL CERTIFICATION: FILE NO. E152210
 - CSA CERTIFICATION: FILE NO. LR6837
 - ALL DIMS ARE FOR REFERENCE UNLESS NOTED OTHERWISE

MECHANICAL CHARACTERISTICS:

TORSIONAL FLEX TEST	20 MILLION CYCLES PER MIL-C-13777G
BEND FLEX TEST	20 MILLION CYCLES PER MIL-C-13777G
WELD SLAG RESISTANCE	WOODHEAD STANDARD S-300

CABLE LENGTH TOLERANCES

<.3M [1FT]: +19mm-0 [+1.75in-0]
.3 - .9M [1 - 3FT]: +44.5mm-0 [+1.75in-0]
.9 - 1.8M [3 - 6FT]: +55.6mm-0 [+2.19in-0]
1.8 - 3.7M [6 - 12FT]: +88.9mm-0 [+3.50in-0]
3.7 - 7.3M [12 - 24FT]: +165.1mm-0 [+6.50in-0]
7.3-14.6M [24 - 48FT]: +317.5mm-0 [+12.50in-0]
14.6 - 30.5M [48-100FT]: +622.3mm-0 [+24.50in-0]
OVER 30M [100FT] +2% OF FINISHED LENGTH

ITEM	DESCRIPTION	MATERIAL	FINISH
6	WRAP LABEL	VINYL	BLACK/YELLOW
5	OVERMOLD	TPE	YELLOW
4	COUPLING	ZINC DIE-CAST	BLACK
3	CONTACT PIN	COPPER ALLOY	GOLD PLATED
2	MALE INSERT (A-SIZE)	TPE	YELLOW
1	CABLE, 16/4 (HI-FLEX)	TPE JACKET	YELLOW

FUNCTIONAL SYMBOLS	THIS DRAWING CONTAINS INFORMATION THAT IS PROPRIETARY TO MOLEX ELECTRONIC TECHNOLOGIES, LLC AND SHOULD NOT BE USED WITHOUT WRITTEN PERMISSION		CURRENT REV DESC: UPDATED AMPERAGE AND TEMPLATE				
	DIMENSION UNITS	SCALE					
DIVISIONAL SYMBOLS	INCH/MM	NTS	EC NO: 646474		mini-change 4 POLE MALE STR #16-4 TPE CABLE YELLOW		
	GENERAL TOLERANCES (UNLESS SPECIFIED)		DRWN: ALEON01 2020/10/14				
4 PLACES ±--- ±---		CHK'D: CCHRSTKA 2020/10/19		PRODUCT CUSTOMER DRAWING			
3 PLACES ±--- ±---		APPR: BWOODMAN 2020/10/21					
2 PLACES ±--- ±---		INITIAL REVISION:		DOCUMENT NUMBER: SD-130006-073 DOC TYPE: PSD DOC PART: 001 REVISION: C			
1 PLACE ±--- ±---		DRWN: GGUSTAFS 2016/03/08					
0 PLACES ±--- ±---		APPR: BWOODMAN 2016/03/29		MATERIAL NUMBER: SEE CHART CUSTOMER: GENERAL MARKET SHEET NUMBER: 1 OF 1			
ANGULAR TOL ± --- °		DRAFT WHERE APPLICABLE MUST REMAIN WITHIN DIMENSIONS					
THIRD ANGLE PROJECTION		DRAWING: B-SIZE		SERIES: 130006			

Mouser Electronics

Authorized Distributor

Click to View Pricing, Inventory, Delivery & Lifecycle Information:

[Molex:](#)

[1300062376](#)