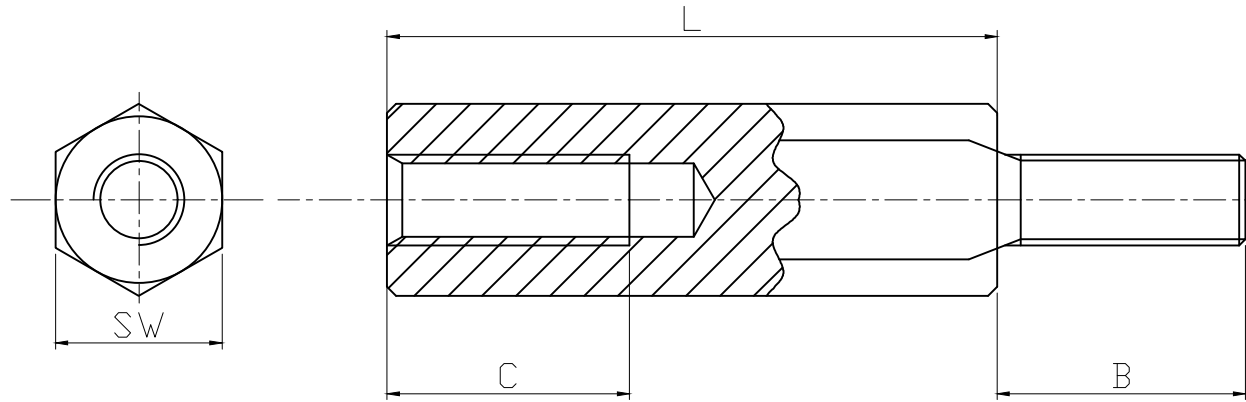



RoHS compliant



Width across flat(SW)5.5
Thread M3
nickel plated

Option	Dimensions		
	L	B	C min
A	5	8	2.5
B	8	8	5
C	10	8	6
D	12	8	8
E	15	8	8
F	18	8	8
G	20	8	8
H	25	8	8
K	30	8	8
L	35	8	8
M	40	8	8

Scale	1:1					Date	Name	Customer-No.
TOLERANCE						Drawn	20.08.2009	Dean
X.	±X					Approved	10.03.2010	Andy
X.X	±X							
X.XX	±X							
DIM	TOL	②	Modify drawing layout	10.03.2010	Dean			
X.°	±X°	①	Drawn	20.08.2009	Dean			
X.X°	±X°	①	Drawn	20.08.2009	Dean			
Angle	TOL	Id.	Modification	Date	Name	Replace		Sheet

ASSMANN WSW-No.		V6621x
Drawing-No.		
ASS 0912 HS	rev02	
Replace		Sheet

