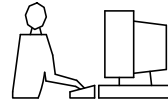


THIS IS A C.A.D. GENERATED DRAWING
DO NOT MAKE MANUAL REVISIONS TO MASTER.

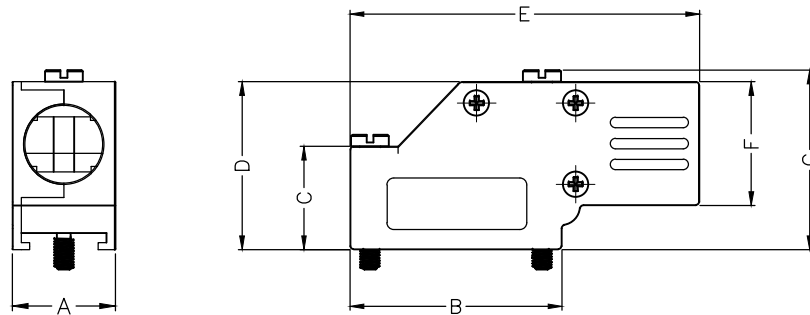
BACKSHELL KIT INCLUDES:

- (2) BACKSHELL HALVES
- (3) HOUSING SCREWS
- (1) 4-40 LONG THUMBSCREWS
- (1) 4-40 SHORT THUMBSCREWS
- (1) SET OF COMPRESSION INSERTS-VARIOUS SIZES

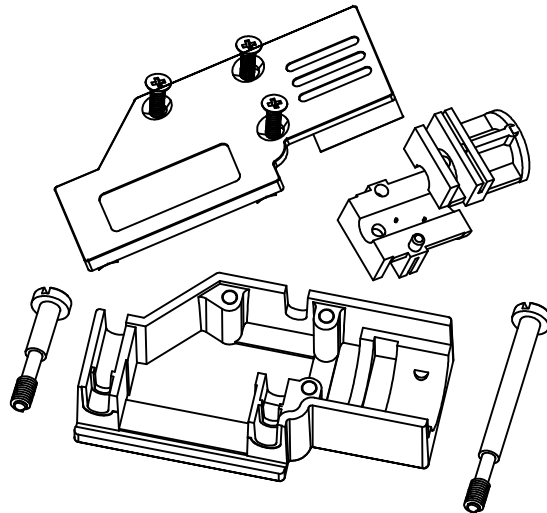
DIAMETERS 4mm(.157"), 5mm(.167"), 7mm(.276"), 9mm(.354")



* UNLESS OTHERWISE SPECIFIED TOLERANCES
ON DECIMAL IS: ANGLE $\pm 1^\circ$
UNIT: MM .XX ± 0.35



DIMENSIONS(mm/in)							
SIZE	A ± 1.20 ± 0.047	B ± 1.20 ± 0.047	C ± 0.80 ± 0.031	D ± 0.80 ± 0.031	E ± 0.80 ± 0.031	F ± 0.80 ± 0.031	G ± 0.80 ± 0.031
9	15.0	30.8	15.0	24.4	50.8	18.0	26.2
	0.59	1.21	0.59	0.96	2.0	0.71	1.03
25	15.8	53.3	23.1	34.5	72.4	24.3	36.6
	0.62	2.10	0.91	1.36	2.85	0.96	1.44



ORDERING INFORMATION:

SIZE	P/N - KITTED	PRODUCT CODE
9-WAY	6560-0501-01	MHDCMR-09-RA-K
25-WAY	6560-0501-03	MHDCMR-25-RA-K

SIZE	P/N - KITTED	PRODUCT CODE
9-WAY	6561-0501-01	MHDCMR-09-RA
25-WAY	6561-0501-03	MHDCMR-25-RA

BACKSHELL: MATERIAL:
PLATING:
4-40 THUMBSCREWS:
HOUSING SCREWS:
COMPRESSION INSERT:
OPERATING TEMP:

DIE CAST ZINC ALLOY
NICKEL PLATED
STEEL-Zn PLATED
STEEL-Zn PLATED
ABS,UL RECOGNIZED
-40°C TO+120°C



THIS SERIES FULLY CONFORMS TO THE
EUROPEAN UNION DIRECTIVES 2002/95/EC
AND 2002/96/EC FOR RoHS COMPLIANCY.



THESE DRAWINGS AND SPECIFICATIONS ARE THE
PROPERTY OF MH CONNECTORS LTD. AND SHALL NOT
BE REPRODUCED, COPIED OR USED AS THE BASIS FOR
THE MANUFACTURE OR SALE OF APPARATUS WITHOUT
WRITTEN PERMISSION.

DRAWN
JOHNNY
DATE
02-24-13

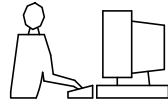
APPROVED
DAMIEN
DATE
03-10-14

SCALE
1:1
SHEET OF
1 OF 1
REV:
3.0

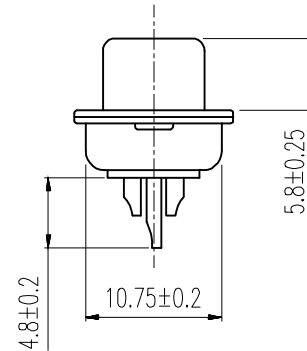
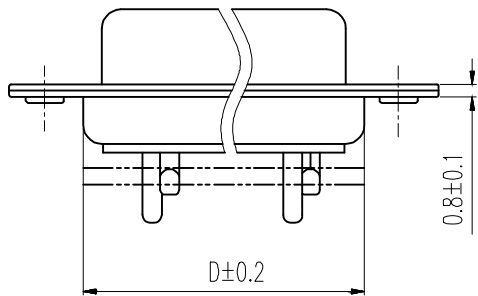
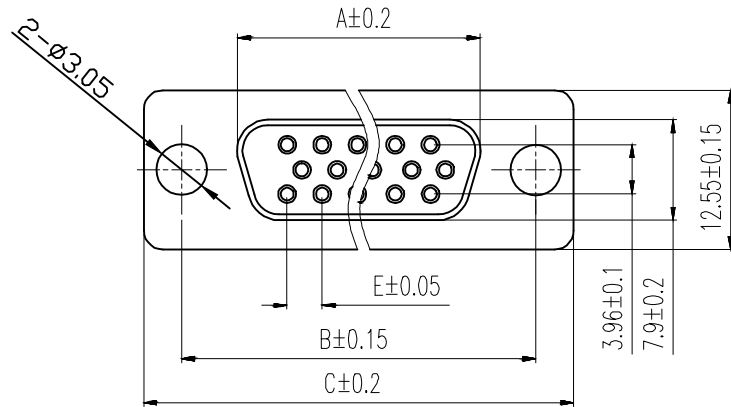
DRAWING No
MHDCMR-XX-RA-K

MH CONNECTORS LTD.

THIS IS A C.A.D. GENERATED DRAWING
DO NOT MAKE MANUAL REVISIONS TO MASTER.



* UNLESS OTHERWISE SPECIFIED TOLERANCES
ON DECIMAL IS: ANGLE $\pm 1^\circ$
.X ± 0.20
.XX ± 0.15
.XXX ± 0.05



Order Codes:

Socket Connector

Stamped & Formed

15-WAY	MHHDS-15-F-N-B-S
26-WAY	MHHDS-26-F-N-B-S
44-WAY	MHHDS-44-F-N-B-S
62-WAY	MHHDS-62-F-N-B-S

POS.	A	B	C	D	E
15	16.33	24.99	30.80	19.28	2.29
26	24.85	33.32	39.10	27.75	2.29
44	38.38	47.04	53.00	41.30	2.29
62	54.86	63.50	69.30	57.40	2.41

Remark:

1.MATERIAL:

Plastic:PBT+30% G.F (UL94V-0) BLACK

Spcc shell:Spcc front shell is nickel plated back shell is nickel plated

THESE DRAWINGS AND SPECIFICATIONS ARE THE PROPERTY OF MH CONNECTORS AND SHALL NOT BE REPRODUCED, COPIED OR USED AS THE BASIS FOR THE MANUFACTURE OR SALE OF APPARATUS WITHOUT WRITTEN PERMISSION.

DRAWN IVEN Ou	DATE 08-18-22
------------------	------------------

APPROVED	DATE
----------	------

SCALE 1 : 1	SHEET OF 1 OF 1	REV: 2.0
----------------	--------------------	-------------

DRAWING No MHHDS-XX-F-N-B-S



THIS SERIES FULLY CONFORMS TO THE EUROPEAN UNION DIRECTIVES 2002/95/EC AND 2002/96/EC FOR RoHS COMPLIANCY.



MH CONNECTORS,
DIVISION OF EDAC