

PT 4-F-ST - Surge protection plug



2858441

<https://www.phoenixcontact.com/us/products/2858441>

Please be informed that the data shown in this PDF document is generated from our online catalog. Please find the complete data in the user documentation. Our general terms of use for downloads are valid.



Surge protection plug for the base element, coarse protection for four signal lines grounded on one side.

Your advantages

- Easy testing and documentation with CHECKMASTER 2 with pluggable protective modules
- Maximum ease of maintenance, thanks to the 2-piece design
- Easy selection for all possible demands in MCR applications with a complete product portfolio
- The signal is not influenced during maintenance work, thanks to the impedance-neutral insertion and removal of protective plugs

Commercial data

Item number	2858441
Packing unit	10 pc
Minimum order quantity	10 pc
Sales key	CL21
Product key	CL2111
Catalog page	Page 139 (C-4-2019)
GTIN	4017918892364
Weight per piece (including packing)	22.29 g
Weight per piece (excluding packing)	19.22 g
Customs tariff number	85363010
Country of origin	DE

PT 4-F-ST - Surge protection plug

2858441

<https://www.phoenixcontact.com/us/products/2858441>

Technical data

Product properties

IEC test classification	C1
	C2
	C3
	D1
Type	Male
Product type	Surge protection for MCR technology
Product family	PLUGTRAB PT
Arrester can be tested with CHECKMASTER from software version:	From SW rev. 1.10
Wire pairs per module	2

Insulation characteristics

Overvoltage category	III
Pollution degree	2

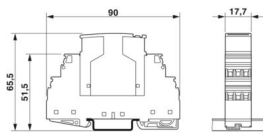
Electrical properties

Nominal voltage U_N	110 V AC
-----------------------	----------

Connection data

Connection method	Screw connection (in connection with the base element)
Screw thread	M3
Tightening torque	0.5 Nm
Conductor cross section flexible	0.2 mm ² ... 2.5 mm ²
Conductor cross section rigid	0.2 mm ² ... 4 mm ²
Conductor cross section AWG	24 ... 12

Dimensions

Dimensional drawing	
Width	17.7 mm
Height	45 mm
Depth	52 mm
Horizontal pitch	1 Div.
Complete module width	17.7 mm
Complete module height	90 mm
Complete module depth	65.5 mm

Material specifications

PT 4-F-ST - Surge protection plug



2858441

<https://www.phoenixcontact.com/us/products/2858441>

Color	black (RAL 9005)
Flammability rating according to UL 94	V-0
Housing material	PA 6.6

Mechanical properties

Mechanical data

Open side panel	No
-----------------	----

Protective circuit

Direction of action	Line-Line & Line-Signal Ground/Shield & Signal Ground/Shield-Earth Ground
Maximum continuous voltage U_C	60 V DC
	120 V AC
Rated current	2 A AC (80 °C)
	150 mA DC (80 °C)
Operating effective current I_C at U_C	$\leq 2 \mu\text{A}$
Residual current I_{PE}	$\leq 8 \mu\text{A}$ (with PT 4-BE)
	$\leq 2 \mu\text{A}$ (with PT 4+F-BE)
Nominal discharge current I_n (8/20) μs (line-line)	10 kA
Nominal discharge current I_n (8/20) μs (line-ground)	10 kA
Pulse discharge current I_{imp} (10/350) μs (line-earth)	2.5 kA
Total discharge current I_{total} (8/20) μs	20 kA
Output voltage limitation at 1 kV/ μs (line-earth) spike	$\leq 450 \text{ V}$ (with PT 4-BE)
	$\leq 600 \text{ V}$ (with PT 4+F-BE)
Output voltage limitation at 1 kV/ μs (line-earth) static	$\leq 25 \text{ V}$ (with PT 4-BE)
	$\leq 50 \text{ V}$ (with PT 4+F-BE)
Voltage protection level U_p (line-earth)	$\leq 550 \text{ V}$ (C1 - 1 kV / 500 A with PT 4-BE)
	$\leq 950 \text{ V}$ (C1 - 1 kV / 500 A with PT 4+F-BE)
	$\leq 600 \text{ V}$ (C2 - 10 kV / 5 kA with PT 4-BE)
	$\leq 1350 \text{ V}$ (C2 - 10 kV / 5 kA with PT 4+F-BE)
Voltage protection level U_p static (line-earth)	$\leq 50 \text{ V}$ (C1 - 1 kV / 500 A with PT 4-BE)
	$\leq 100 \text{ V}$ (C1 - 1 kV / 500 A with PT 4+F-BE)
	$\leq 50 \text{ V}$ (C2 - 10 kV / 5 kA with PT 4-BE)
	$\leq 100 \text{ V}$ (C2 - 10 kV / 5 kA with PT 4+F-BE)
Response time t_A (line-line)	$\leq 100 \text{ ns}$
Response time t_A (line-earth)	$\leq 100 \text{ ns}$
Input attenuation aE, asym.	typ. 0.1 dB ($\leq 1 \text{ MHz} / 50 \Omega$)
Cut-off frequency f_g (3 dB), asym. (signal ground) in 50 Ω system	typ. 100 MHz
Capacity (Core-Earth)	typ. 2 pF (with PT 4-BE)
	typ. 2 pF (with PT 4+F-BE)
Resistance per path	0 Ω
Surge protection fault message	none
Max. required back-up fuse	2 A AC (T)
	150 mA DC (T)

PT 4-F-ST - Surge protection plug



2858441

<https://www.phoenixcontact.com/us/products/2858441>

Impulse durability (line-earth)	C2 - 10 kV / 5 kA
	C1 - 1 kV / 500 A
	C3 - 100 A
	D1 - 2.5 kA

Environmental and real-life conditions

Ambient conditions

Degree of protection	IP20
Ambient temperature (operation)	-40 °C ... 85 °C
Ambient temperature (storage/transport)	-40 °C ... 85 °C
Altitude	≤ 2000 m (amsl)

Standards and regulations

Standards/specifications	IEC 61643-21
Note	2000 + corrigendum 2001 + A1:2008, modified + A2:2012
Standards/specifications	EN 61643-21
Note	2001 + A1:2009 + A2:2013

Mounting

Mounting type	on base element
---------------	-----------------

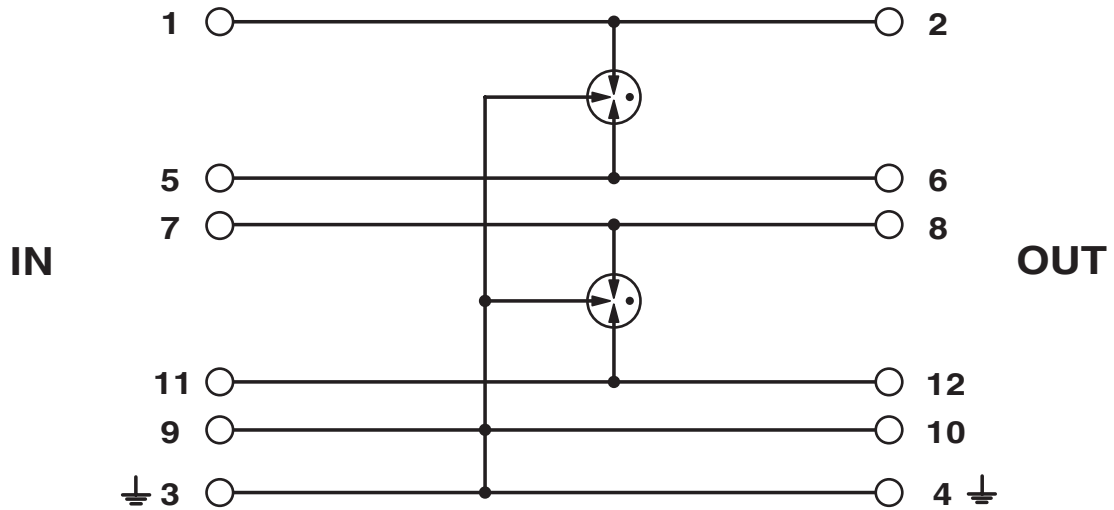
PT 4-F-ST - Surge protection plug

2858441

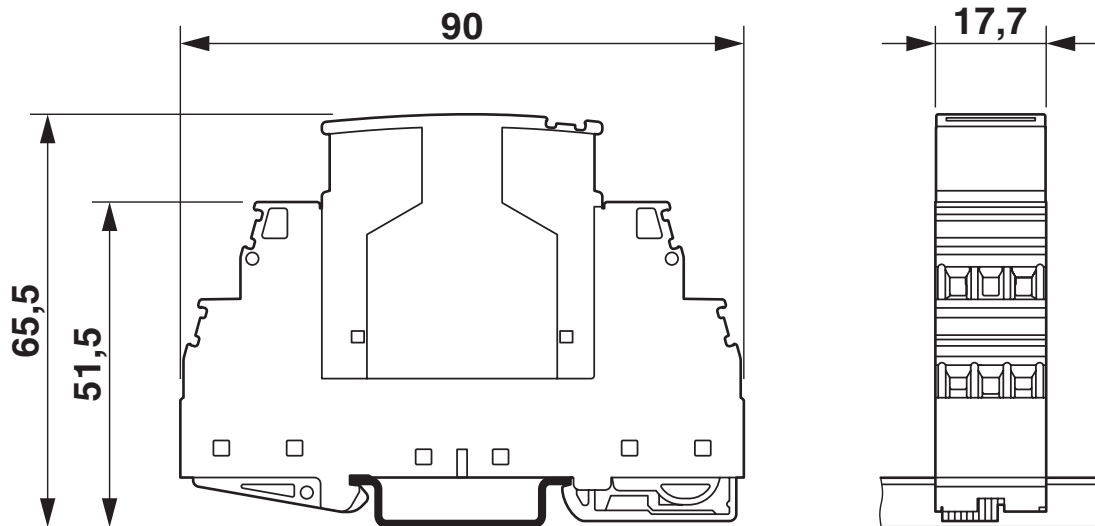
<https://www.phoenixcontact.com/us/products/2858441>

Drawings

Circuit diagram



Dimensional drawing



The figure shows the complete module consisting of a base element and connector

PT 4-F-ST - Surge protection plug



2858441

<https://www.phoenixcontact.com/us/products/2858441>

Approvals

🔗 To download certificates, visit the product detail page: <https://www.phoenixcontact.com/us/products/2858441>



EAC

Approval ID: EAC-Zulassung



EAC

Approval ID: RU C-DE.*09.B.00169

PT 4-F-ST - Surge protection plug



2858441

<https://www.phoenixcontact.com/us/products/2858441>

Classifications

ECLASS

ECLASS-11.0	27130807
ECLASS-13.0	27171501

ETIM

ETIM 9.0	EC001625
----------	----------

UNSPSC

UNSPSC 21.0	39121600
-------------	----------

PT 4-F-ST - Surge protection plug



2858441

<https://www.phoenixcontact.com/us/products/2858441>

Environmental product compliance

China RoHS	Environmentally friendly use period: unlimited = EFUP-e
	No hazardous substances above threshold values

PT 4-F-ST - Surge protection plug

2858441

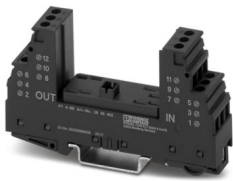
<https://www.phoenixcontact.com/us/products/2858441>

Mandatory accessories

PT 4-BE - Surge protection base-element

2839402

<https://www.phoenixcontact.com/us/products/2839402>



Base element for protective plug PT with protective circuit for a 4-wire floating signal circuit, bridge between the connections 3-4 (GND) and 9-10, for mounting on NS 35/7.5 and NS 35/15, housing width: 17.5 mm

Accessories

ZBF 5:UNBEDRUCKT - Zack Marker strip, flat

0808642

<https://www.phoenixcontact.com/us/products/0808642>



Zack Marker strip, flat, Strip, white, unlabeled, can be labeled with: PLOTMARK, CMS-P1-PLOTTER, mounting type: snapped, for terminal block width: 5 mm, lettering field size: 5.1 x 5.2 mm, Number of individual labels: 10

PT 4-F-ST - Surge protection plug

2858441

<https://www.phoenixcontact.com/us/products/2858441>



ZBF 5/WH-100:UNBEDRUCKT - Zack Marker strip, flat

0808668

<https://www.phoenixcontact.com/us/products/0808668>



Zack Marker strip, flat, Strip, white, unlabeled, can be labeled with: CMS-P1-PLOTTER, PLOTMARK, mounting type: snapped, for terminal block width: 5 mm, lettering field size: 5.15 x 5.15 mm, Number of individual labels: 1000

ZBF 5,LGS:FORTL.ZAHLEN - Zack Marker strip, flat

0808671

<https://www.phoenixcontact.com/us/products/0808671>



Zack Marker strip, flat, Strip, white, labeled, printed horizontally: consecutive numbers 1 ... 10, 11 ... 20, etc. up to 491 ... 500, mounting type: snapped, for terminal block width: 5 mm, lettering field size: 5.15 x 5.15 mm, Number of individual labels: 10

PT 4-F-ST - Surge protection plug

2858441

<https://www.phoenixcontact.com/us/products/2858441>



ZBF 5,LGS:GERADE ZAHLEN - Zack Marker strip, flat

0810821

<https://www.phoenixcontact.com/us/products/0810821>



Zack Marker strip, flat, Strip, white, labeled, printed horizontally: consecutive even numbers 2 ... 20, 22 ... 40, etc. up to 82 ... 100, mounting type: snapped, for terminal block width: 5 mm, lettering field size: 5.15 x 5.15 mm, Number of individual labels: 10

ZBF 5,LGS:UNGERADE ZAHLEN - Zack Marker strip, flat

0810863

<https://www.phoenixcontact.com/us/products/0810863>



Zack Marker strip, flat, Strip, white, labeled, printed horizontally: Odd numbers 1 - 19, 21 - 39, etc. up to 81 - 99, mounting type: snapped, for terminal block width: 5 mm, lettering field size: 5.15 x 5.15 mm, Number of individual labels: 10

PT 4-F-ST - Surge protection plug

2858441

<https://www.phoenixcontact.com/us/products/2858441>



ZBF 5,QR:FORTL.ZAHLEN - Zack Marker strip, flat

0808697

<https://www.phoenixcontact.com/us/products/0808697>



Zack Marker strip, flat, Strip, white, labeled, Printed vertically: consecutive numbers 1 ... 10, 11 ... 20, etc. up to 91 ... 100, mounting type: snapped, for terminal block width: 5 mm, lettering field size: 5.15 x 5.15 mm, Number of individual labels: 10

ZBN 18:UNBEDRUCKT - Zack marker strip

2809128

<https://www.phoenixcontact.com/us/products/2809128>



Zack marker strip, Strip, white, unlabeled, can be labeled with: CMS-P1-PLOTTER, PLOTMARK, mounting type: snapped, for terminal block width: 18 mm, lettering field size: 18 x 5 mm, Number of individual labels: 5

PT 4-F-ST - Surge protection plug

2858441

<https://www.phoenixcontact.com/us/products/2858441>



ZBN 18 CUS - Zack marker strip

0825059

<https://www.phoenixcontact.com/us/products/0825059>



Zack marker strip, can be ordered: Strip, white, labeled according to customer specifications, mounting type: snap into tall marker groove, for terminal block width: 18 mm, lettering field size: 18 x 5 mm, Number of individual labels: 5

SSA 3-6 - Shield connection

2839295

<https://www.phoenixcontact.com/us/products/2839295>



Shield fast connection for 3 ... 6 mm cable diameter. Potential connecting cable: 200 mm, 1 mm², color: black

PT 4-F-ST - Surge protection plug

2858441

<https://www.phoenixcontact.com/us/products/2858441>



SSA 5-10 - Shield connection

2839512

<https://www.phoenixcontact.com/us/products/2839512>



Shield fast connection for 5 ... 10 mm cable diameter. Potential connecting cable: 200 mm, 1 mm², color: black

X-PEN 0,35 - Marker pen

0811228

<https://www.phoenixcontact.com/us/products/0811228>



Marker pen without ink cartridge, for manual labeling of markers, labeling extremely wipe-proof, line thickness 0.35 mm

PT 4-F-ST - Surge protection plug

2858441

<https://www.phoenixcontact.com/us/products/2858441>



SZS 0,6X3,5 VDE - Screwdriver

1212602

<https://www.phoenixcontact.com/us/products/1212602>



Screwdriver, slot-headed, VDE insulated, size: 0.6 x 3.5 x 100 mm, 2-component grip, with non-slip grip

Phoenix Contact 2024 © - all rights reserved

<https://www.phoenixcontact.com>

Phoenix Contact USA
586 Fulling Mill Road
Middletown, PA 17057, United States
(+717) 944-1300
info@phoenixcon.com