

# CN-LAMBDA/4-5.9-BB - Surge protection device



2838490

<https://www.phoenixcontact.com/us/products/2838490>

Please be informed that the data shown in this PDF document is generated from our online catalog. Please find the complete data in the user documentation. Our general terms of use for downloads are valid.



Attachment plug with Lambda/4 technology as surge protection for coaxial signal interfaces.  
Connection: N connectors socket-socket

## Your advantages

- Easy installation with system-compliant connection
- Use under extreme ambient conditions with robust design
- Service-friendly with maintenance-free protective circuit
- Exceptional protective properties with Lambda/4 technology

## Commercial data

Item number	2838490
Packing unit	1 pc
Sales key	CL26
Product key	CL3312
Catalog page	Page 179 (C-4-2017)
GTIN	4046356285629
Weight per piece (including packing)	180.1 g
Weight per piece (excluding packing)	140.19 g
Customs tariff number	85363010
Country of origin	US

# CN-LAMBDA/4-5.9-BB - Surge protection device



2838490

<https://www.phoenixcontact.com/us/products/2838490>

## Technical data

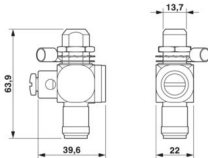
### Product properties

IEC test classification	C2
	C3
	D1
VDE requirement class	C2
	C3
	D1
Type	Attachment plug
Product type	Surge protection for transceiver systems
Number of positions	1
Surge protection fault message	none

### Connection data

Connection method	N connector 50 Ω
-------------------	------------------

### Dimensions

Dimensional drawing	
Width	26.1 mm
Height	38 mm
Depth	60 mm

### Material specifications

Color	Nickel
	Copper
Seal material	Silicon
Housing surface material	Nickel
Housing material	Brass (CuZn)
Inner conductor material	BeCu
Inner conductor surface material	Gold
Insulation body material	PTFE

### Mechanical properties

#### Mechanical data

Open side panel	No
-----------------	----

### Protective circuit

Direction of action	Line-Shield/Earth Ground
---------------------	--------------------------

# CN-LAMBDA/4-5.9-BB - Surge protection device



2838490

<https://www.phoenixcontact.com/us/products/2838490>

Rated current	5 A (25 °C)
Nominal discharge current $I_n$ (8/20) $\mu$ s (line-ground)	50 kA
Nominal discharge current $I_n$ (8/20) $\mu$ s (line-shield)	50 kA
Pulse discharge current $I_{imp}$ (10/350) $\mu$ s	20 kA
Pulse discharge current $I_{imp}$ (10/350) $\mu$ s (line-earth)	20 kA
Max. discharge current $I_{max}$ (8/20) $\mu$ s maximum (line-earth)	60 kA
Max. discharge current $I_{max}$ (8/20) $\mu$ s maximum (line-shield)	60 kA
Impulse discharge current (10/350) $\mu$ s, peak value $I_{imp}$	20 kA
Voltage protection level $U_p$ (line-earth)	$\leq 11$ V (6 kV / 3 kA)
Voltage protection level $U_p$ (line-shield)	$\leq 11$ V (6 kV / 3 kA)
Input attenuation aE, asym.	typ. 0.15 dB ( $\leq 0.25$ dB)
Frequency range	2.4 GHz ... 7.6 GHz
Voltage standing wave ratio VSWR in a 50 $\Omega$ system	typ. 1.10 ( $\leq 1.20$ (2.4 GHz...5.9 GHz)) $\leq 1.20$ (2.4 GHz ... 7.6 GHz)
Permissible HF power $P_{max}$ at VSWR = xx (50 ohm system)	$\leq 500$ W $\leq 4$ kW (peak)
Surge protection fault message	none
Impulse durability (line-earth)	C2 - 10 kV / 5 kA D1 - 2.5 kA
Impulse durability (line-shield)	C2 - 10 kV/5 kA D1 - 2.5 kA

## Environmental and real-life conditions

### Ambient conditions

Degree of protection	IP68
Ambient temperature (operation)	-40 °C ... 90 °C

## Approvals

### Conformity/Approvals

FCC	Part 15, Part 90
-----	------------------

## Standards and regulations

VDE requirement class	C2 C3 D1
Standards/specifications	IEC 61643-21
Note	2005

## Mounting

Mounting type	Connection-specific intermediate plugging
Assembly instructions	Outdoors and indoors

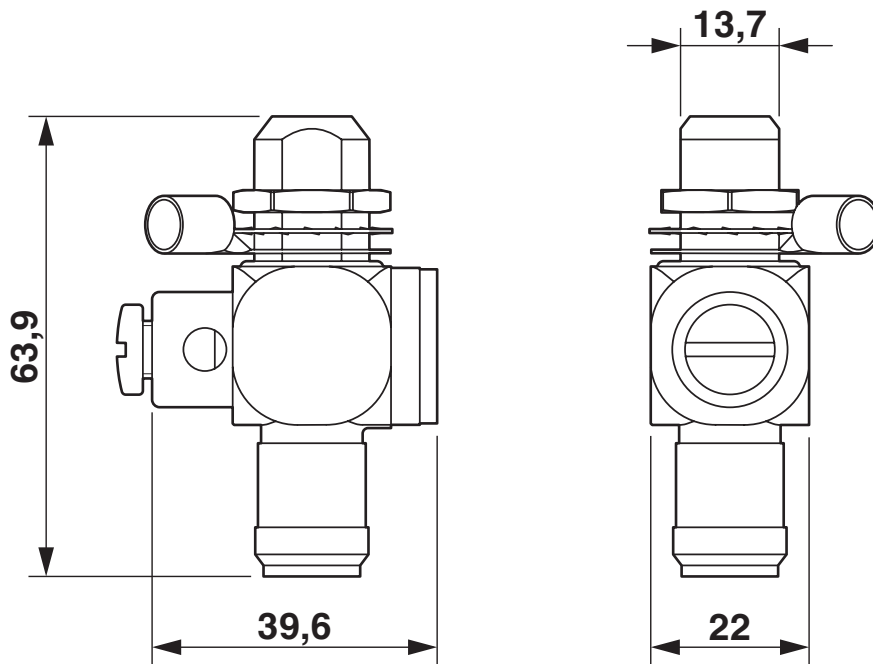
# CN-LAMBDA/4-5.9-BB - Surge protection device

2838490

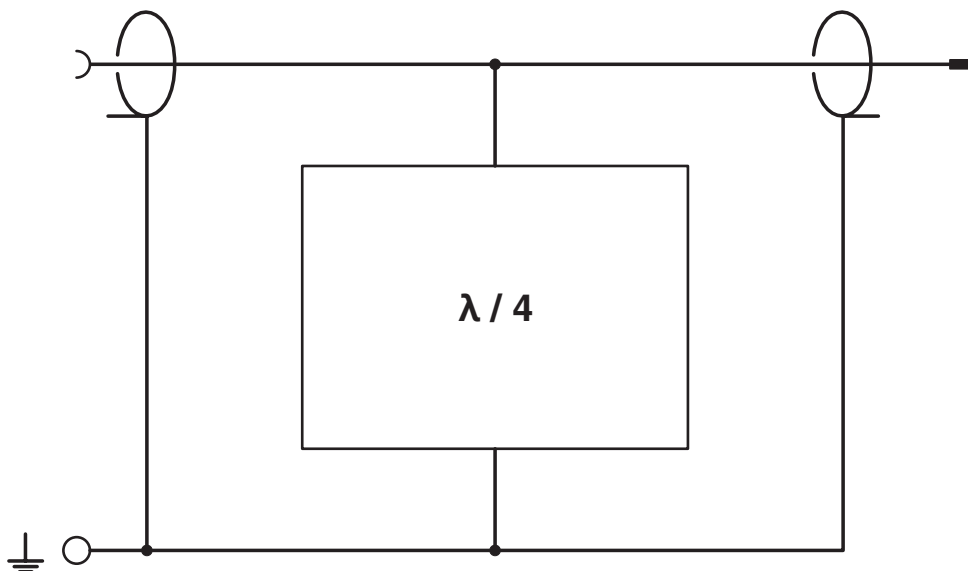
<https://www.phoenixcontact.com/us/products/2838490>

## Drawings

Dimensional drawing



Circuit diagram



# CN-LAMBDA/4-5.9-BB - Surge protection device



2838490

<https://www.phoenixcontact.com/us/products/2838490>

## Approvals

To download certificates, visit the product detail page: <https://www.phoenixcontact.com/us/products/2838490>



**EAC**

Approval ID: EAC-Zulassung



**EAC**

Approval ID: RU C-DE.\*09.B.00169

# CN-LAMBDA/4-5.9-BB - Surge protection device



2838490

<https://www.phoenixcontact.com/us/products/2838490>

## Classifications

### ECLASS

ECLASS-11.0	27130807
ECLASS-13.0	27171504

### ETIM

ETIM 9.0	EC000943
----------	----------

### UNSPSC

UNSPSC 21.0	39121600
-------------	----------

# CN-LAMBDA/4-5.9-BB - Surge protection device



2838490

<https://www.phoenixcontact.com/us/products/2838490>

## Environmental product compliance

China RoHS	Environmentally friendly use period: unlimited = EFUP-e
	No hazardous substances above threshold values

# CN-LAMBDA/4-5.9-BB - Surge protection device



2838490

<https://www.phoenixcontact.com/us/products/2838490>

## Accessories

### CN-UB/MP - Mounting panel

2818135

<https://www.phoenixcontact.com/us/products/2818135>

Tongue for attaching the CN-UB..., to housing panels, for example.



---

### CN-UB/MP-90DEG-50 - Mounting panel

2803137

<https://www.phoenixcontact.com/us/products/2803137>

Angled bracket for individually fixing CN-UB... to housing panels, for example.





# CN-LAMBDA/4-5.9-BB - Surge protection device

2838490

<https://www.phoenixcontact.com/us/products/2838490>



## CN-UB/MP - Mounting panel

2818135

<https://www.phoenixcontact.com/us/products/2818135>

Tongue for attaching the CN-UB..., to housing panels, for example.



---

Phoenix Contact 2024 © - all rights reserved

<https://www.phoenixcontact.com>

Phoenix Contact USA  
586 Fulling Mill Road  
Middletown, PA 17057, United States  
(+717) 944-1300  
[info@phoenixcon.com](mailto:info@phoenixcon.com)