

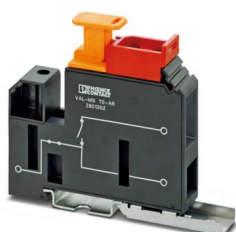
# VAL-MS TE-AR - Surge protection base-element



2801302

<https://www.phoenixcontact.com/us/products/2801302>

Please be informed that the data shown in this PDF document is generated from our online catalog. Please find the complete data in the user documentation. Our general terms of use for downloads are valid.



Terminal element for isolation of field wires. Provides separate field and house termination, tool-free isolation disconnect and test point. Design: 1-channel, bridgeable.

## Your advantages

- Tagout-ready, automatic locking disconnect
- Separate field and house wire termination
- Tool-free field wire disconnect and test point
- IP20 touch safe when connected
- Tested for railway applications

## Commercial data

Item number	2801302
Packing unit	10 pc
Minimum order quantity	10 pc
Note	Made to order (non-returnable)
Sales key	CL18
Product key	CL1151
GTIN	4046356895613
Weight per piece (including packing)	222.222 g
Weight per piece (excluding packing)	222.222 g
Customs tariff number	85363010
Country of origin	US

# VAL-MS TE-AR - Surge protection base-element



2801302

<https://www.phoenixcontact.com/us/products/2801302>

## Technical data

### Product properties

Type	Termination block with disconnect and test point
Product type	Base element
Product family	VALVETRAB MS
Number of positions	1

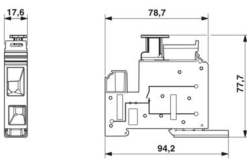
### Electrical properties

Nominal voltage $U_N$	500 V AC
Nominal current $I_N$	76 A

### Connection data

Connection method	Screw terminal block
Tightening torque	3 Nm ... 4.5 Nm (Ground)
	1.5 Nm ... 1.8 Nm (House)
	2.5 Nm ... 3 Nm (Field)
Conductor cross section flexible	0.5 mm <sup>2</sup> ... 15 mm <sup>2</sup> (10 mm strip length)
	1.5 mm <sup>2</sup> ... 25 mm <sup>2</sup> (14 mm strip length)
Conductor cross section rigid	0.5 mm <sup>2</sup> ... 15 mm <sup>2</sup> (10 mm strip length)
	1.5 mm <sup>2</sup> ... 25 mm <sup>2</sup> (14 mm strip length)
Conductor cross section AWG	20 ... 6 (10 mm strip length)
	12 ... 4 (14 mm strip length)

### Dimensions

Dimensional drawing	
Width	17.7 mm
Height	94 mm
Depth	78 mm

### Material specifications

Color	black (RAL 9005)
	black (RAL 9005)
Flammability rating according to UL 94	V0
Housing material	PA

### Mechanical properties

#### Mechanical data

Open side panel	No
-----------------	----

# VAL-MS TE-AR - Surge protection base-element



2801302

<https://www.phoenixcontact.com/us/products/2801302>

## Environmental and real-life conditions

### Ambient conditions

Degree of protection	IP20
Ambient temperature (operation)	-40 °C ... 80 °C
Altitude	max. 3000 m

## Mounting

Mounting type	DIN rail mounting with additional retaining screw
---------------	---

# VAL-MS TE-AR - Surge protection base-element

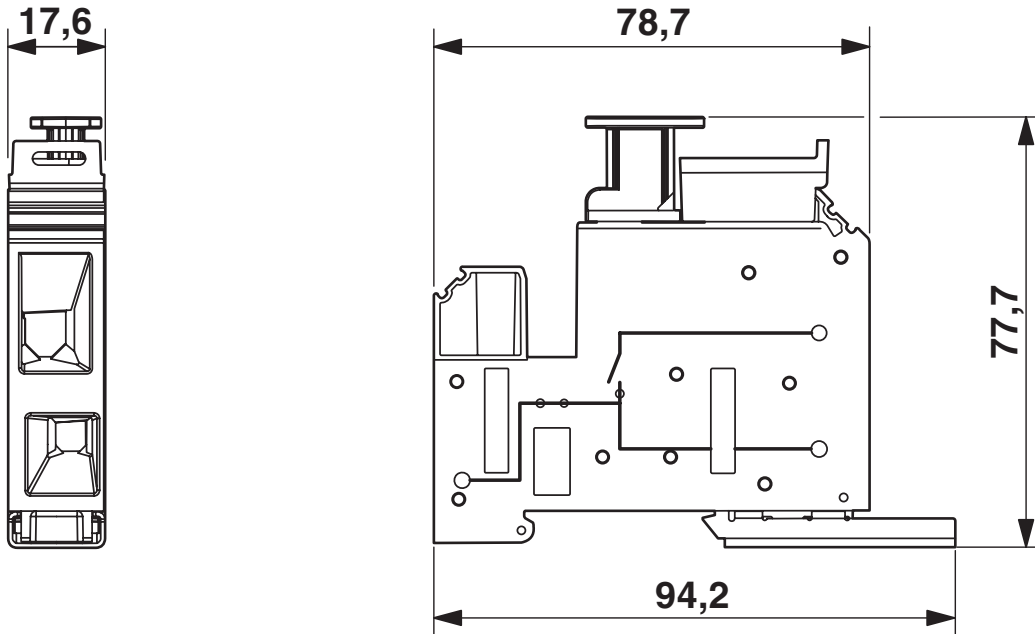


2801302

<https://www.phoenixcontact.com/us/products/2801302>

## Drawings

Dimensional drawing



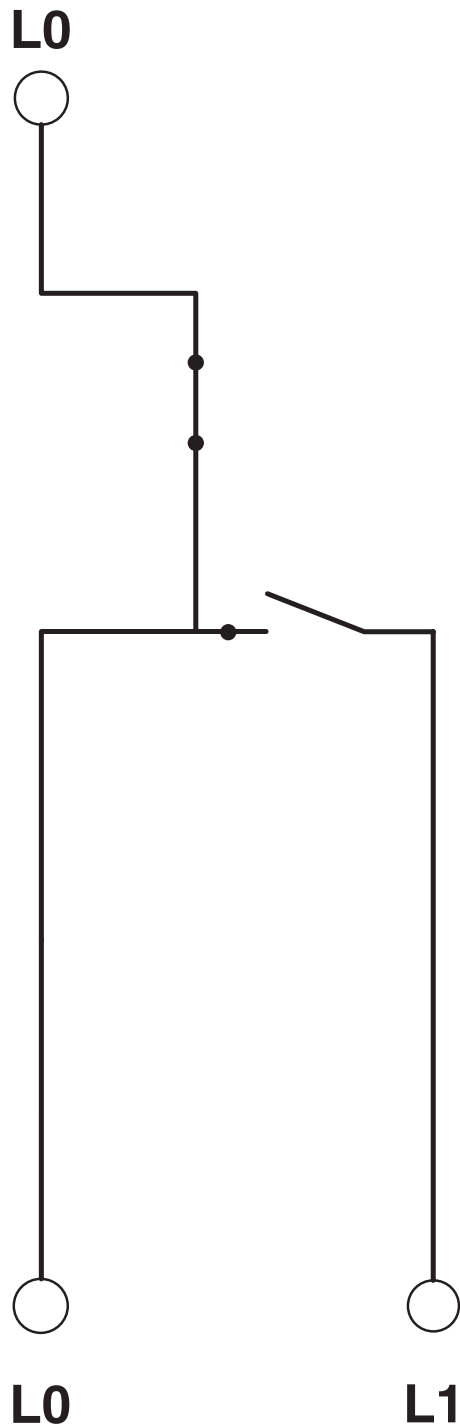
# VAL-MS TE-AR - Surge protection base-element

2801302

<https://www.phoenixcontact.com/us/products/2801302>



Connection diagram



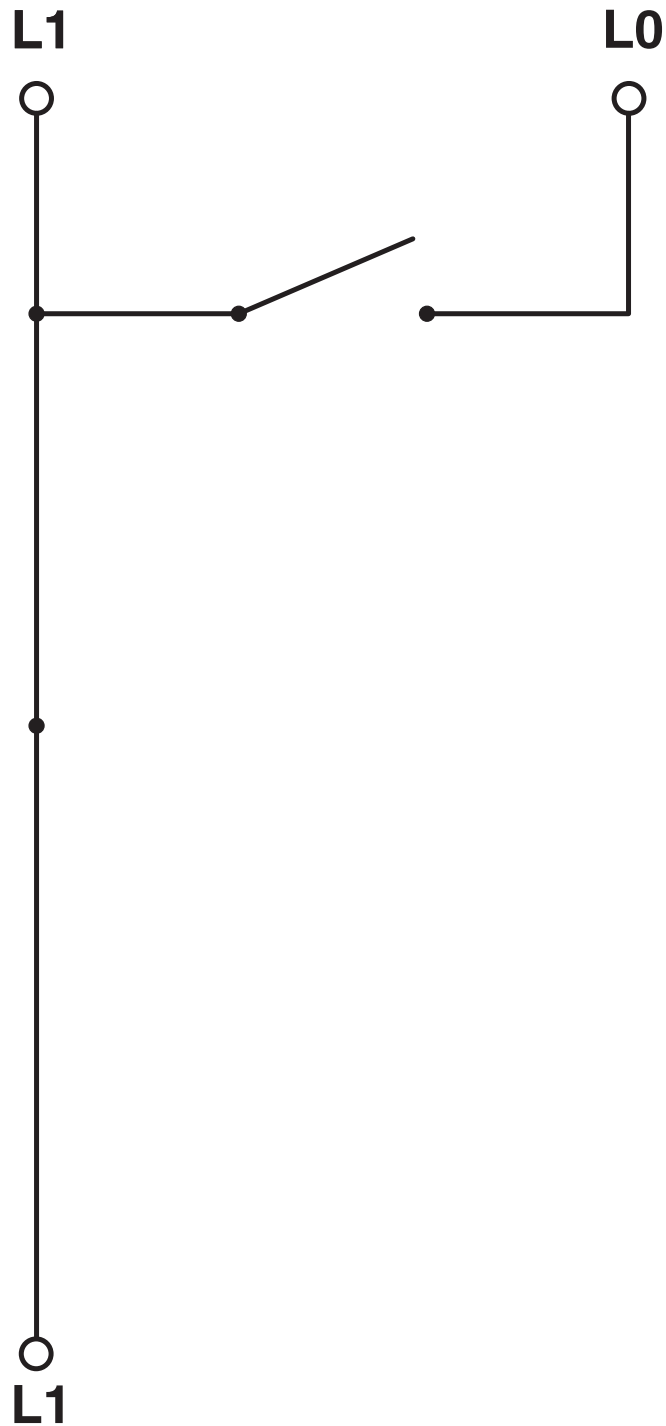
# VAL-MS TE-AR - Surge protection base-element

2801302

<https://www.phoenixcontact.com/us/products/2801302>



Circuit diagram



# VAL-MS TE-AR - Surge protection base-element



2801302

<https://www.phoenixcontact.com/us/products/2801302>

## Classifications

### ECLASS

ECLASS-11.0	27130803
ECLASS-13.0	27171292

### ETIM

ETIM 8.0	EC000472
----------	----------

### UNSPSC

UNSPSC 21.0	39121620
-------------	----------

# VAL-MS TE-AR - Surge protection base-element



2801302

<https://www.phoenixcontact.com/us/products/2801302>

## Environmental product compliance

REACH SVHC	Lead 7439-92-1
China RoHS	Environmentally Friendly Use Period = 50 years
	For information on hazardous substances, refer to the manufacturer's declaration available under "Downloads"



# VAL-MS TE-AR - Surge protection base-element



2801302

<https://www.phoenixcontact.com/us/products/2801302>

## Accessories

**i** Note: Applying some accessories below might limit this product.

### FBS 2-18 - Plug-in bridge

2801068

<https://www.phoenixcontact.com/us/products/2801068>



Plug-in bridge for cross-connections in the VAL-MS BE-AR terminal center, 2-pos., color: Red

**i** Max. current carrying capacity: 76 A

---

### EB 56-18 - Insertion bridge

3009299

<https://www.phoenixcontact.com/us/products/3009299>



Insertion bridge, pitch: 18 mm, number of positions: 56, color: gray

# VAL-MS TE-AR - Surge protection base-element



2801302

<https://www.phoenixcontact.com/us/products/2801302>

## TSD-M 6NM - Torque screwdriver

1212226

<https://www.phoenixcontact.com/us/products/1212226>



Torque screw driver, accuracy as per EN ISO 6789 standard, adjustable from 3 - 6 Nm

---

## TSD-M 3NM - Torque screwdriver

1212225

<https://www.phoenixcontact.com/us/products/1212225>



Torque screw driver, accuracy as per EN ISO 6789 standard, adjustable from 1.2 - 3 Nm

# VAL-MS TE-AR - Surge protection base-element

2801302

<https://www.phoenixcontact.com/us/products/2801302>

## SZS 0,8X4,0 VDE - Screwdriver

1212508

<https://www.phoenixcontact.com/us/products/1212508>



Screwdriver, slot-headed, VDE insulated, size: 0.8 x 4.0 x 100 mm, 2-component grip, with non-slip grip

---

## SZS 0,4X2,5 VDE - Screwdriver

1205037

<https://www.phoenixcontact.com/us/products/1205037>



Screwdriver, slot-headed, VDE insulated, size: 0.4 x 2.5 x 80 mm, 2-component grip, with non-slip grip

# VAL-MS TE-AR - Surge protection base-element



2801302

<https://www.phoenixcontact.com/us/products/2801302>

## SF-BIT-SL 1,2X6,5-70 - Screw insert

1212577

<https://www.phoenixcontact.com/us/products/1212577>



Screw bit, bladed, E6.3-1/4" drive, size: 1.2 x 6.5 x 70 mm, hardened, suitable for holder according to DIN 3126-F6.3/ISO 1173

---

## SF-BIT-SL 1,0X4,0-70 - Screw insert

1212754

<https://www.phoenixcontact.com/us/products/1212754>



Screw bit, slotted, E6.3-1/4" drive, size: 1 mm x 4 mm x 70 mm, hardened, suitable for holder according to DIN 3126-F6.3/ISO 1173

---

Phoenix Contact 2024 © - all rights reserved  
<https://www.phoenixcontact.com>

Phoenix Contact USA  
586 Fulling Mill Road  
Middletown, PA 17057, United States  
(+717) 944-1300  
[info@phoenixcon.com](mailto:info@phoenixcon.com)