

PP-RJ-SC - Patch panel



2703016

<https://www.phoenixcontact.com/us/products/2703016>

Please be informed that the data shown in this PDF document is generated from our online catalog. Please find the complete data in the user documentation. Our general terms of use for downloads are valid.



Patch panel, RJ45 jack on screw terminal blocks, 10/100/1000 Mbps, DIN rail adapter, IP20, shield contacting with strain relief

Product description

Ethernet patch panels enable quick and easy connection between the field cabling and control cabinet cabling. The passive termination panels are a convenient alternative to the on-site assembly of RJ45 connectors.

Your advantages

- Extended temperature range of -40 °C ... +75 °C
- Fast connection of the field cable
- Wiring space covered with front panel cover
- Tool-free shield contacting with strain relief
- Shipbuilding approval in accordance with DNV GL
- PoE-capable in accordance with IEEE 802.3bt, type 4

Commercial data

Item number	2703016
Packing unit	10 pc
Minimum order quantity	10 pc
Sales key	DN07
Product key	DNC334
Catalog page	Page 361 (C-6-2019)
GTIN	4055626462875
Weight per piece (including packing)	72.23 g
Weight per piece (excluding packing)	65.23 g
Customs tariff number	85369010
Country of origin	DE

PP-RJ-SC - Patch panel



2703016

<https://www.phoenixcontact.com/us/products/2703016>

Technical data

Notes

Utilization restriction

CCCex note	Use in potentially explosive areas is not permitted in China.
------------	---------------------------------------------------------------

Product properties

Product type	Patch panel
MTTF	105699 Years

Insulation characteristics

Overvoltage category	II
Pollution degree	2

Electrical properties

Maximum power dissipation for nominal condition	0 W (passive module, no supply voltage required)
Rated insulation voltage	85 V DC (In accordance with EN/IEC 60079-7, Annex H)

Interfaces

Data: Ethernet interface, 10/100/1000Base-T(X) in accordance with IEEE 802.3

Serial transmission speed	10/100/1000 Mbps
Frequency range	125 MHz
Connection method	Screw connection
Tightening torque	0.22 Nm ... 0.25 Nm
Pin assignment	1:1
Transmission length	100 m (including patch cables)
Single conductor/terminal point, rigid	0.14 mm ² ... 1.5 mm ²
Single-wire/terminal point, flexible	0.14 mm ² ... 1.5 mm ²
Max. AWG conductor cross section, flexible	16
Min. AWG conductor cross section, flexible	28
Single-wire/terminal point, rigid AWG max.	16
Single-wire/terminal point, rigid AWG min.	28
Stripping length	5 mm
Transmission medium	Copper
Output nominal voltage	< 57 V DC
Maximum output power	60 W
Maximum output current	725 mA (Per channel)

Data: Ethernet interface, 10/100/1000Base-T(X) in accordance with IEEE 802.3

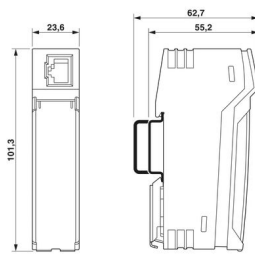
Connection method	RJ45 jack
-------------------	-----------

Dimensions

PP-RJ-SC - Patch panel

2703016

<https://www.phoenixcontact.com/us/products/2703016>

Dimensional drawing	
	
Width	23.8 mm
Height	101.3 mm
Depth	50 mm

Material specifications

Color (Housing)	light grey (RAL 7035)
Material Housing	Plastic
Flammability rating according to UL 94	V0

Cable/line

External cable diameter ()	5.5 mm ... 6.5 mm
-----------------------------	-------------------

Environmental and real-life conditions

Ambient conditions

Degree of protection	IP20 (Manufacturer's declaration)
Ambient temperature (operation)	-40 °C ... 75 °C
Ambient temperature (storage/transport)	-40 °C ... 85 °C
Altitude	≤ 5000 m (For restrictions, see the manufacturer's declaration for altitude operation) ≤ 2000 m (Restrictions for ATEX applications)
Permissible humidity (operation)	10 % ... 95 % (non-condensing)

Approvals

CE

Certificate	CE-compliant
-------------	--------------

ATEX

Identification	⊕ II 3 G Ex ec IIC Gc
Certificate	PxCIF18ATEX2703015U
Note	Please follow the special installation instructions in the documentation!

UKEX

Identification	⊕ II 3 G Ex ec IIC Gc
Certificate	PxCIMA22UKEX2703015U

UL, USA

PP-RJ-SC - Patch panel



2703016

<https://www.phoenixcontact.com/us/products/2703016>

Certificate	UL 60079-0 Ed. 6 / UL 60079-15 Ed. 4
-------------	--------------------------------------

UL, Canada

Certificate	CSA 22.2 No. 60079-0 Ed. 3 / CSA 22.2 No. 60079-15:16
-------------	-------------------------------------------------------

Corrosive gas test

Identification	ISA-S71.04-1985 G3 Harsh Group A
----------------	----------------------------------

Shipbuilding

Identification	DNV GL
----------------	--------

DNV GL data

Temperature	D
Humidity	B
Vibration	B
EMC	B

Mounting

Mounting type	DIN rail mounting, stationary
Assembly instructions	The product can be snapped onto all 35 mm DIN rails in accordance with EN 60715.

PP-RJ-SC - Patch panel

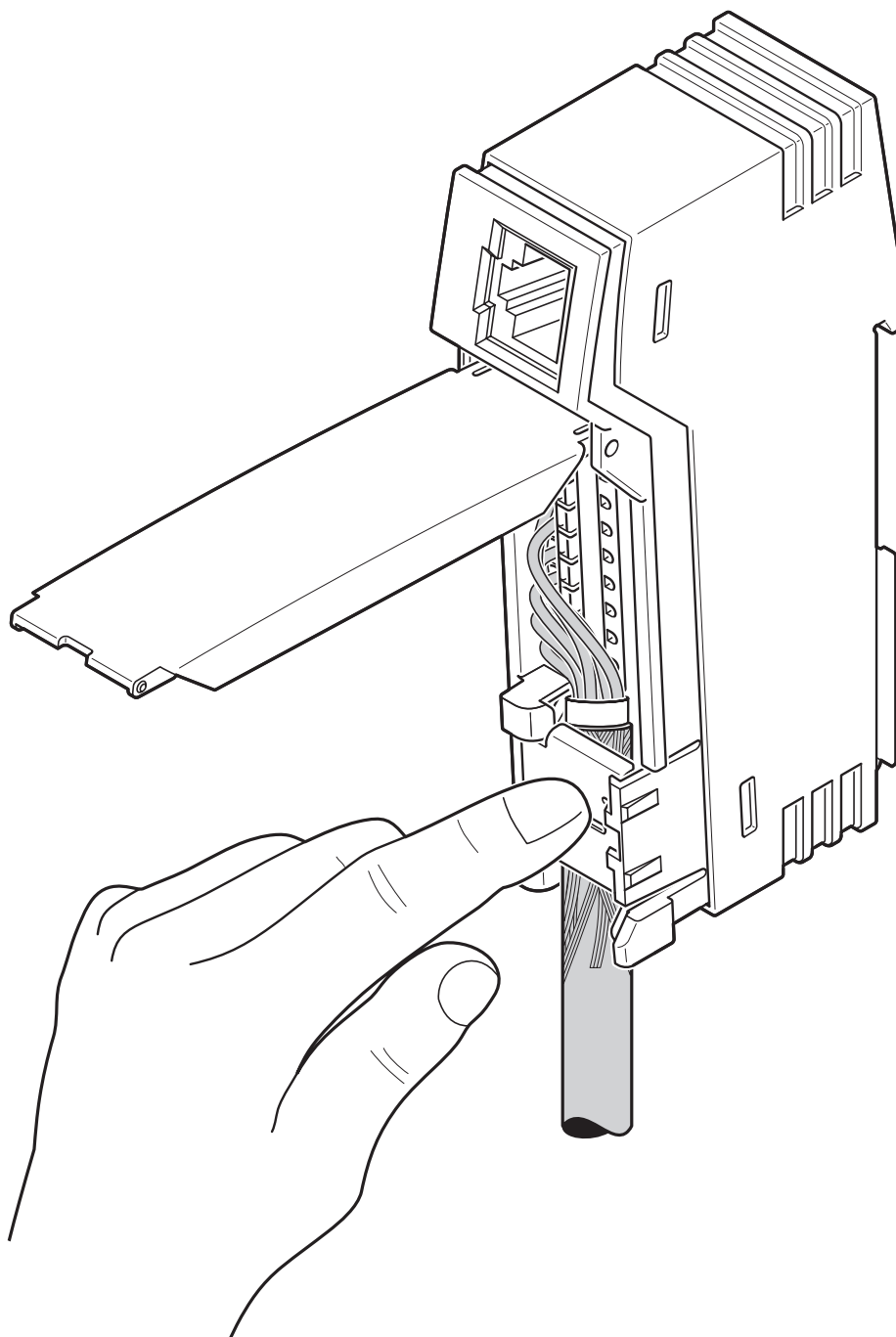
2703016

<https://www.phoenixcontact.com/us/products/2703016>



Drawings

Schematic diagram



Close shield contact spring

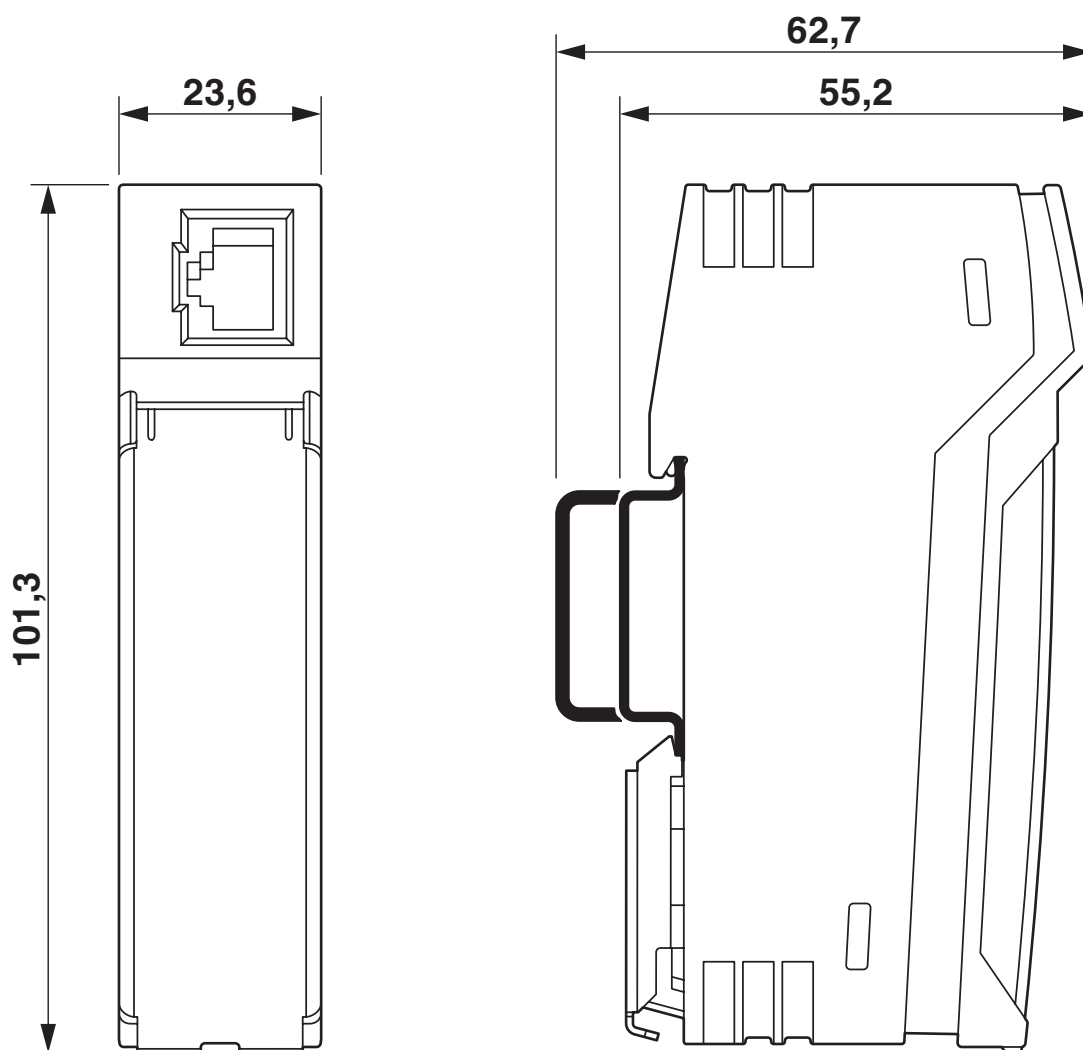
PP-RJ-SC - Patch panel

2703016

<https://www.phoenixcontact.com/us/products/2703016>



Dimensional drawing



Compact housing

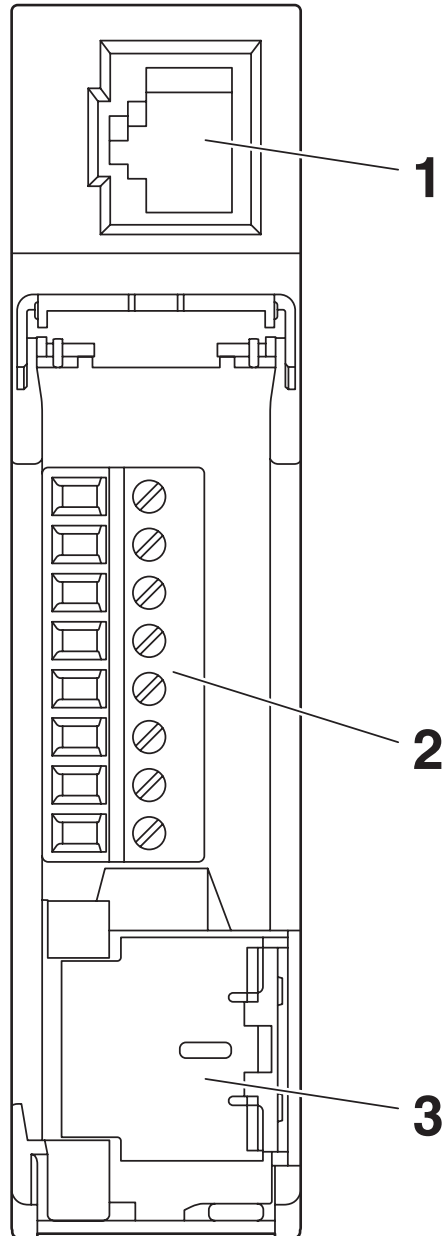
PP-RJ-SC - Patch panel

2703016

<https://www.phoenixcontact.com/us/products/2703016>



Schematic diagram



Front view

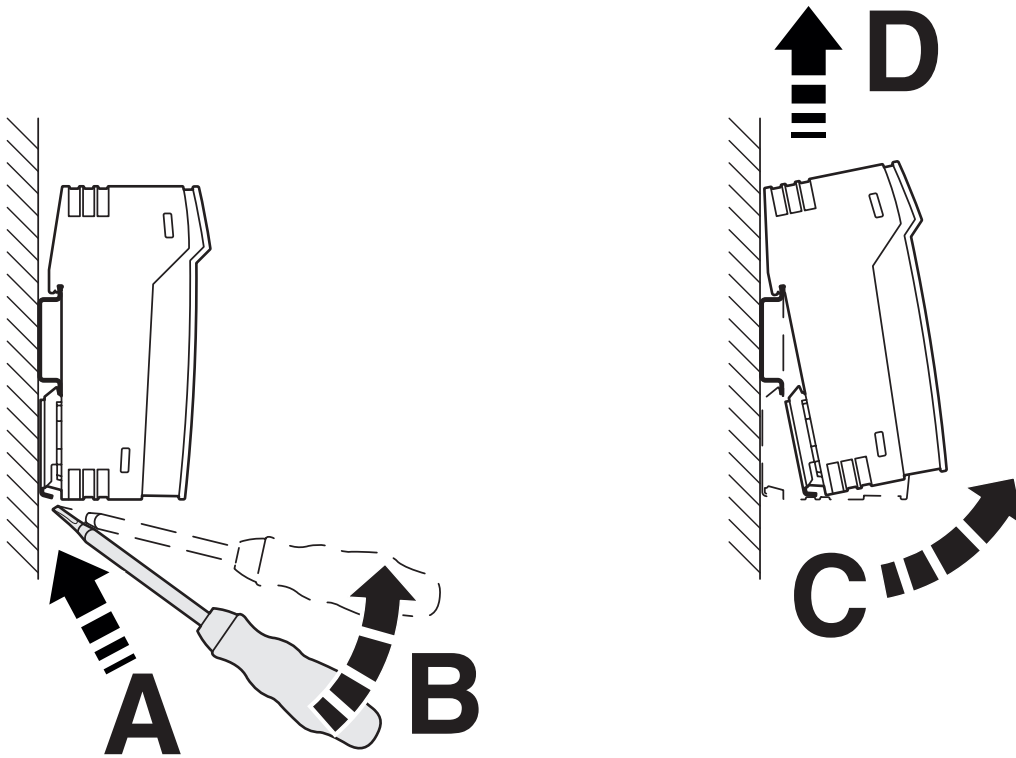
PP-RJ-SC - Patch panel

2703016

<https://www.phoenixcontact.com/us/products/2703016>



Schematic diagram



Removal

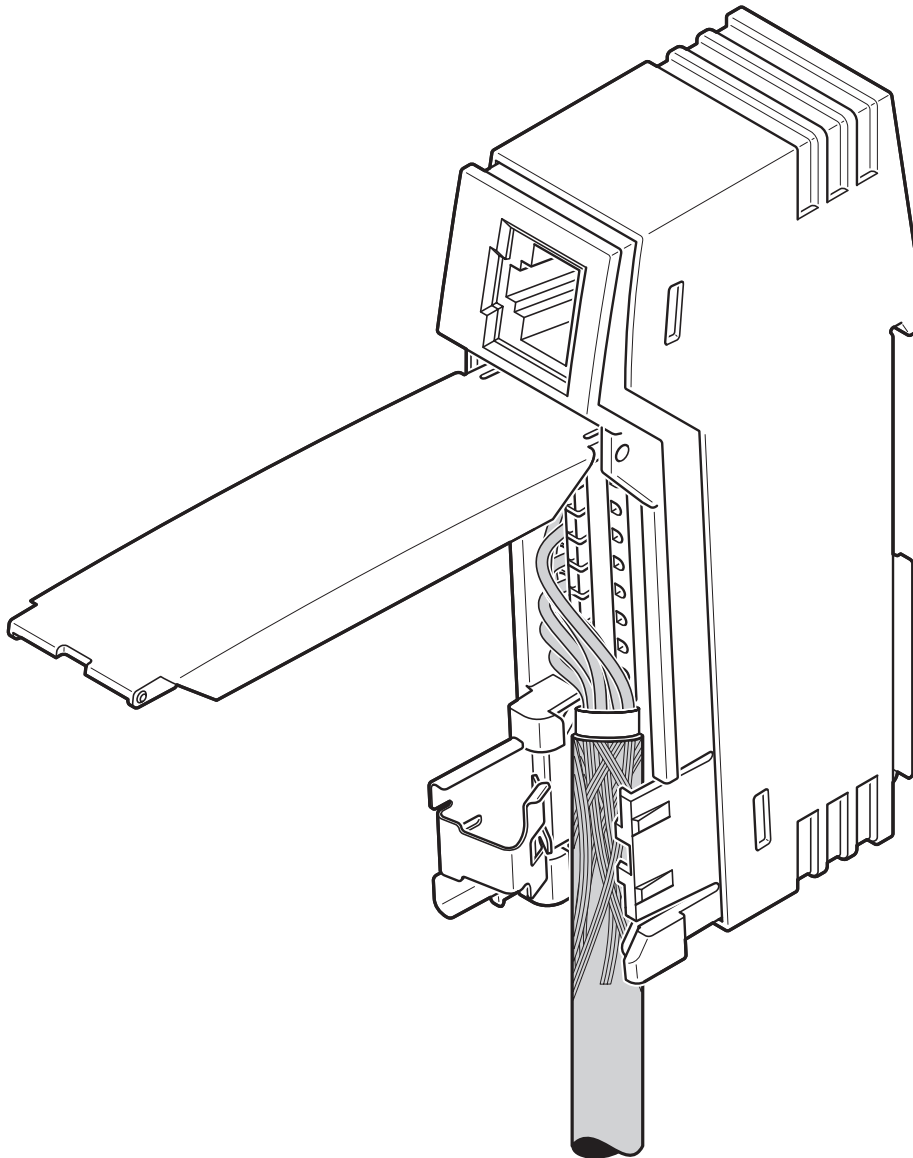
PP-RJ-SC - Patch panel

2703016

<https://www.phoenixcontact.com/us/products/2703016>



Schematic diagram



Inserting the cable

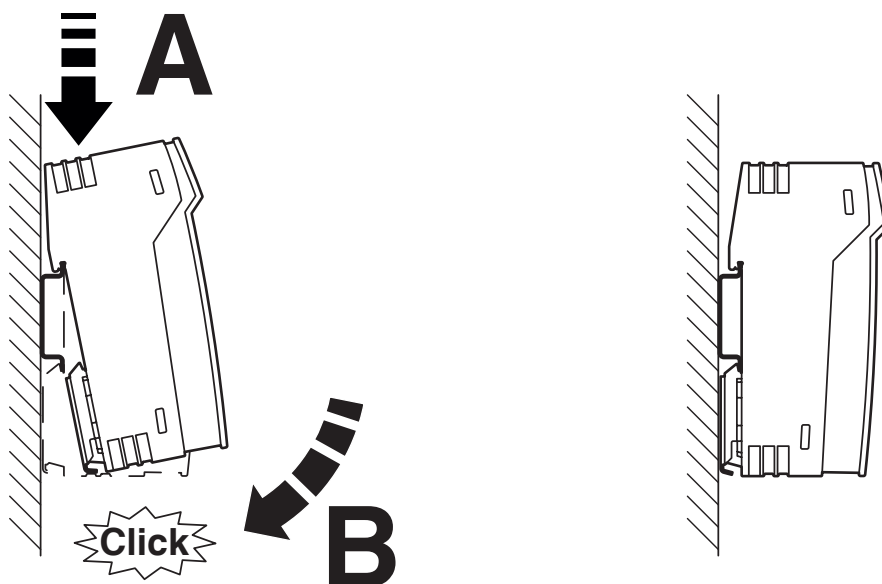
PP-RJ-SC - Patch panel

2703016

<https://www.phoenixcontact.com/us/products/2703016>



Schematic diagram



Mounting on a DIN rail

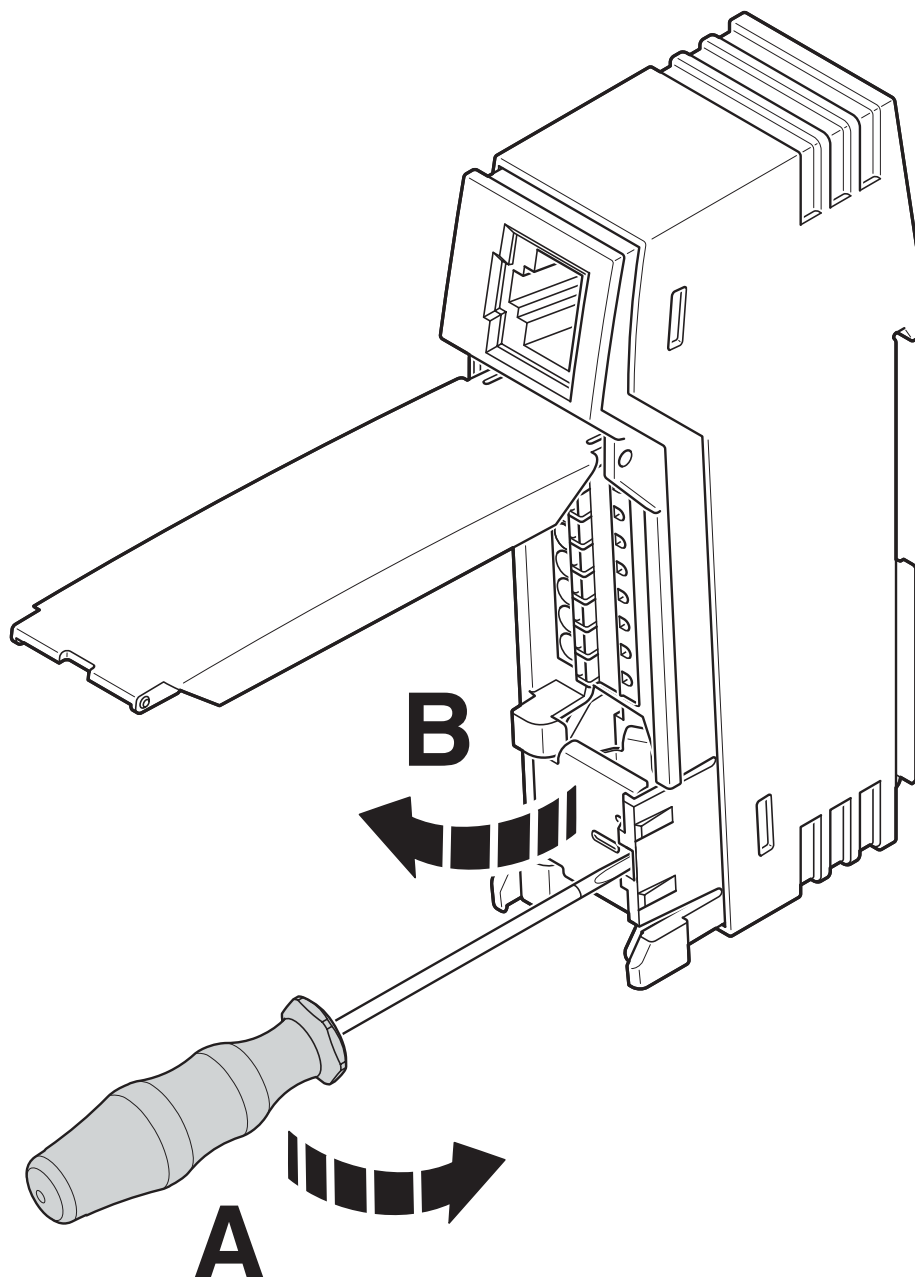
PP-RJ-SC - Patch panel

2703016

<https://www.phoenixcontact.com/us/products/2703016>



Schematic diagram



Open shield contact spring

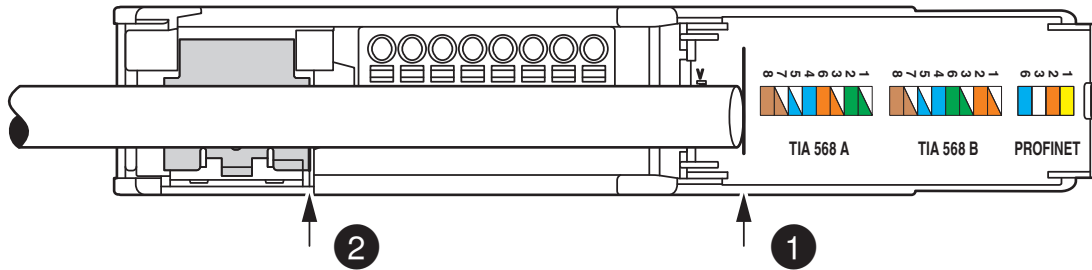
PP-RJ-SC - Patch panel

2703016

<https://www.phoenixcontact.com/us/products/2703016>



Schematic diagram



Stripping length

PP-RJ-SC - Patch panel



2703016

<https://www.phoenixcontact.com/us/products/2703016>

Approvals

To download certificates, visit the product detail page: <https://www.phoenixcontact.com/us/products/2703016>



DNV GL

Approval ID: TAA00001KR



UL Listed

Approval ID: FILE E 238705



cUL Listed

Approval ID: FILE E 238705



cUL Listed

Approval ID: FILE E 366272



UL Listed

Approval ID: FILE E 366272

cULus Listed

cULus Listed

PP-RJ-SC - Patch panel



2703016

<https://www.phoenixcontact.com/us/products/2703016>

Classifications

ECLASS

ECLASS-11.0	19170112
ECLASS-12.0	19170112
ECLASS-13.0	19170112

ETIM

ETIM 9.0	EC002697
----------	----------

UNSPSC

UNSPSC 21.0	43223300
-------------	----------

PP-RJ-SC - Patch panel

2703016

<https://www.phoenixcontact.com/us/products/2703016>



Environmental product compliance

China RoHS	Environmentally Friendly Use Period = 50 years For information on hazardous substances, refer to the manufacturer's declaration available under "Downloads"
------------	----------------------------------------------------------------------------------------------------------------------------------------------------------------

PP-RJ-SC - Patch panel

2703016

<https://www.phoenixcontact.com/us/products/2703016>



Accessories

PP-RJ-RJ-F - Patch panel

2703020

<https://www.phoenixcontact.com/us/products/2703020>



Patch panel, two RJ45 jacks, 10/100/1000 Mbps, DIN rail adapter, IP20, shield current monitoring, surge protection

PP-RJ-SC-F - Patch panel

2703021

<https://www.phoenixcontact.com/us/products/2703021>



Patch panel, RJ45 jack on screw terminal blocks, 10/100/1000 Mbps, DIN rail adapter, IP20, shield contacting with strain relief, shield current monitoring, surge protection

PP-RJ-SC - Patch panel

2703016

<https://www.phoenixcontact.com/us/products/2703016>



PP-RJ-SCC-F - Patch panel

2703022

<https://www.phoenixcontact.com/us/products/2703022>



Patch panel, RJ45 jack on Push-in terminal blocks, 10/100/1000 Mbps, DIN rail adapter, IP20, shield contacting with strain relief, shield current monitoring, surge protection

PP-RJ-IDC-F - Patch panel

2703023

<https://www.phoenixcontact.com/us/products/2703023>



Patch panel, RJ45 jack on IDC terminal blocks, 10/100/1000 Mbps, DIN rail adapter, IP20, shield contacting with strain relief, shield current monitoring, surge protection

PP-RJ-SC - Patch panel

2703016

<https://www.phoenixcontact.com/us/products/2703016>



FL CRIMPTOOL - Assembly tool

2744869

<https://www.phoenixcontact.com/us/products/2744869>

Crimping pliers, for assembling the RJ45 plugs FL PLUG RJ45..., for assembly on site



FL ISOLATOR 100-RJ/RJ - Network isolator

2313931

<https://www.phoenixcontact.com/us/products/2313931>

Passive network isolator for electrical isolation in Ethernet networks. This protects Ethernet devices from potential differences of up to 4 kV. Can be used for transmission speeds of up to 100 Mbps. Possible to connect two RJ45 plugs.



PP-RJ-SC - Patch panel

2703016

<https://www.phoenixcontact.com/us/products/2703016>



FL ISOLATOR 1000-RJ/RJ - Network isolator

2313915

<https://www.phoenixcontact.com/us/products/2313915>



Passive network isolator for electrical isolation in Ethernet networks. This protects Ethernet devices from potential differences of up to 4 kV. Can be used for transmission speeds of up to 1 Gbps. Possible to connect two RJ45 plugs.

FL ISOLATOR 100-M12 - Network isolator

2902985

<https://www.phoenixcontact.com/us/products/2902985>



Passive network isolator for electrical isolation in Ethernet networks. For the protection of Ethernet devices against potential differences of up to 4 kV. Can be used for transmission speeds of up to 100 Mbps. Ethernet connection via two M12 sockets (D-coded).

PP-RJ-SC - Patch panel

2703016

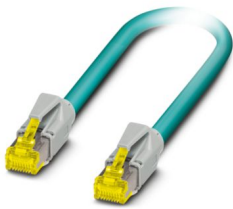
<https://www.phoenixcontact.com/us/products/2703016>



NBC-R4AC-R4AC-IE8A/.../... - Patch cable

1411854

<https://www.phoenixcontact.com/us/products/1411854>

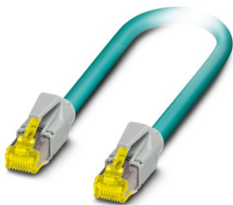


Patch cable, degree of protection: IP20, number of positions: 8, 10 Gbps, CAT6_A, cable outlet: straight, Ethernet

NBC-R4AC/10G-R4AC/10G-94F/2,0 - Patch cable

1408360

<https://www.phoenixcontact.com/us/products/1408360>



Patch cable, CAT6_A, 4-pair, shielded, connection not crossed (line), assembled at both ends with RJ45/IP20 connectors, outer sheath material: PUR, length: 2.0 m

PP-RJ-SC - Patch panel

2703016

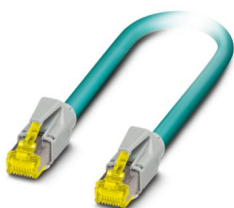
<https://www.phoenixcontact.com/us/products/2703016>



NBC-R4AC/10G-R4AC/10G-94F/3,0 - Patch cable

1408365

<https://www.phoenixcontact.com/us/products/1408365>



Patch cable, CAT6_A, 4-pair, shielded, connection not crossed (line), assembled at both ends with RJ45/IP20 connectors, outer sheath material: PUR, length: 3.0 m

NBC-R4AC/1,0-93B/R4AC - Patch cable

1408968

<https://www.phoenixcontact.com/us/products/1408968>



Patch cable, degree of protection: IP20, cable length: 1 m, number of positions: 4, 100 Mbps, CAT5, material: PA 6.6, PROFINET

PP-RJ-SC - Patch panel

2703016

<https://www.phoenixcontact.com/us/products/2703016>



NBC-R4AC/2,0-93B/R4AC - Patch cable

1408969

<https://www.phoenixcontact.com/us/products/1408969>



Patch cable, degree of protection: IP20, cable length: 2 m, number of positions: 4, 100 Mbps, CAT5, material: PA 6.6, PROFINET

FL CAT5 PATCH 0,3 - Patch cable

2832250

<https://www.phoenixcontact.com/us/products/2832250>



Patch cable, CAT5, assembled, 0.3 m

PP-RJ-SC - Patch panel

2703016

<https://www.phoenixcontact.com/us/products/2703016>



FL CAT5 PATCH 0,5 - Patch cable

2832263

<https://www.phoenixcontact.com/us/products/2832263>

Patch cable, CAT5, assembled, 0.5 m



FL CAT5 PATCH 1,0 - Patch cable

2832276

<https://www.phoenixcontact.com/us/products/2832276>

Patch cable, CAT5, assembled, 1 m



PP-RJ-SC - Patch panel

2703016

<https://www.phoenixcontact.com/us/products/2703016>



FL CAT5 PATCH 1,5 - Patch cable

2832221

<https://www.phoenixcontact.com/us/products/2832221>

Patch cable, CAT5, assembled, 1.5 m



FL CAT5 PATCH 2,0 - Patch cable

2832289

<https://www.phoenixcontact.com/us/products/2832289>

Patch cable, CAT5, assembled, 2 m



PP-RJ-SC - Patch panel

2703016

<https://www.phoenixcontact.com/us/products/2703016>



FL CAT5 PATCH 3,0 - Patch cable

2832292

<https://www.phoenixcontact.com/us/products/2832292>



Patch cable, CAT5, assembled, 3 m

VS-08-RJ45-10G/Q - RJ45 connector

1419001

<https://www.phoenixcontact.com/us/products/1419001>



RJ45 connector, design: RJ45, degree of protection: IP20, number of positions: 8, 10 Gbps, CAT6_A, material: Plastic, connection method: Insulation displacement connection, connection cross section: AWG 26- 24, cable outlet: straight, color: black, Ethernet

PP-RJ-SC - Patch panel

2703016

<https://www.phoenixcontact.com/us/products/2703016>



VS-PN-RJ45-5-Q/IP20 - RJ45 connector

1658435

<https://www.phoenixcontact.com/us/products/1658435>



RJ45 connector, design: RJ45, degree of protection: IP20, number of positions: 4, 100 Mbps, CAT5, material: Plastic, connection method: Insulation displacement connection, cable outlet: straight, color: traffic grey A RAL 7042, PROFINET

VS-CABLE-STRIP-VARIO - Stripping tool

1657407

<https://www.phoenixcontact.com/us/products/1657407>

Stripping tool, for the multi-level stripping of shielded cables



PP-RJ-SC - Patch panel

2703016

<https://www.phoenixcontact.com/us/products/2703016>



VS-08-RJ45-5-Q/IP20 - RJ45 connector

1656725

<https://www.phoenixcontact.com/us/products/1656725>



RJ45 connector, design: RJ45, degree of protection: IP20, number of positions: 8, 1 Gbps, CAT5, material: Plastic, connection method: Insulation displacement connection, connection cross section: AWG 26- 23, cable outlet: straight, color: traffic grey A RAL 7042, Ethernet

VS-08-RJ45-5-Q/IP20 BK - RJ45 connector

1658008

<https://www.phoenixcontact.com/us/products/1658008>



RJ45 connector, design: RJ45, degree of protection: IP20, number of positions: 8, 1 Gbps, CAT5, material: Plastic, connection method: Insulation displacement connection, connection cross section: AWG 26- 23, cable outlet: straight, color: black, Ethernet

PP-RJ-SC - Patch panel

2703016

<https://www.phoenixcontact.com/us/products/2703016>



SZF 0-0,4X2,5 - Screwdriver

1204504

<https://www.phoenixcontact.com/us/products/1204504>



Actuation tool, for ST terminal blocks, also suitable for use as a bladed screwdriver, size: 0.4 x 2.5 x 75 mm, 2-component grip, with non-slip grip

MICROFOX-SP - Diagonal cutter

1212488

<https://www.phoenixcontact.com/us/products/1212488>



Electronic diagonal cutter, tapered head, angled (21°), without chamfer, with opening spring

PP-RJ-SC - Patch panel

2703016

<https://www.phoenixcontact.com/us/products/2703016>



VS-OE-OE-94F/... - Data cable

1417359

<https://www.phoenixcontact.com/us/products/1417359>



Data cable, Ethernet CAT6_A (10 Gbps), 8-position, PUR halogen-free, water blue RAL 5021, shielded (Tinned copper braided shield), free cable end, on free cable end, cable length: Free entry (0.5 ... 400 m)

FL-PP-RJ45-SC - Patch panel

2901643

<https://www.phoenixcontact.com/us/products/2901643>



Patch panel, one RJ45 jack to 8 screw connection terminal blocks (1:1 assignment), CAT5e, 10/100/1000 Mbps, DIN rail adapter, IP20, option of shield contacting to the DIN rail via jumpers

PP-RJ-SC - Patch panel

2703016

<https://www.phoenixcontact.com/us/products/2703016>



FL-PP-RJ45-LSA - Patch panel

2901645

<https://www.phoenixcontact.com/us/products/2901645>



Patch panel, one RJ45 jack to 8 LSA connection terminal blocks (1:1 assignment), CAT5e, 10/100/1000 Mbps, DIN rail adapter, IP20, option of shield contacting to the DIN rail via bridges

FL-PP-RJ45/RJ45 - Patch panel

2901646

<https://www.phoenixcontact.com/us/products/2901646>



Patch panel, two RJ45 jacks (1:1 assignment), CAT5e, 10/100/1000 Mbps, DIN rail adapter, IP20, option of shield contacting to the DIN rail via jumpers

Phoenix Contact 2024 © - all rights reserved
<https://www.phoenixcontact.com>

Phoenix Contact USA
586 Fulling Mill Road
Middletown, PA 17057, United States
(+717) 944-1300
info@phoenixcon.com