

PSR-CT-C-ACT - Safety switch actuator



2702973

<https://www.phoenixcontact.com/us/products/2702973>

Please be informed that the data shown in this PDF document is generated from our online catalog. Please find the complete data in the user documentation. Our general terms of use for downloads are valid.



Proximity safety circuit up to Cat. 4, PL e (EN ISO 13849), SIL 3 (IEC 61508), coded actuator, compatible with all sensor coding types, supplied inductively via the sensor, IP69K

Product description

The PSR-CT safety circuit consists of a combination of a PSR-CT-...-SEN-1-8 sensor with varying coding types and a coded PSR-CT-C-ACT actuator. It provides maximum tamper protection and the highest level of safety in accordance with EN ISO 14119. The PSR-CT safety circuit is available with the following types of coding: **Fixcode**: For the sensor to detect the actuator, the actuator must first be associated with the sensor via a learning process. The learning process can only be completed once. The sensor and actuator are then permanently assigned to each other by their coding. Safety circuits with fixcode evaluation achieve a **high coding level**. **Unicode**: For the sensor to detect the actuator, the actuator must first be assigned to the sensor via a learning process. The learning process for a new actuator can be repeated any number of times. The sensor only detects the last learned actuator. Safety circuits with unicode evaluation achieve a **high coding level**. **Multicode**: The sensor detects every actuator of the approved type. No specific actuator code can be assigned. Safety circuits with multicode evaluation achieve a **low coding level**.

Your advantages

- Integrated reset function on the switch
- 4 actuation settings, 3 travel directions
- Tamper protection via RFID transponder technology
- Rapid diagnostics, thanks to comprehensive status information
- Consistent M12 connection technology for convenient installation
- Safe series connection in accordance with EN ISO 14119
- Flexible use, thanks to compact design
- Safe, cost-effective complete solution

Commercial data

| | |
|--------------------------------------|---------------------|
| Item number | 2702973 |
| Packing unit | 1 pc |
| Minimum order quantity | 1 pc |
| Sales key | DN04 |
| Product key | DNA611 |
| Catalog page | Page 213 (C-6-2019) |
| GTIN | 4055626447001 |
| Weight per piece (including packing) | 40.7 g |
| Weight per piece (excluding packing) | 31.5 g |

PSR-CT-C-ACT - Safety switch actuator



2702973

<https://www.phoenixcontact.com/us/products/2702973>

| | |
|-----------------------|----------|
| Customs tariff number | 85365019 |
| Country of origin | DE |

Technical data

Product properties

| | |
|--------------|------------------------|
| Product type | Safety switches |
| Application | Safety door monitoring |
| | Position monitoring |
| Technology | Transponder |

Electrical properties

| | |
|--------------|-----------------------------|
| Power supply | inductively, via the sensor |
|--------------|-----------------------------|

Switching intervals: Actuation position A, B when traveling in X direction

| | |
|-----------------------------------|---|
| Actuation setting | Actuation position A, B when traveling in X direction |
| Power-on interval | typ. 13 mm |
| Fused switching interval S_{ao} | 10 mm (Position A) |
| | 9 mm (Position B) |
| Fused power off interval S_{ar} | max. 20 mm |
| Switching hysteresis | min. 1 mm |
| | typ. 2 mm |
| Repeat accuracy | $\leq 10 \%$ |

Switching intervals: Actuation position C, D when traveling in X direction

| | |
|-----------------------------------|---|
| Actuation setting | Actuation position C, D when traveling in X direction |
| Power-on interval | typ. 7 mm |
| Fused switching interval S_{ao} | 3 mm (Position C) |
| | 2 mm (Position D) |
| Fused power off interval S_{ar} | max. 17 mm |
| Switching hysteresis | min. 1 mm |
| | typ. 2 mm |
| Repeat accuracy | $\leq 10 \%$ |

Connection data

Connection technology

| | |
|-----------|----|
| pluggable | no |
|-----------|----|

Conductor connection

| | |
|-------------------|---------|
| Connection method | without |
|-------------------|---------|

Dimensions

PSR-CT-C-ACT - Safety switch actuator



2702973

<https://www.phoenixcontact.com/us/products/2702973>

| | |
|---------------------|--|
| Dimensional drawing | |
| Width | 26.5 mm |
| Height | 40 mm |
| Depth | 18 mm |
| Minimum distance | 140 mm (between two safety circuits) 7 mm (between sensor and actuator when traveling in the Y-direction) |

Material specifications

| | |
|------------------|-------------------|
| Color (Housing) | yellow (RAL 1018) |
| Housing material | PBT |

Characteristics

Safety data: EN ISO 13849

| | |
|------------------------|---|
| Category | 4 |
| Performance level (PL) | e |

Safety data: IEC 61508 - High demand

| | |
|------------------------------|---|
| Safety Integrity Level (SIL) | 3 |
|------------------------------|---|

Environmental and real-life conditions

Ambient conditions

| | |
|---|----------------------|
| Degree of protection | IP65/IP67/IP69/IP69K |
| Ambient temperature (operation) | -25 °C ... 55 °C |
| Ambient temperature (storage/transport) | -40 °C ... 70 °C |

Mounting

| | |
|-----------------------|--|
| Mounting type | not flush |
| Assembly instructions | Note EN ISO 14119 Maximum tightening torque to secure: 0.8 Nm |
| Mounting position | active surface across from sensor |
| Connection method | without |

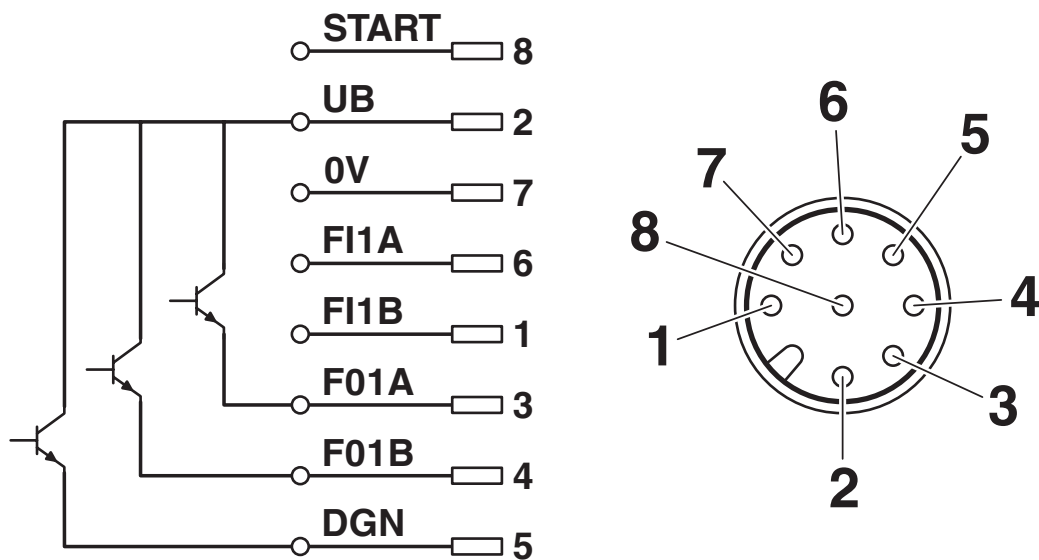
PSR-CT-C-ACT - Safety switch actuator

2702973

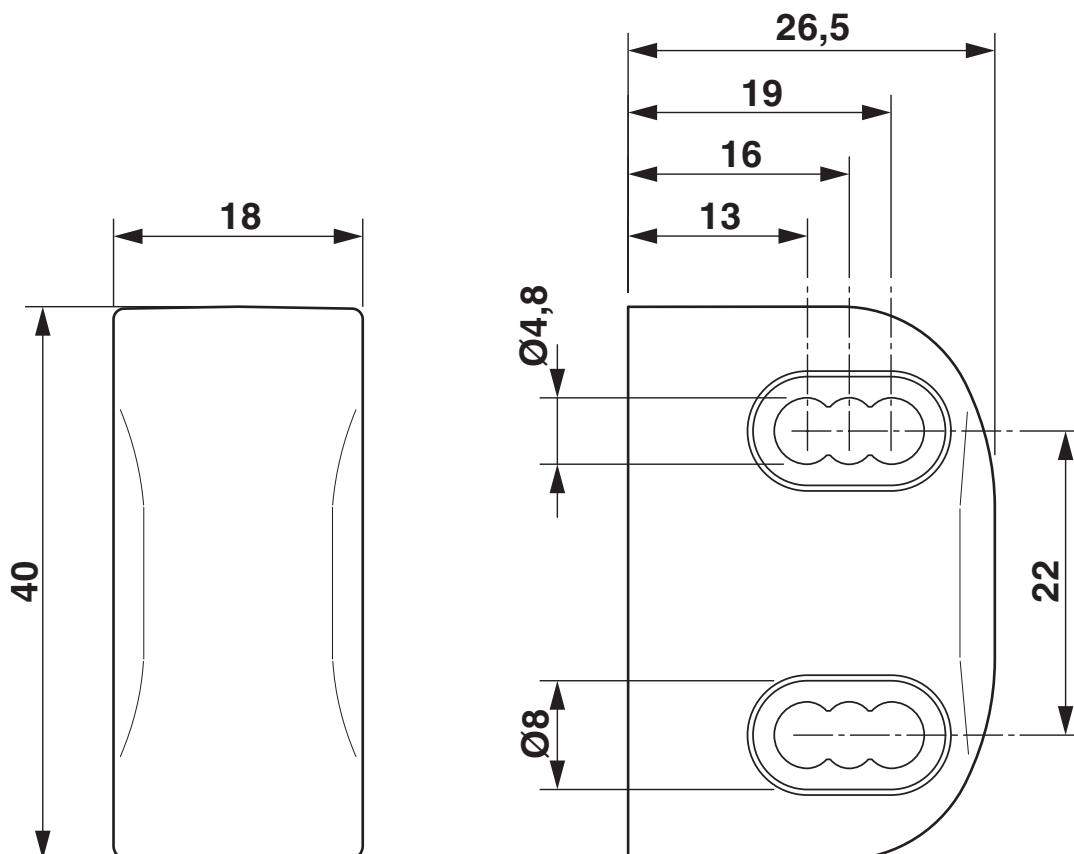
<https://www.phoenixcontact.com/us/products/2702973>

Drawings

Connection diagram



Dimensional drawing

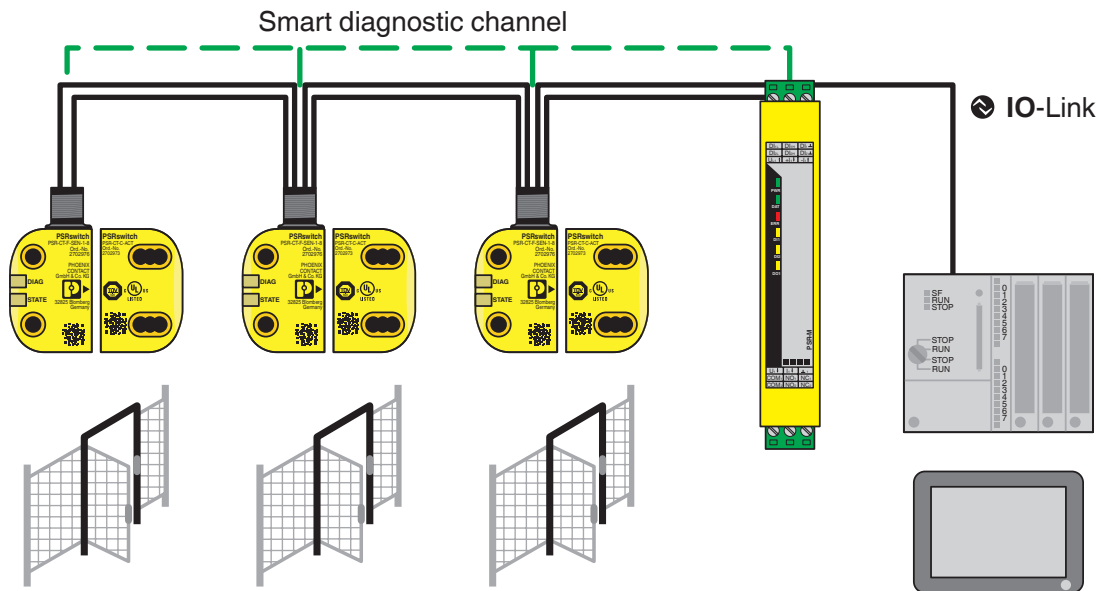


PSR-CT-C-ACT - Safety switch actuator

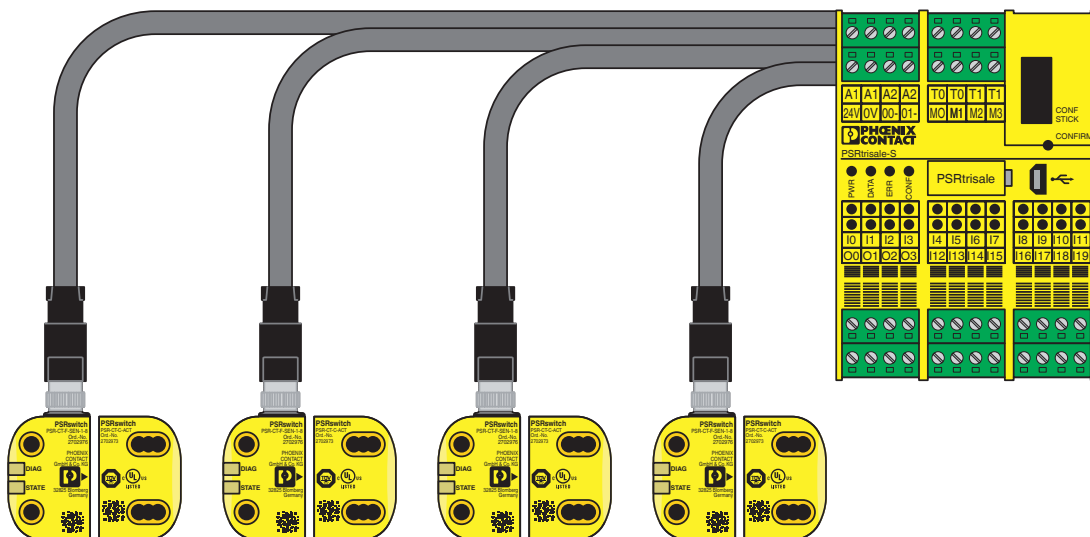
2702973

<https://www.phoenixcontact.com/us/products/2702973>

Application drawing



Application drawing

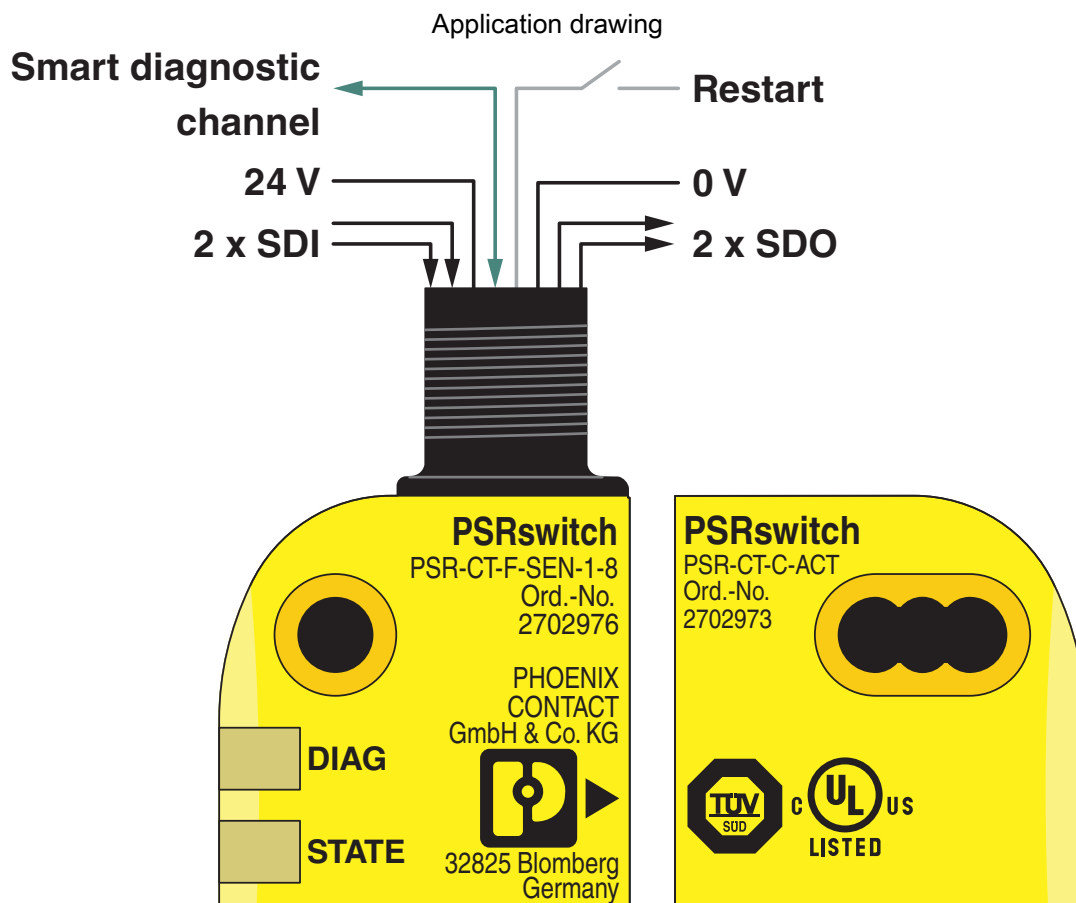


PSR-CT-C-ACT - Safety switch actuator



2702973

<https://www.phoenixcontact.com/us/products/2702973>



Application drawing



PSR-CT-C-ACT - Safety switch actuator



2702973

<https://www.phoenixcontact.com/us/products/2702973>

Approvals

To download certificates, visit the product detail page: <https://www.phoenixcontact.com/us/products/2702973>



UL Listed

Approval ID: FILE E 196162



cUL Listed

Approval ID: FILE E 196162



Functional Safety

Approval ID: Z10 18 04 29429 005

cULus Listed

PSR-CT-C-ACT - Safety switch actuator



2702973

<https://www.phoenixcontact.com/us/products/2702973>

Classifications

ECLASS

| | |
|-------------|----------|
| ECLASS-11.0 | 27272403 |
| ECLASS-12.0 | 27274601 |
| ECLASS-13.0 | 27274601 |

ETIM

| | |
|----------|----------|
| ETIM 9.0 | EC003015 |
|----------|----------|

UNSPSC

| | |
|-------------|----------|
| UNSPSC 21.0 | 32151800 |
|-------------|----------|

PSR-CT-C-ACT - Safety switch actuator



2702973

<https://www.phoenixcontact.com/us/products/2702973>

Environmental product compliance

| | |
|------------|--|
| China RoHS | Environmentally Friendly Use Period = 50 years For information on hazardous substances, refer to the manufacturer's declaration available under "Downloads" |
|------------|--|

PSR-CT-C-ACT - Safety switch actuator

2702973

<https://www.phoenixcontact.com/us/products/2702973>



Accessories

SAC-5P-M12MS BK BR 1-2-4 - Short-circuit connector

1054366

<https://www.phoenixcontact.com/us/products/1054366>



Termination plug for PSR-CT series RFID transponder switches, M12 male, 5-pos., closes the circuit at the last Y distributor in a series connection

SAC-8PY-M/2XF BK 1-PSR - Y distributor

1054338

<https://www.phoenixcontact.com/us/products/1054338>



Y distributor for PSR-CT series RFID transponder switches, M12 male/female, 5- and 8-pos., for safe series connection of up to 30 devices

PSR-CT-C-ACT - Safety switch actuator

2702973

<https://www.phoenixcontact.com/us/products/2702973>

SAC-8PY-M/2XF BK 2-PSR - Y distributor

1054339

<https://www.phoenixcontact.com/us/products/1054339>



Y distributor for PSR-CT series RFID transponder switches, M12 male/female, 5- and 8-pos., for implementation of a manual start circuit in the field

SAC-8PY-M/2XF BK 3-PSR - Y distributor

1054341

<https://www.phoenixcontact.com/us/products/1054341>



Y distributor for PSR-CT series RFID transponder switches, M12 male/female, 5- and 8-pos., for signal contact feedback to the PLC

PSR-CT-C-ACT - Safety switch actuator

2702973

<https://www.phoenixcontact.com/us/products/2702973>

PSR-MC42-2NO-1DO-24DC-SC - Safety relays

2702901

<https://www.phoenixcontact.com/us/products/2702901>



Safety relay with IO-Link for emergency stop, safety doors, and light grids, up to SIL 3, Cat. 4, PL e, 2 sensor circuits, automatic or manual, monitored start, 2 enabling current paths, 1 signal output, $U_S = 24 \text{ V DC}$, plug-in screw terminal block

PSR-MC42-2NO-1DO-24DC-SP - Safety relays

2702902

<https://www.phoenixcontact.com/us/products/2702902>



Safety relay with IO-Link for emergency stop, safety doors and light grids, up to SIL 3, Cat. 4, PL e, 2 sensor circuits, automatic or manual, monitored start, 2 enabling current paths, 1 signal output, $U_S = 24 \text{ V DC}$, pluggable Push-in terminal block

PSR-CT-C-ACT - Safety switch actuator

2702973

<https://www.phoenixcontact.com/us/products/2702973>



PSR-MC43-2SDO-1DO-24DC-SC - Safety relay module

1087561

<https://www.phoenixcontact.com/us/products/1087561>



Safety relay module with IO-Link for emergency stop, safety doors, and light grids, to SIL 3, cat. 4, PL e, 2 sensor circuits, automatic or manual, monitored start, 2 safe digital outputs, 1 signal output, $U_S = 24\text{ V DC}$, pluggable screw terminal block

PSR-MC43-2SDO-1DO-24DC-SP - Safety relay module

1087569

<https://www.phoenixcontact.com/us/products/1087569>



Safety relay module with IO-Link for emergency stop, safety doors, and light grids, to SIL 3, Cat. 4, PL e, 2 sensor circuits, automatic or manual, monitored start, 2 safe digital outputs, 1 signal output, $U_S = 24\text{ V DC}$, pluggable Push-in terminal block

Phoenix Contact 2024 © - all rights reserved
<https://www.phoenixcontact.com>

Phoenix Contact USA
586 Fulling Mill Road
Middletown, PA 17057, United States
(+717) 944-1300
info@phoenixcon.com