

SD FLASH 512MB MODULAR MUX - Multiplexer



2701872

<https://www.phoenixcontact.com/us/products/2701872>

Please be informed that the data shown in this PDF document is generated from our online catalog. Please find the complete data in the user documentation. Our general terms of use for downloads are valid.



Two of these SD cards, with two ILC 131 ETHs and the individually required input and output terminals, form a multiplexer system that requires no programming. Easy configuration via a small number of wire jumpers. Wireless, Ethernet cable or network connection.

Product description

The basic function of the SD FLASH 512MB MODULAR MUX is for those who wish to utilize the advantages of a flexible multiplexer solution without having to program controllers. To enable this, the minimum configuration with just a few wire jumpers is used. Standard components (2 x ILC 131 ETH; 2 x SD FLASH 512MB MODULAR MUX) are used for this, plus the necessary input and output terminals. Communication between the two multiplexer components (ILC 131 ETH) is then established fully automatically via an Ethernet cable or a transparent wireless transmission.

It is also possible to incorporate both multiplexers into one Ethernet. The required Ethernet configuration is implemented via the web interface of the ILC 131 ETH. This is easily done using a PC and a standard browser.

Note: Always perform the safety-related startup inhibit outside of the MODULAR MUX system using safety-related parts of the controller. When doing so, observe the relevant basic and proven safety principles

The following standard components are required:

- 2 x ILC 131 ETH (Item No. 2700973)
- 2 x SD FLASH 512MB MODULAR MUX (Item No. 2701872)

An Ethernet cable (wired communication) is required to connect the two systems.

The specified number of input and output terminals from the Inline Modular range from Phoenix Contact (marked with logo, see below) is also required.

All wireless systems that can transmit TCT/IP data transparently can be used to connect the ILC 131 ETH to a multiplexer system.

The following Phoenix Contact wireless products are suitable for this:

- 1 x FL BT EPA 2 (Item No. 1005869)
 - 2 x FL EPA 2 (Item No. 1005955)
- as well as WLAN Ethernet components in the FL WLAN 24 XX 802-11 series

Your advantages

- License key for application program
- For storing application programs and other files in the file system of the PLC
- Program and configuration memory, plug-in, with license key for function block libraries.

Commercial data

Item number	2701872
Packing unit	1 pc

SD FLASH 512MB MODULAR MUX - Multiplexer



2701872

<https://www.phoenixcontact.com/us/products/2701872>

Minimum order quantity	1 pc
Sales key	DR10
Product key	DRAAZA
Catalog page	Page 55 (C-6-2019)
GTIN	4046356868686
Weight per piece (including packing)	9.2 g
Weight per piece (excluding packing)	8.5 g
Customs tariff number	85235190
Country of origin	DE

SD FLASH 512MB MODULAR MUX - Multiplexer



2701872

<https://www.phoenixcontact.com/us/products/2701872>

Technical data

Product properties

Product type	Storage medium
Mounting position	vertical
Application	Multiplexer system

Electrical properties

Maximum power dissipation for nominal condition	0.165 W
---	---------

Supply

Supply voltage	3.3 V DC
Supply voltage range	2.7 V DC ... 3.6 V DC
Typical current consumption	typ. 50 mA

Material specifications

Housing material	Plastic
------------------	---------

Environmental and real-life conditions

Ambient conditions

Ambient temperature (operation)	-40 °C ... 85 °C
---------------------------------	------------------

Mounting

Mounting position	vertical
-------------------	----------

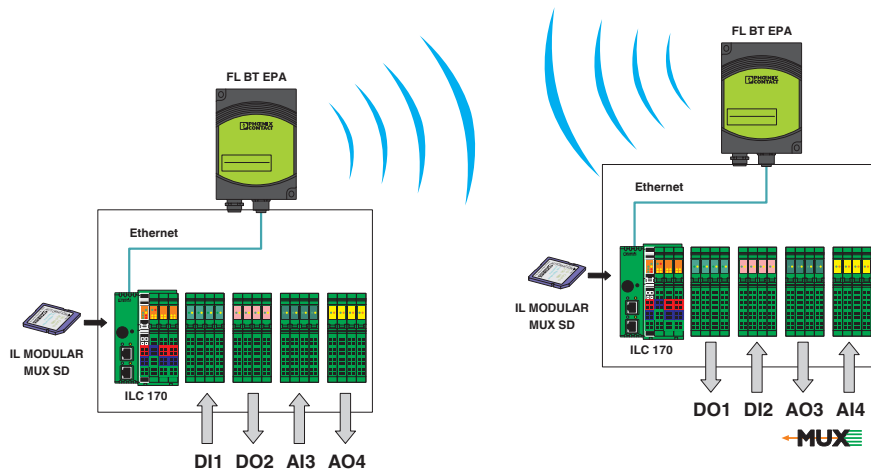
SD FLASH 512MB MODULAR MUX - Multiplexer

2701872

<https://www.phoenixcontact.com/us/products/2701872>

Drawings

Application drawing



The software on the SD FLASH 512MB MODULAR MUX CompactFlash® card transforms the ILC 131 ETH and the individual input and output terminals required into a flexible field multiplexer. As a wireless connection or as a point-to-point connection in an Ethernet network.

SD FLASH 512MB MODULAR MUX - Multiplexer



2701872

<https://www.phoenixcontact.com/us/products/2701872>

Classifications

ECLASS

ECLASS-11.0	27242212
ECLASS-12.0	27242212
ECLASS-13.0	27242212

ETIM

ETIM 9.0	EC000192
----------	----------

UNSPSC

UNSPSC 21.0	32101600
-------------	----------

SD FLASH 512MB MODULAR MUX - Multiplexer



2701872

<https://www.phoenixcontact.com/us/products/2701872>

Environmental product compliance

China RoHS	Environmentally Friendly Use Period = 50 years
	For information on hazardous substances, refer to the manufacturer's declaration available under "Downloads"

SD FLASH 512MB MODULAR MUX - Multiplexer



2701872

<https://www.phoenixcontact.com/us/products/2701872>

Mandatory accessories

ILC 131 ETH - Controller

2700973

<https://www.phoenixcontact.com/us/products/2700973>



The Inline controller offers the option of communicating via PROFINET and Modbus/TCP. Programming is carried out using PC Worx Express or PC Worx (IEC 61131-3).

Accessories

ILC 131 ETH - Controller

2700973

<https://www.phoenixcontact.com/us/products/2700973>



The Inline controller offers the option of communicating via PROFINET and Modbus/TCP. Programming is carried out using PC Worx Express or PC Worx (IEC 61131-3).

Phoenix Contact 2024 © - all rights reserved

<https://www.phoenixcontact.com>

Phoenix Contact USA
586 Fulling Mill Road
Middletown, PA 17057, United States
(+717) 944-1300
info@phoenixcon.com