

# RAD-PIG-EF316-N-RSMA - Antenna cable



2701402

<https://www.phoenixcontact.com/us/products/2701402>

Please be informed that the data shown in this PDF document is generated from our online catalog. Please find the complete data in the user documentation. Our general terms of use for downloads are valid.

Antenna cable for control cabinet feed-through, outside diameter: 3.2 mm (0.126 in.), inner conductor: stranded, attenuation: 0.6 / 0.9 / 1.4 dB at 0.9 / 2.4 / 5.8 GHz, connection: N (female) -> RSMA (male), cable length: 0.5 m (1.6 ft.)



## Your advantages

- Halogen-free
- Flame-retardant
- UV resistant
- Oil-resistant
- For outdoor installation

## Commercial data

Item number	2701402
Packing unit	1 pc
Minimum order quantity	1 pc
Sales key	DN23
Product key	DNN2Z2
Catalog page	Page 391 (C-6-2019)
GTIN	4046356746816
Weight per piece (including packing)	55 g
Weight per piece (excluding packing)	52.7 g
Customs tariff number	85442000
Country of origin	PL

# RAD-PIG-EF316-N-RSMA - Antenna cable

2701402

<https://www.phoenixcontact.com/us/products/2701402>

## Technical data

### Product properties

Product type	Coaxial cable
--------------	---------------

### Electrical properties

Frequency range	0.3 GHz ... 6 GHz
Impedance	50 $\Omega$

### Connection data

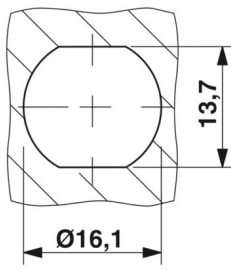
#### Connector connection

Connection method	RSMA (male)
-------------------	-------------

#### Connector connection

Connection method	N (female)
-------------------	------------

### Dimensions

Dimensional drawing	
Hole diameter	16.1 mm

### Material specifications

Outer sheath, material	RADOX®(LSFH)
------------------------	--------------

### Cable/line

Cable length	0.5 m
Cable type	EF 316
External cable diameter	2.50 mm
Outer sheath, material	RADOX®(LSFH)
External sheath, color	blue
Bending radius, long-term	12.50 mm
868 / 900 MHz	~ 0.6 dB (Attenuation of entire cable)
2.4 GHz	~ 0.9 dB (Attenuation of entire cable)
5.8 GHz	~ 1.4 dB (Attenuation of entire cable)
Resistance to oil	very good oil and chemical resistance

### Environmental and real-life conditions

# RAD-PIG-EF316-N-RSMA - Antenna cable



2701402

<https://www.phoenixcontact.com/us/products/2701402>

## Ambient conditions

Ambient temperature (operation)	-40 °C ... 105 °C
Ambient temperature (storage/transport)	-40 °C ... 105 °C
Ambient temperature (assembly)	-20 °C ... 60 °C
Resistance to oil	very good oil and chemical resistance

## Approvals

### CE

Certificate	CE-compliant
-------------	--------------

## Standards and regulations

Resistance to oil	very good oil and chemical resistance
Standard designation	Flame retardancy
Standards/specifications	DIN EN 60332-1-2
	UL 1581
Standard designation	Halogen-free
Standards/specifications	IEC 60754
Standard designation	UV resistance
Standards/specifications	IEC 60068-2-5

## Mounting

Assembly instructions	Outdoors and indoors
-----------------------	----------------------

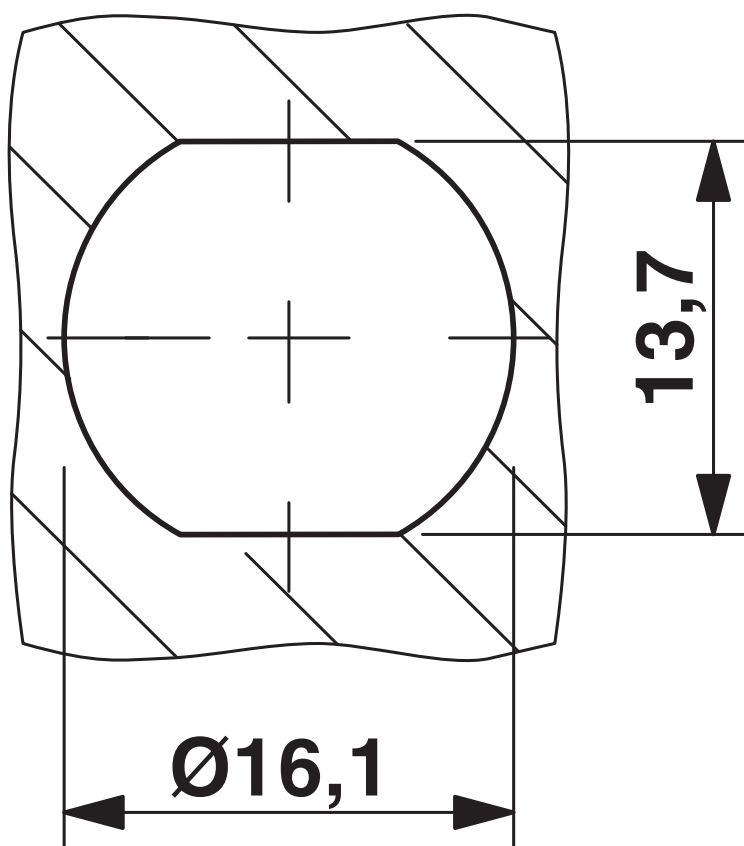
# RAD-PIG-EF316-N-RSMA - Antenna cable

2701402

<https://www.phoenixcontact.com/us/products/2701402>

## Drawings

Dimensional drawing



Drill holes

# RAD-PIG-EF316-N-RSMA - Antenna cable



2701402

<https://www.phoenixcontact.com/us/products/2701402>

## Approvals

🔗 To download certificates, visit the product detail page: <https://www.phoenixcontact.com/us/products/2701402>



**EAC**

Approval ID: 19060508

# RAD-PIG-EF316-N-RSMA - Antenna cable



2701402

<https://www.phoenixcontact.com/us/products/2701402>

## Classifications

### ECLASS

ECLASS-11.0	27060310
ECLASS-12.0	27060310
ECLASS-13.0	27060310

### ETIM

ETIM 9.0	EC001682
----------	----------

### UNSPSC

UNSPSC 21.0	26121600
-------------	----------

# RAD-PIG-EF316-N-RSMA - Antenna cable



2701402

<https://www.phoenixcontact.com/us/products/2701402>

## Environmental product compliance

REACH SVHC	Lead 7439-92-1
China RoHS	Environmentally Friendly Use Period = 25;
	For information on hazardous substances, refer to the manufacturer's declaration available under "Downloads"

Phoenix Contact 2024 © - all rights reserved  
<https://www.phoenixcontact.com>

Phoenix Contact USA  
586 Fulling Mill Road  
Middletown, PA 17057, United States  
(+717) 944-1300  
[info@phoenixcon.com](mailto:info@phoenixcon.com)