

# PSD-S CE-TM SCREW - Connection element



2700095

<https://www.phoenixcontact.com/us/products/2700095>

Please be informed that the data shown in this PDF document is generated from our online catalog. Please find the complete data in the user documentation. Our general terms of use for downloads are valid.

Connection element with screw connection terminal blocks for tube mounting



## Commercial data

Item number	2700095
Packing unit	1 pc
Minimum order quantity	1 pc
Sales key	DR07
Product key	DRL116
Catalog page	Page 520 (C-6-2019)
GTIN	4046356490979
Weight per piece (including packing)	97.5 g
Weight per piece (excluding packing)	91.8 g
Customs tariff number	85319000
Country of origin	DE

# PSD-S CE-TM SCREW - Connection element



2700095

<https://www.phoenixcontact.com/us/products/2700095>

## Technical data

### Product properties

Product type	Assembly element
Scope of delivery	End cover and seal
	End cover and seal
Number of mountable signal elements	max. 5

### Electrical properties

#### General

Nominal input voltage range	12 V AC/DC ... 240 V AC/DC
-----------------------------	----------------------------

### Connection data

#### without ferrule

Connection method	Screw connection
Conductor cross section, flexible	0.5 mm <sup>2</sup> ... 1.5 mm <sup>2</sup>
Conductor cross section, flexible [AWG]	... 15
Stripping length	7 mm

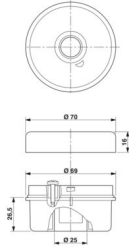
#### With ferrule

Connection method	Screw connection
Conductor cross section, flexible	0.25 mm <sup>2</sup> ... 1.5 mm <sup>2</sup>
Conductor cross section, flexible [AWG]	... 15
Stripping length	7 mm

#### solid

Connection method	Screw connection
Conductor cross section, rigid	0.5 mm <sup>2</sup> ... 1.5 mm <sup>2</sup>
Stripping length	7 mm

### Dimensions

Dimensional drawing	
Height	27 mm
Diameter	69 mm

### Material specifications

# PSD-S CE-TM SCREW - Connection element



2700095

<https://www.phoenixcontact.com/us/products/2700095>

Color	black
Material	PA-GF

## Environmental and real-life conditions

### Ambient conditions

Degree of protection	IP65, when installed
Ambient temperature (operation)	-30 °C ... 50 °C

## EMC data

Electromagnetic compatibility	Conformance with EMC directive 2004/108/EC and for low-voltage directive 2006/95/EC
-------------------------------	---

## Mounting

Mounting type	Tube mounting
Assembly instructions	Rubber seal pre-installed for each element
Mounting position	any

# PSD-S CE-TM SCREW - Connection element

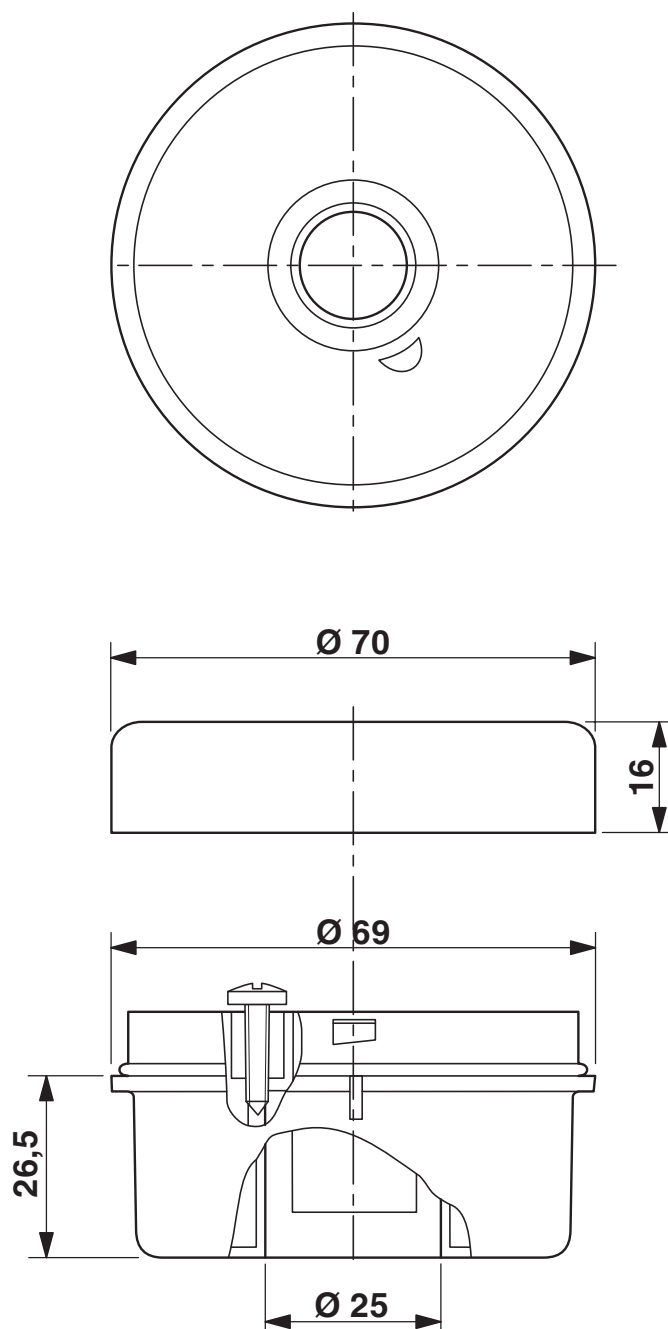
2700095

<https://www.phoenixcontact.com/us/products/2700095>



## Drawings

Dimensional drawing



# PSD-S CE-TM SCREW - Connection element



2700095

<https://www.phoenixcontact.com/us/products/2700095>

## Approvals

To download certificates, visit the product detail page: <https://www.phoenixcontact.com/us/products/2700095>



**EAC**

Approval ID: TR TS\_D\_03484



**UL Listed**

Approval ID: FILE E 123528



**cUL Listed**

Approval ID: FILE E 123528

**cULus Listed**

# PSD-S CE-TM SCREW - Connection element



2700095

<https://www.phoenixcontact.com/us/products/2700095>

## Classifications

### ECLASS

ECLASS-11.0	27371232
ECLASS-12.0	27371232
ECLASS-13.0	27371232

### ETIM

ETIM 9.0	EC001152
----------	----------

### UNSPSC

UNSPSC 21.0	46171600
-------------	----------

# PSD-S CE-TM SCREW - Connection element



2700095

<https://www.phoenixcontact.com/us/products/2700095>

## Environmental product compliance

REACH SVHC	Lead 7439-92-1
China RoHS	Environmentally Friendly Use Period = 50 years
	For information on hazardous substances, refer to the manufacturer's declaration available under "Downloads"

# PSD-S CE-TM SCREW - Connection element



2700095

<https://www.phoenixcontact.com/us/products/2700095>

## Accessories

### PSD-S ME A-SH M18 - Adapter

2700150

<https://www.phoenixcontact.com/us/products/2700150>



Adapter for single-hole mounting

---

### PSD-S ME BT 110 - Mounting material

2700156

<https://www.phoenixcontact.com/us/products/2700156>



Foot with integrated tube, 110 mm high, black



# PSD-S CE-TM SCREW - Connection element

2700095

<https://www.phoenixcontact.com/us/products/2700095>



## PSD-S ME T-M 250 - Mounting material

2700157

<https://www.phoenixcontact.com/us/products/2700157>



Tube, 250 mm high, Ø 25 mm

---

## PSD-S ME T-M 400 - Mounting material

2700158

<https://www.phoenixcontact.com/us/products/2700158>



Tube, 400 mm high, Ø 25 mm

# PSD-S CE-TM SCREW - Connection element

2700095

<https://www.phoenixcontact.com/us/products/2700095>



## PSD-S ME T-M 1000 - Mounting material

2700154

<https://www.phoenixcontact.com/us/products/2700154>



Tube, 1000 mm long, Ø 25 mm

---

## PSD-S ME B-M - Mounting material

2700164

<https://www.phoenixcontact.com/us/products/2700164>



Foot for tube Ø 25 mm, aluminium, black

# PSD-S CE-TM SCREW - Connection element

2700095

<https://www.phoenixcontact.com/us/products/2700095>



## PSD-S ME B-P - Mounting material

2700163

<https://www.phoenixcontact.com/us/products/2700163>

Foot for tube Ø 25 mm, plastic, black



---

## PSD-S ME T-P 45 - Mounting material

2700152

<https://www.phoenixcontact.com/us/products/2700152>

Tube, 45 mm long, Ø 25 mm, for direct tube mounting on the foldaway base



# PSD-S CE-TM SCREW - Connection element

2700095

<https://www.phoenixcontact.com/us/products/2700095>



## PSD-S ME FB - Mounting material

2700151

<https://www.phoenixcontact.com/us/products/2700151>



Foldaway base, pitch 7.5°, black

---

## PSD-S ME OB - Mounting material

2700153

<https://www.phoenixcontact.com/us/products/2700153>



Outlet box with lateral cable entry for floor and base mounting

# PSD-S CE-TM SCREW - Connection element

2700095

<https://www.phoenixcontact.com/us/products/2700095>



## PSD-S ME OB/MB - Mounting material

2700155

<https://www.phoenixcontact.com/us/products/2700155>

Outlet box with magnetic base for base mounting, black



---

## PSD-S ME BR-BM/HCR - Mounting bracket

2700149

<https://www.phoenixcontact.com/us/products/2700149>

Angle for base mounting, concealed cable routing, black



# PSD-S CE-TM SCREW - Connection element

2700095

<https://www.phoenixcontact.com/us/products/2700095>



## PSD-S ME BR-BM - Mounting bracket

2700143

<https://www.phoenixcontact.com/us/products/2700143>



Angle for base mounting, black

---

Phoenix Contact 2024 © - all rights reserved

<https://www.phoenixcontact.com>

Phoenix Contact USA  
586 Fulling Mill Road  
Middletown, PA 17057, United States  
(+717) 944-1300  
[info@phoenixcon.com](mailto:info@phoenixcon.com)