

VIP-PA-FLK50/4X14/ 2,5M/S7 - Front adapter



2322582

<https://www.phoenixcontact.com/us/products/2322582>

Please be informed that the data shown in this PDF document is generated from our online catalog. Please find the complete data in the user documentation. Our general terms of use for downloads are valid.



VIP VARIOFACE front adapter, with connected system cables for SMATIC S7-300, 4 x 8 channels can be connected

Your advantages

- Can be screwed on with the I/O module
- Power supply via terminal blocks with spring-cage double connection
- Encapsulated socket strips on the module side

Commercial data

Item number	2322582
Packing unit	1 pc
Minimum order quantity	1 pc
Note	Made to order (non-returnable)
Sales key	C423
Product key	CK2317
Catalog page	Page 501 (C-5-2019)
GTIN	4046356452328
Weight per piece (including packing)	852.6 g
Weight per piece (excluding packing)	837.6 g
Customs tariff number	85444290
Country of origin	DE

VIP-PA-FLK50/4X14/ 2,5M/S7 - Front adapter



2322582

<https://www.phoenixcontact.com/us/products/2322582>

Technical data

Product properties

Product type	Front adapter
Product family	VARIOFACE Professional

Insulation characteristics

Insulation	Functional insulation
------------	-----------------------

Insulation characteristics: Air clearances and creepage distances

Insulation	Functional insulation
Overvoltage category	II
Pollution degree	2

Electrical properties

Operating voltage (AC)	≤ 30 V AC
Operating voltage (DC)	≤ 60 V DC
Current (per branch)	≤ 1 A
Current (Voltage supply)	≤ 8 A
Current (per byte)	≤ 2 A

Air clearances and creepage distances

Rated insulation voltage	63 V
Rated surge voltage	0.6 kV

Supported controller SIEMENS S7-300 / ET 200 M

Suitable I/O card	CPU 313C
	CPU 313C-2PtP
	CPU 313C-2DP
	CPU 314C-2PtP
	CPU 314C-2DP
	6ES7321-1BL00-0AA0
	6ES7322-1BL00-0AA0
	6ES7322-8BH01-0AB0
	6ES7322-8BH10-0AB0
	6ES7323-1BL00-0AA0
	6ES7331-7NF00-0AB0
	6ES7331-7NF10-0AB0
	6ES7331-7PF01-0AB0
	6ES7331-7PF11-0AB0
	6ES7350-2AH01-0AE0
	6ES7357-4AH01-0AE0
6ES7331-1KF02-0AB0	

Connection data

VIP-PA-FLK50/4X14/ 2,5M/S7 - Front adapter



2322582

<https://www.phoenixcontact.com/us/products/2322582>

Connection 1 (control level)

Connection method	Plug-in connection
Number of positions	40
Note	Can be plugged onto 40-pos. I/O modules

Connection 2 (field level)

Connection in acc. with standard	IEC 60603-13
Connection method	IDC/FLK socket strip
Number of connections	4
Number of positions	14
Insertion/withdrawal cycles	< 50
Pitch	2.54 mm

Connection 3 (supply)

Connection method	Push-in spring connection
Stripping length	10 mm
Number of connections	2
Number of positions	4
Conductor cross section rigid	0.2 mm ² ... 2.5 mm ²
Conductor cross section flexible	0.2 mm ² ... 2.5 mm ²
Conductor cross section AWG	24 ... 14

Dimensions

Cable

Length	2.5 m
--------	-------

Cable/line

14X0.14 [PVC]

UL AWM Style	2464/1061
Number of positions	14
Shielded	no
Cable type	14X0.14 [PVC]
Conductor type	Round cable set
Conductor structure signal line	7x 0.16 mm
AWG signal line	26
Conductor cross section	14x 0.14 mm ²
Wire diameter incl. insulation	1 mm ±0.03 mm
External cable diameter	6.40 mm ±0.4 mm
Outer sheath, material	Semi-rigid PVC
External sheath, color	gray
Conductor material	Tin-plated Cu litz wires
Cable resistance	≤ 145 Ω/km (20 °C)
Insulation resistance	≥ 20 MΩ*km (20 °C)
Smallest bending radius, fixed installation	55 mm

VIP-PA-FLK50/4X14/ 2,5M/S7 - Front adapter



2322582

<https://www.phoenixcontact.com/us/products/2322582>

Smallest bending radius, movable installation	104 mm
Max. bending cycles	5000 (at a radius of $\geq 15x$ outside diameter)
Halogen-free	no
Flame resistance	IEC 60332-1-2 (raw cable)
	VDE 0842, Part 332-1-2 (raw cable)
	IEC 60332-3-22 (raw cable)
	UL VW-1
	CSA FT-1
Resistance to oil	can withstand occasional splashes (raw cable)

Environmental and real-life conditions

Ambient conditions

Degree of protection (Module)	IP20
Degree of protection (Installation location)	\geq IP54
Ambient temperature (operation)	-20 °C ... 50 °C
Ambient temperature (storage/transport)	-20 °C ... 70 °C
Altitude	\leq 2000 m

Approvals

UKCA

Certificate	UKCA-compliant
-------------	----------------

Standards and regulations

Air clearances and creepage distances

Standards/regulations	EN IEC 60664-1
-----------------------	----------------

Mounting

Mounting type	Plug-in mounting
Mounting position	any

Notes

General	For proper use, the specifications of the installation directive (see Downloads) must be observed. For applications or use with third-party products, the specifications, and the safety and warning instructions of the respective third-party manufacturer must also be met.
General	To prevent short circuits, all wire bridges on the following I/O cards are to be separated. There may not be any voltage supply at the front adapter. 6ES7 331-7NF00-0AB0 6ES7 331-7NF10-0AB0 6ES7 331-7PF01-0AB0 6ES7 331-7PF11-0AB0 6ES7 350-2AH01-0AE0 6ES7 357-4AH01-0AE0 6ES7 331-1KF02-0AB0

VIP-PA-FLK50/4X14/ 2,5M/S7 - Front adapter



2322582

<https://www.phoenixcontact.com/us/products/2322582>

General

Digital I/O cards

Thanks to the existing wire bridge upon delivery, the input and output bytes are non-isolated.

VIP-PA-FLK50/4X14/ 2,5M/S7 - Front adapter

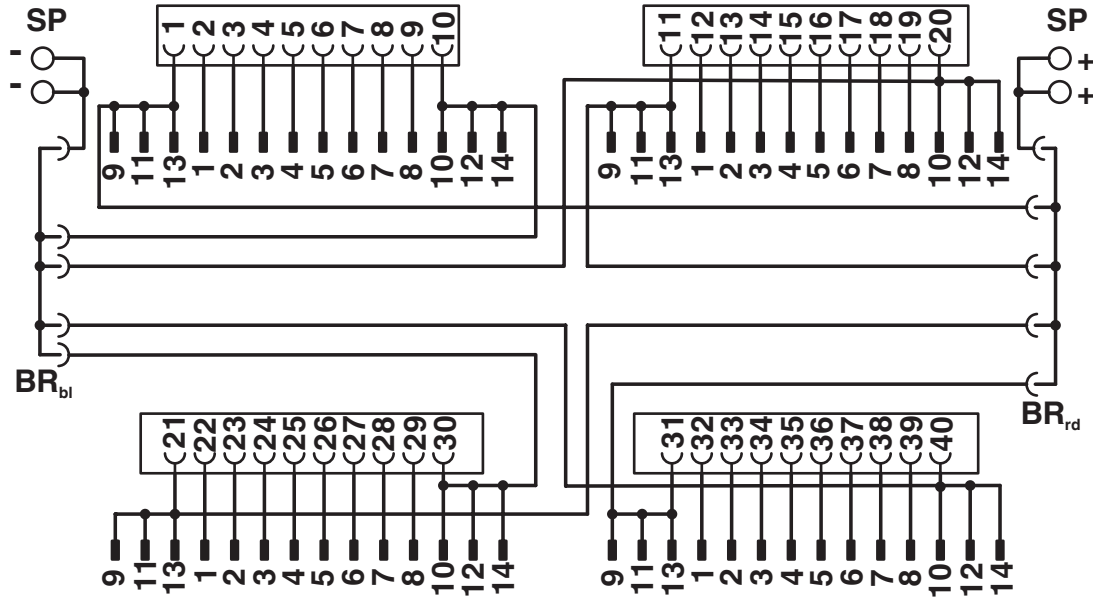


2322582

<https://www.phoenixcontact.com/us/products/2322582>

Drawings

Circuit diagram



VIP-PA-FLK50/4X14/ 2,5M/S7 - Front adapter





2322582

<https://www.phoenixcontact.com/us/products/2322582>

Approvals

To download certificates, visit the product detail page: <https://www.phoenixcontact.com/us/products/2322582>

 cUL Recognized Approval ID: FILE E 238705				
	Nominal voltage U_N	Nominal current I_N	Cross section AWG	Cross section mm^2
	50 V	1 A	-	-

 UL Recognized Approval ID: FILE E 238705				
	Nominal voltage U_N	Nominal current I_N	Cross section AWG	Cross section mm^2
	50 V	1 A	-	-

cULus Recognized				
-------------------------	--	--	--	--

VIP-PA-FLK50/4X14/ 2,5M/S7 - Front adapter



2322582

<https://www.phoenixcontact.com/us/products/2322582>

Classifications

ECLASS

ECLASS-11.0	27242292
ECLASS-12.0	27242292
ECLASS-13.0	27242292

ETIM

ETIM 9.0	EC002584
----------	----------

UNSPSC

UNSPSC 21.0	32151600
-------------	----------

VIP-PA-FLK50/4X14/ 2,5M/S7 - Front adapter



2322582

<https://www.phoenixcontact.com/us/products/2322582>

Environmental product compliance

China RoHS	Environmentally friendly use period: unlimited = EFUP-e
	No hazardous substances above threshold values

VIP-PA-FLK50/4X14/ 2,5M/S7 - Front adapter

2322582

<https://www.phoenixcontact.com/us/products/2322582>

Mandatory accessories

VIP-2/SC/2FLK14 (1-20) /S7 - Passive module

2315230

<https://www.phoenixcontact.com/us/products/2315230>



VARIOFACE interface module for Siemens SIMATIC® S7-300, for max. 16 channels with SIMATIC®-specific labeling (1 - 20), with screw connection, module width: 80.6 mm

VIP-2/PT/2FLK14 (1-20) /S7 - Passive module

2903802

<https://www.phoenixcontact.com/us/products/2903802>



VARIOFACE interface module for Siemens SIMATIC® S7-300, for max. 16 channels with SIMATIC®-specific labeling (1 - 20), with push-in connection, module width: 82.5 mm

VIP-PA-FLK50/4X14/ 2,5M/S7 - Front adapter

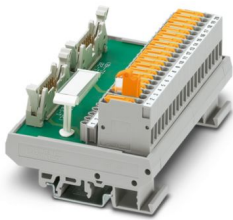
2322582

<https://www.phoenixcontact.com/us/products/2322582>

FLKM-2FLK14/KDS3-MT/PPA/S7 - Passive module

2295062

<https://www.phoenixcontact.com/us/products/2295062>



VARIOFACE termination board for Siemens SIMATIC® S7-300, for max. 16 channels with SIMATIC®-specific marking (1-20), knife-disconnect terminal block, and test pick-off, module width: 113 mm

PLC-V8/FLK14/OUT - System connection

2295554

<https://www.phoenixcontact.com/us/products/2295554>



V8 adapter for 8 x PLC-INTERFACE (6.2 mm), controller: PLC system cabling of output cards, connection 1: IDC/FLK pin strip 1x 14-position, connection 2: Plug-in connection (Can be snapped onto 8x PLC-INTERFACE terminals), connection 3: Screw connection 1x 2-position, number of channels: 8, control logic: plusschaltend

VIP-PA-FLK50/4X14/ 2,5M/S7 - Front adapter



2322582

<https://www.phoenixcontact.com/us/products/2322582>

PLC-V8/FLK14/IN - System connection

2296553

<https://www.phoenixcontact.com/us/products/2296553>



V8 adapter for 8 x PLC-INTERFACE (6.2 mm), controller: PLC system cabling of input cards, connection 1: IDC/FLK pin strip 1x 14-position, connection 2: Plug-in connection (Can be snapped onto 8x PLC-INTERFACE terminals), connection 3: Screw connection 1x 2-position, number of channels: 8, control logic: plusschaltend

PLC-V8L/FLK14/OUT - System connection

2299660

<https://www.phoenixcontact.com/us/products/2299660>



V8 adapter for 8 x PLC-INTERFACE (14 mm), controller: PLC system cabling of output cards, connection 1: IDC/FLK pin strip 1x 14-position, connection 2: Plug-in connection (Can be snapped onto 8x PLC-INTERFACE terminals), connection 3: Screw connection 1x 2-position, number of channels: 8, control logic: plusschaltend

VIP-PA-FLK50/4X14/ 2,5M/S7 - Front adapter

2322582

<https://www.phoenixcontact.com/us/products/2322582>



VIP-3/SC/FLK14/8IM/PLC - Passive module

2322278

<https://www.phoenixcontact.com/us/products/2322278>



VARIOFACE sensor module, for connecting 8 pnp sensors

VIP-3/PT/FLK14/8IM/PLC - Passive module

2904282

<https://www.phoenixcontact.com/us/products/2904282>



VARIOFACE sensor module, with push-in connection, for connecting 8 pnp sensors

Accessories

VIP-PA-FLK50/4X14/ 2,5M/S7 - Front adapter

2322582

<https://www.phoenixcontact.com/us/products/2322582>



KME - Cable marker carrier

0807083

<https://www.phoenixcontact.com/us/products/0807083>



Cable marker carrier, white, unlabeled, mounting type: Assembly with cable ties, cable diameter: > 5 mm, lettering field size: 20 x 8 mm

Phoenix Contact 2024 © - all rights reserved

<https://www.phoenixcontact.com>

Phoenix Contact USA
586 Fulling Mill Road
Middletown, PA 17057, United States
(+717) 944-1300
info@phoenixcon.com