

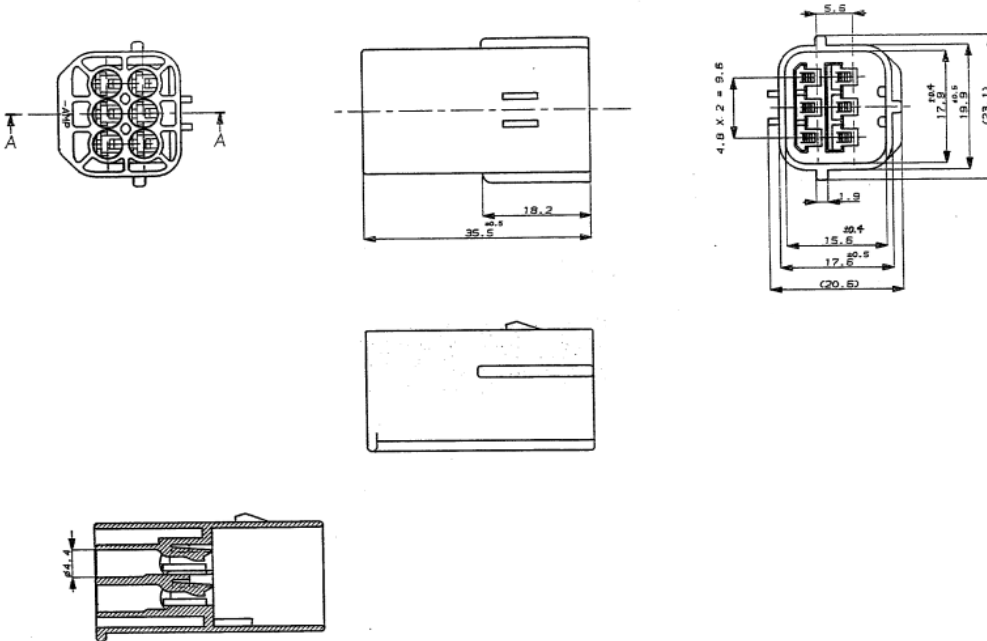
Professionally approved products.

Datasheet

6 W Econoseal J Mk II receptacle housing

RS Stock number [717-4284](#)

Dimensions: mm



Specifications

- For plug housing P/N 174262, 173919
- This part must be used with double lock plate P/N 174265
- Colour: Black
- Depth: 35.5mm
- Gender: Female
- Height: 20.6mm
- Housing Material: PBT
- Number of Contacts: 6
- Number of Rows: 2
- Type: Housing
- Width: 23.1mm