

IE-TO-SCD-MM**Weidmüller Interface GmbH & Co. KG**

Klingenbergstraße 26

D-32758 Detmold

Germany

www.weidmueller.com



Mounting rail outlet, SC duplex junction design according to IEC 61754-4

General ordering data

Version	Mounting rail outlet, fibre-optic, SC duplex, Multimode, POF, IP20
Order No.	8946970000
Type	IE-TO-SCD-MM
GTIN (EAN)	4032248734979
Qty.	10 pc(s).

Creation date September 18, 2022 4:19:55 AM CEST

Catalogue status 09.09.2022 / We reserve the right to make technical changes.

IE-TO-SCD-MM

Weidmüller Interface GmbH & Co. KG

Klingenbergstraße 26

D-32758 Detmold

Germany

www.weidmueller.com

Technical data

Dimensions and weights

Depth	67 mm	Depth (inches)	2.638 inch
Width	17.5 mm	Width (inches)	0.689 inch
Length	59.6 mm	Length (inches)	2.346 inch
Net weight	40.1 g		

Temperatures

Operating temperature	-40 °C...70 °C
-----------------------	----------------

General data

Colour	Light Grey	Connection 1	SC-Duplex
Connection 2	SC-Duplex	Fibre type	Multimode, POF
Housing main material	PA UL 94 V0	Insertion loss	≤ 0.4 dB
Plugging cycles	1000	Protection degree	IP20
Type of mounting	TS 35		

General standards

Certificate No. (UL)	E477798	Connector standard	IEC 61754-4
----------------------	---------	--------------------	-------------

Classifications

ETIM 6.0	EC000313	ETIM 7.0	EC000313
ETIM 8.0	EC000313	ECLASS 9.0	27-44-03-20
ECLASS 9.1	19-17-01-25	ECLASS 10.0	27-44-03-20
ECLASS 11.0	27-44-03-20	ECLASS 12.0	27-44-03-20

Approvals

Approvals



ROHS	Conform
UL File Number Search	UL Website
Certificate No. (UL)	E477798

Downloads

Engineering Data	CAD data – STEP
Engineering Data	EPLAN, WSCAD, Zuken E3.S
User Documentation	MAN IE GUIDE DE MAN IE GUIDE EN Manual
Catalogues	Catalogues in PDF-format
Brochures	FL FIELDWIRING EN PI PROFINET CABLING EN PI PROFINET CABLING EN

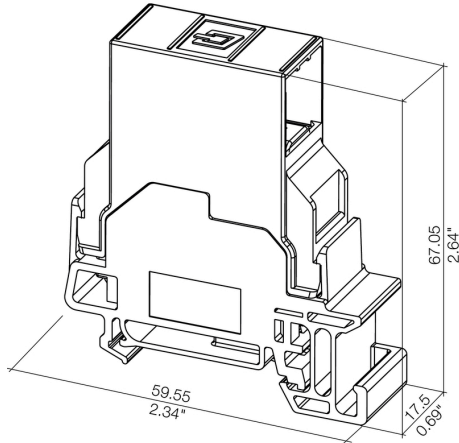
IE-TO-SCD-MM

Weidmüller Interface GmbH & Co. KG
Klingenbergstraße 26
D-32758 Detmold
Germany

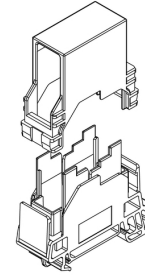
www.weidmueller.com

Drawings

Dimensioned drawing



Drawing



Mouser Electronics

Authorized Distributor

Click to View Pricing, Inventory, Delivery & Lifecycle Information:

[Weidmuller:](#)

[8946970000](#)