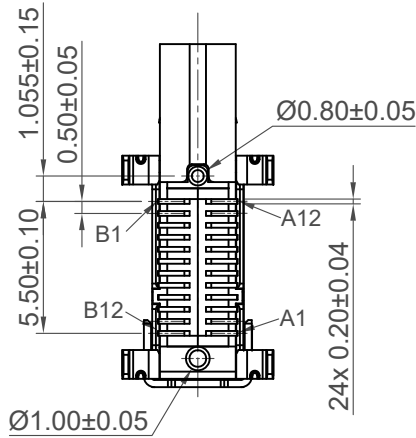


Plug and Receptacle Mating View



Specifications

Material

Insulator: LCP, UL 94V-0, Black
 Contact: Copper Alloy, T=0.12mm
 Mid Plate: Stainless Steel, T=0.15mm
 EMI Plate: Stainless Steel, T=0.10mm
 Shell: Stainless Steel, T=0.30mm

Plating

Contact
 Contact Area: 3µ" Gold over 50µ" min. Nickel
 Solder Tails: Gold Flash over 50µ" min. Nickel
 Shell&EMI Plate: 50µ" min. Nickel
 Mid Plate: Clear

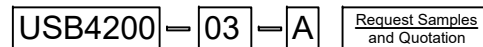
Electrical

Current Rating: 5.00A collectively for Vbus pins
 6.25A collectively for GND pins
 1.25A for A5/B5 pin
 0.25A per pin for all other pins
 Voltage Rating: 48V DC
 Power Rating: 240W
 Contact Resistance: 40mΩ max initial.
 50mΩ max after test
 Dielectric Withstanding Voltage: 100V AC
 Insulation Resistance 100MΩ min

Mechanical & Environmental

Operating Temperature: -40°C to +85°C
 Mating Force: 5 to 20 N
 Unmated Force: 6 to 20 N after test
 Durability: 20,000 cycles

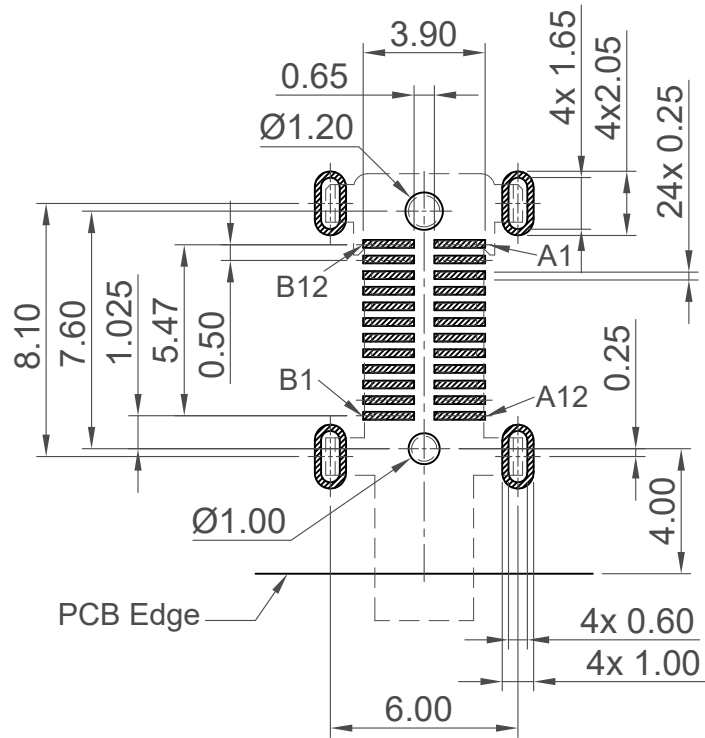
Ordering Grid



Contact Plating
 03 = 3µ" Gold

Packing Options
 A = Tape & Reel
 (450pcs/Reel)

Part Number		Product Description			This drawing is confidential and copyright of Global Connector Technology, Ltd (GCT). This drawing must not be copied or disclosed without written consent. E & OE	 www.gct.co
USB4200		USB3.2 Gen2, Type C Receptacle, Dual Row SMT, Flag Type, PCB Top Mount, 24 Pin				
Drawing Date		Tolerances (Except as Noted)		Units: Metric (mm)	3rd Angle Projection	
2nd March 2023		Length Angle				
By	CC	Units:				
Detail	Drawing Release	X.X ± 0.30				
Revision	A	X.XX ± 0.20				
Date	06/03/23	X.XXX ± 0.10				
Not to Scale		Drawn By CC		Sheet No. 1/3		



Recommended PCB Layout

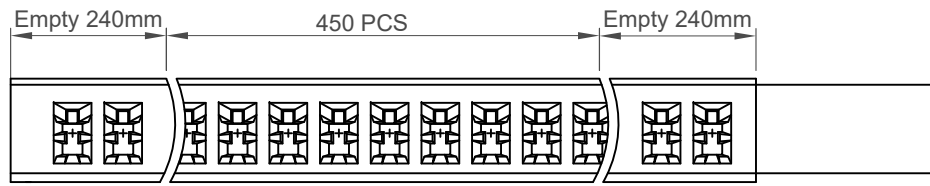
Tolerance: $\pm 0.05\text{mm}$

▨ Solder Area - - - Component Outline

Pin	Signal	Mating Sequence	Pin	Signal	Mating Sequence
A1	GND	First	B12	GND	First
A2	SSTXp1	Second	B11	SSRXp1	Second
A3	SSTXn1	Second	B10	SSRXn1	Second
A4	Vbus	First	B9	Vbus	First
A5	CC1	Second	B8	SBU2	Second
A6	Dp1	Second	B7	Dn2	Second
A7	Dn1	Second	B6	Dp2	Second
A8	SBU1	Second	B5	CC2	Second
A9	Vbus	First	B4	Vbus	First
A10	SSRXn2	Second	B3	SSTXn2	Second
A11	SSRXp2	Second	B2	SSTXp2	Second
A12	GND	First	B1	GND	First
SHELL		GND	SHELL		GND

Part Number		Product Description			
USB4200		USB3.2 Gen2, Type C Receptacle, Dual Row SMT, Flag Type, PCB Top Mount, 24 Pin			
Drawing Date		2nd March 2023			
By	CC	Tolerances (Except as Noted)		Units:	
Detail	Drawing Release	Length	Angle	Metric (mm)	
Revision	A	X.X \pm 0.30	-		
Date	06/03/23	X.XX \pm 0.20			
		X.XXX \pm 0.10			
<p>This drawing is confidential and copyright of Global Connector Technology, Ltd (GCT). This drawing must not be copied or disclosed without written consent. E & OE</p>					
Not to Scale		Drawn By CC		Sheet No. 2/3	

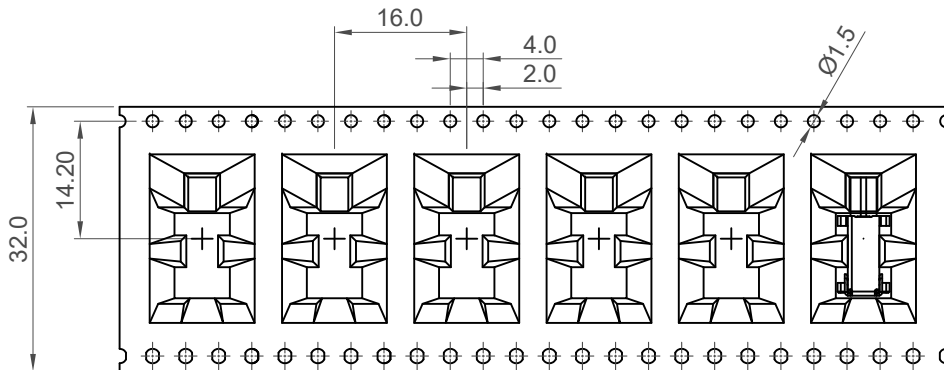
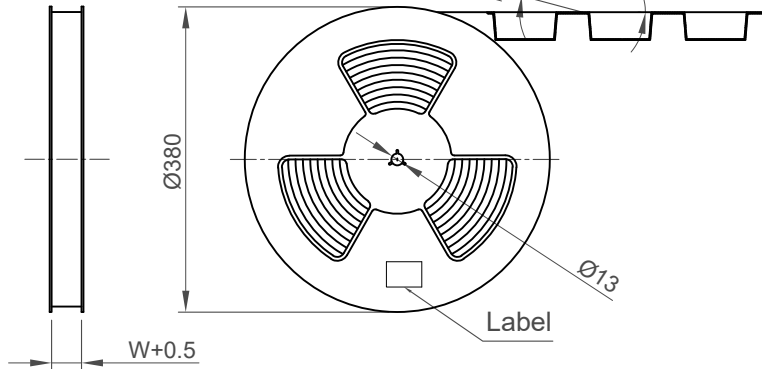




Direction of Unreeling

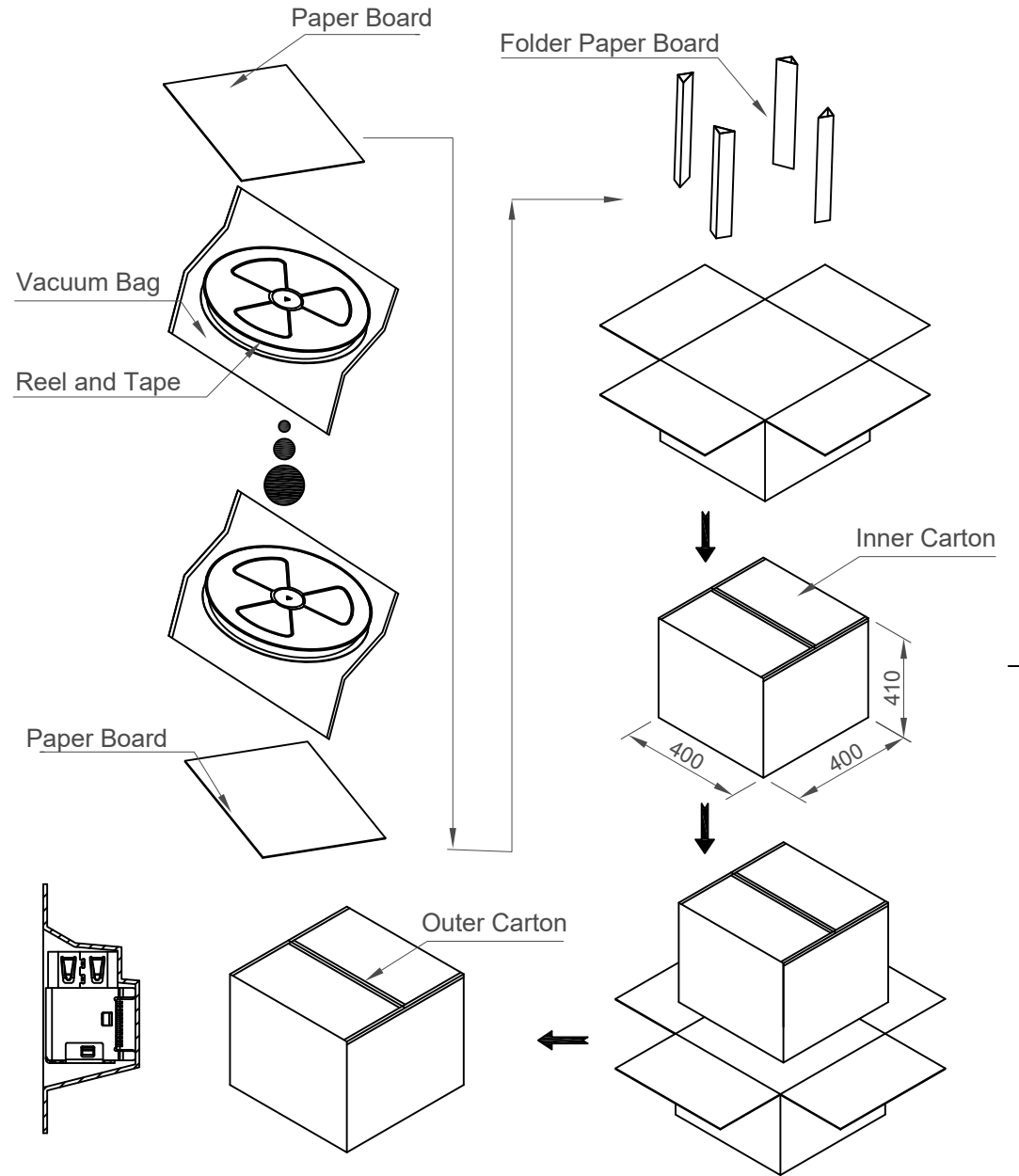
Peeling Angle

165°~180°



Direction of Unreeling

Pcs / Reel	Reels / Carton	Total Quantity
450	8	3600 pcs



Part Number		Product Description	
USB4200		USB3.2 Gen2, Type C Receptacle, Dual Row SMT, Flag Type, PCB Top Mount, 24 Pin	
Drawing Date		2nd March 2023	
By	CC	Tolerances (Except as Noted)	Units:
Detail	Drawing Release	Length	Metric (mm)
Revision	A	Angle	3rd Angle Projection
Date	06/03/23		



This drawing is confidential and copyright of Global Connector Technology, Ltd (GCT). This drawing must not be copied or disclosed without written consent. E & OE



Not to Scale	Drawn By CC	Sheet No. 3/3
--------------	-------------	---------------

Mouser Electronics

Authorized Distributor

Click to View Pricing, Inventory, Delivery & Lifecycle Information:

[Global Connector Technology \(GCT\):](#)

[USB4200-03-A](#)