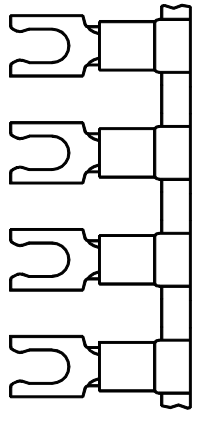
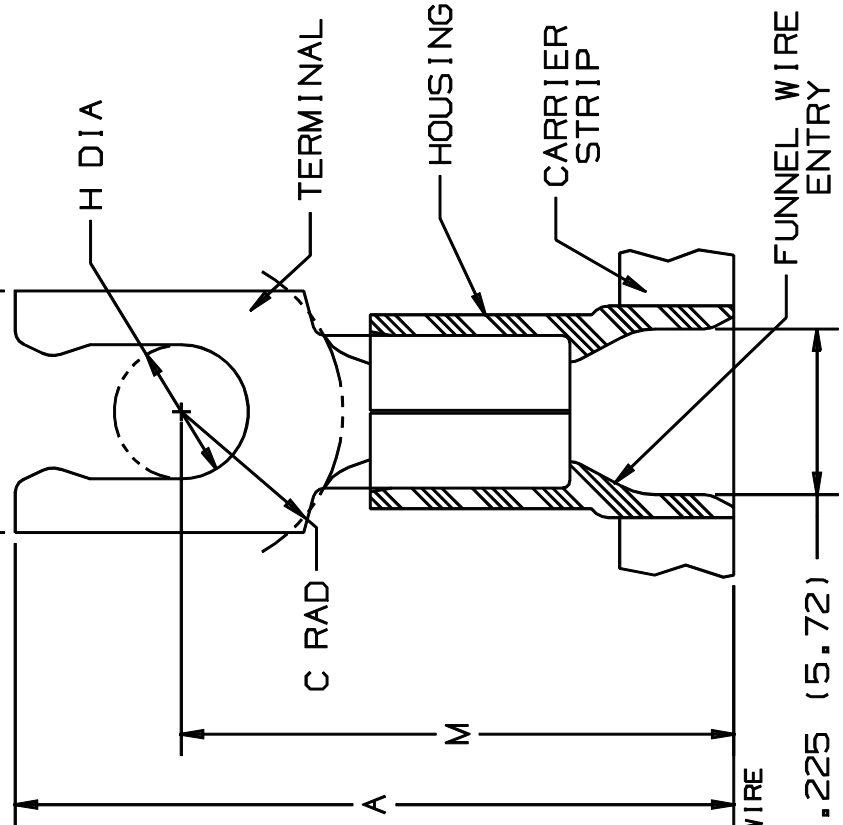


THIS COPY IS PROVIDED ON A RESTRICTED BASIS AND IS NOT TO BE USED IN ANY WAY DETRIMENTAL TO THE INTERESTS OF PANDUIT CORP.

PANDUIT PART NUMBER	STUD SIZE	DIMENSIONS in.				
		A ±.03	W ±.01	C ±.02	M ±.03	H ±.01
PV10-6LFB-2K	#6	1.02 (25.91)	.30 (7.62)	.21 (5.33)	.77 (19.56)	.14 (3.56)
PV10-8LFB-2K	#8	1.04 (26.42)	.30 (7.62)	.21 (5.33)	.77 (19.56)	.16 (4.06)
PV10-10LFB-2K	#10	1.04 (26.42)	.34 (8.64)	.21 (5.33)	.77 (19.56)	.19 (4.83)
PV10-14LFB-2K	1/4"	1.16 (29.46)	.46 (11.68)	.32 (8.13)	.88 (22.35)	.25 (6.35)



A41070-03

.225 (5.72)  
MAX. WIRE  
INSUL. DIA



CERTIFIED  
LR31212



LISTED  
587H  
E52164

- NOTES :
- UL LISTED AND CSA CERTIFIED FOR :  
A. 600 V MAX. VOLTAGE RATING  
B. 221°F (105°C) MAX. TEMP. RATING  
C. #12-10 AWG (2.5-6.0 mm<sup>2</sup>) SOLID OR STRANDED, COPPER WIRE
  - PACKAGE QTY. : 2K = 2000 PCS.  
CONTINUOUS MOLDED CARRIER STRIP
  - MATERIAL :  
A. STAMPING - .04" THK COPPER, TIN PLATED  
B. HOUSING - YELLOW VINYL
  - DIMENSIONS IN BRACKETS ARE IN MILLIMETERS
  - INSTALLATION TOOLS :  
A. PRESSES - CP-851, CP-860, CP-861  
B. APPLICATOR - CA-800  
C. DIE INSERTS - CD-800-3
  - WIRE STRIP LENGTH: 11/32 +.132 -0 (8.7 +0.8 -0)

PANDUIT CORP. TINLEY PARK, ILLINOIS		SCALE NONE		DRAWING NO. A41070	
3	12/00	ED	FILESPEC WAS: N41070CC_PCD_02	08925	
2	5-95	MS	UPDATED NOTES AND DIMENSIONS	03246	
1	3-88	DSM	REDRAWN ON CAD		
REV	DATE	BY	CHK	DESCRIPTION	